

T2111027101-001 ✓ ACTIVE

HDC | HDC HMN

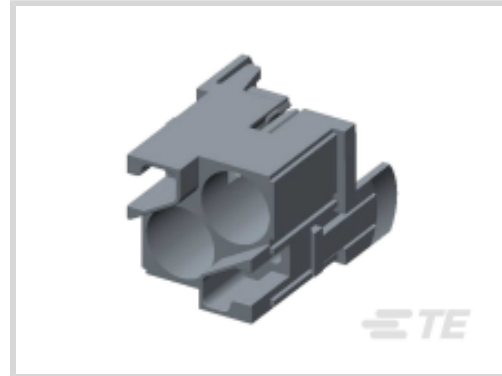
TE Internal #: T2111027101-001

Insert for Contacts, Pin, 2 Pole Configuration, Crimp Terminal, 26 – 14 AWG, 10 A, Power & Signal

[View on TE.com >](#)



Connectors > Rectangular Connectors > Rectangular Contact Inserts > HDC HMN Modular System, Rail Compliant



Rectangular Connector Insert Type: **Insert for Contacts**

Contact Type: **Pin**

Pole Configuration: **2**

Termination Method to Wire & Cable: **Crimp Terminal**

Number of Positions: **2**

[All HDC HMN Modular System, Rail Compliant \(111\)](#)

## Features

### Product Type Features

|                                   |                     |
|-----------------------------------|---------------------|
| Rectangular Connector Insert Type | Insert for Contacts |
| Sealable                          | No                  |

### Configuration Features

|                     |   |
|---------------------|---|
| Number of Positions | 2 |
|---------------------|---|

### Electrical Characteristics

|                       |      |
|-----------------------|------|
| Power Circuit Voltage | 50 V |
|-----------------------|------|

### Body Features

|                       |      |
|-----------------------|------|
| Primary Product Color | Gray |
|-----------------------|------|

### Contact Features

|                              |      |
|------------------------------|------|
| Contact Type                 | Pin  |
| Pole Configuration           | 2    |
| Contact Current Rating (Max) | 10 A |

### Termination Features

|                                    |                |
|------------------------------------|----------------|
| Termination Method to Wire & Cable | Crimp Terminal |
|------------------------------------|----------------|

### Dimensions

|           |             |
|-----------|-------------|
| Wire Size | 26 – 14 AWG |
|-----------|-------------|

## Operation/Application

Circuit Application

Power &amp; Signal

## Product Compliance

[For compliance documentation, visit the product page on TE.com>](#)

EU RoHS Directive 2011/65/EU

Compliant

EU ELV Directive 2000/53/EC

Compliant

China RoHS 2 Directive MIIT Order No 32, 2016

No Restricted Materials Above Threshold

EU REACH Regulation (EC) No. 1907/2006

Current ECHA Candidate List: JAN 2025  
(247)  
Candidate List Declared Against: JAN 2025  
(247)  
Does not contain REACH SVHC

Halogen Content

Low Bromine/Chlorine - Br and Cl < 900  
ppm per homogenous material. Also BFR  
/CFR/PVC Free

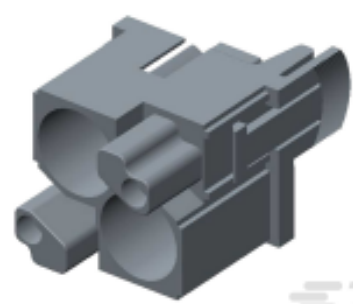
Solder Process Capability

Not reviewed for solder process capability

### Product Compliance Disclaimer

This information is provided based on reasonable inquiry of our suppliers and represents our current actual knowledge based on the information they provided. This information is subject to change. The part numbers that TE has identified as EU RoHS compliant have a maximum concentration of 0.1% by weight in homogenous materials for lead, hexavalent chromium, mercury, PBB, PBDE, DBP, BBP, DEHP, DIBP, and 0.01% for cadmium, or qualify for an exemption to these limits as defined in the Annexes of Directive 2011/65/EU (RoHS2). Finished electrical and electronic equipment products will be CE marked as required by Directive 2011/65/EU. Components may not be CE marked. Additionally, the part numbers that TE has identified as EU ELV compliant have a maximum concentration of 0.1% by weight in homogenous materials for lead, hexavalent chromium, and mercury, and 0.01% for cadmium, or qualify for an exemption to these limits as defined in the Annexes of Directive 2000/53/EC (ELV). Regarding the REACH Regulation, the information TE provides on SVHC in articles for this part number is based on the latest European Chemicals Agency (ECHA) 'Guidance on requirements for substances in articles' posted at this URL: <https://echa.europa.eu/guidance-documents/guidance-on-reach>

## Compatible Parts



TE Part # T2111027201-001  
HMN-Q2-F



TE Part # T2580031154-007  
PIN-Q2-M



TE Part # T1010061200-001  
H6B-DKTP



TE Part # T1010061200-000  
H6B-KDTP



TE Part # T1310060125-000  
H6B-TS-M25

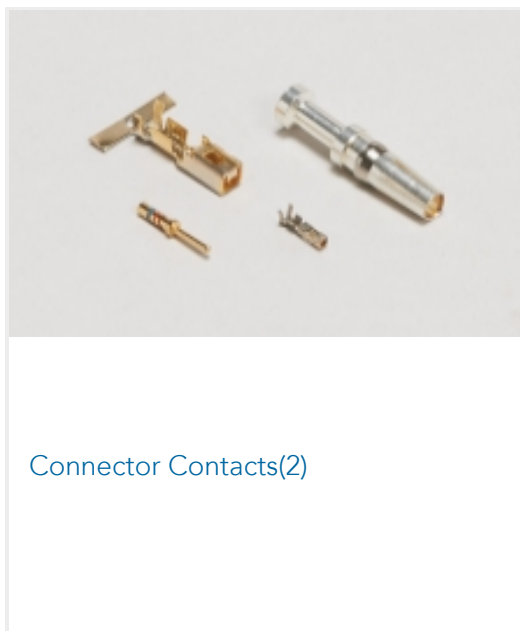


TE Part # T2070064101-000  
H6BN-T2-M



TE Part # T3609250102-000  
DLX-25-M

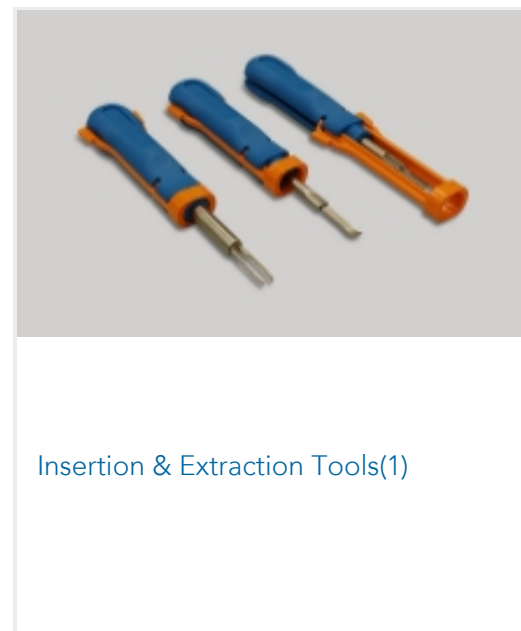
### Also in the Series | HDC HMN



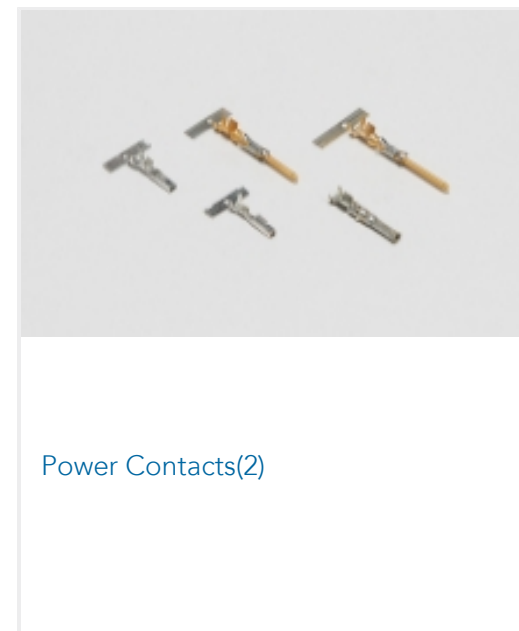
Connector Contacts(2)



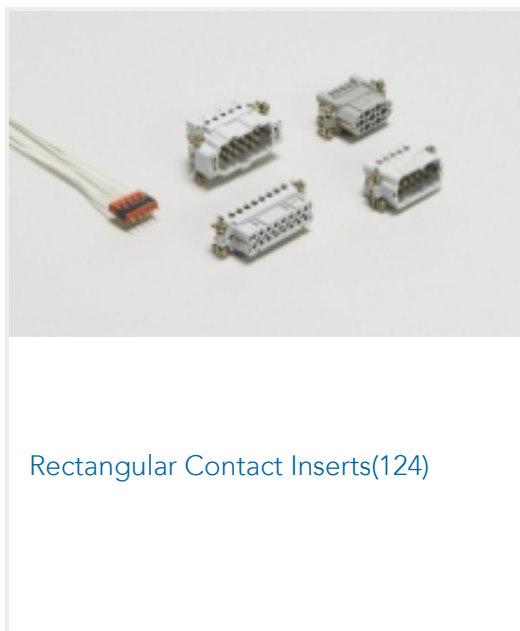
Connector Hardware(16)



Insertion & Extraction Tools(1)



Power Contacts(2)



Rectangular Contact Inserts(124)

### Customers Also Bought



TE Part #T2040162201-000  
HE-016-F



TE Part #T2010042101-000  
HA-004-M



TE Part #T2010102201-000  
HA-010-F



TE Part #T2040062101-000  
HE-006-M



TE Part #T1230240140-000  
H24B-TSH-M40



TE Part #T1010102100-000  
H10B-KDBP



TE Part #T2010102101-000  
HA-010-M



TE Part #T2050182101-000  
HEE-018-M



## Documents

### Product Drawings

[HMN-Q2-M](#)

English

### CAD Files

[3D PDF](#)

3D

Customer View Model

[ENG\\_CVM\\_CVM\\_T2111027101-001\\_B.2d\\_dxf.zip](#)

English

Customer View Model

[ENG\\_CVM\\_CVM\\_T2111027101-001\\_B.3d\\_igs.zip](#)

English

Customer View Model

[ENG\\_CVM\\_CVM\\_T2111027101-001\\_B.3d\\_stp.zip](#)

English

By downloading the CAD file I accept and agree to the [Terms and Conditions](#) of use.

### Datasheets & Catalog Pages

[Heavy Duty Connectors](#)

English

[HEAVY DUTY CONNECTORS](#)

English

[HEAVY DUTY CONNECTORS](#)

Japanese

### Product Specifications

[Application Specification](#)

English

### Agency Approvals

[UL](#)

English