

AXISENSE-2-003 ✕ OBSOLETE

MEAS | MEAS AXISENSE-2

TE Internal #: G-NSDOG2-003

TE Internal Description: AXISENSE-2 V-OUT-90 TILT SENSOR

FLOOR MT

AXISENSE-2 V-OUT TILT SENSOR FLOOR MOUNT

[View on TE.com >](#)



Sensors > Position Sensors > Tilt Sensors & Inclinometers > AXISENSE-2 V-OUT TILT SENSOR FLOOR MOUNT



Measurement Principle: **MEMS**

Sensor Package: **Plastic Housing**

Measurement Axes: **Dual Axis**

Measurement Ranges: **up to +/- 90 °**

Housing Width: **Up to 70 mm**

[All AXISENSE-2 V-OUT TILT SENSOR FLOOR MOUNT \(0\)](#)

Features

Product Type Features

| | |
|-----------------------|-----------------|
| Sensor Package | Plastic Housing |
| Interface Signal Type | Analog |

Configuration Features

| | |
|-----------------------|------------------|
| Electrical Connection | Connector TE/AMP |
|-----------------------|------------------|

Electrical Characteristics

| | |
|--------------------------|------------|
| Analog Interface Voltage | .5 – 4.5 V |
| Supply Voltage | 8 – 30 VDC |

Body Features

| | |
|---------------------|------------|
| Product Orientation | Horizontal |
|---------------------|------------|

Dimensions

| | |
|--------------------|-----------------|
| Resolution | up to +/- .01 ° |
| Measurement Ranges | up to +/- 90 ° |
| Housing Width | Up to 70 mm |
| Accuracy | up to +/- .5 ° |

Usage Conditions

| | |
|--|--|
| | |
|--|--|



| | |
|-----------------------------|---------------------------|
| Operating Temperature Range | -40 – 85 °C[-40 – 185 °F] |
|-----------------------------|---------------------------|

| | |
|-----------------------|------|
| Measurement Principle | MEMS |
|-----------------------|------|

Industry Standards

| | |
|-----------|------|
| IP Rating | IP67 |
|-----------|------|

Other

| | |
|------------------|-----------|
| Measurement Axes | Dual Axis |
|------------------|-----------|

Product Compliance

[For compliance documentation, visit the product page on TE.com>](#)

| | |
|------------------------------|---------------------------|
| EU RoHS Directive 2011/65/EU | Compliant with Exemptions |
|------------------------------|---------------------------|

| | |
|-----------------------------|-----------|
| EU ELV Directive 2000/53/EC | Compliant |
|-----------------------------|-----------|

| | |
|---|--------------------------------------|
| China RoHS 2 Directive MIIT Order No 32, 2016 | Restricted Materials Above Threshold |
|---|--------------------------------------|

| | |
|--|--|
| EU REACH Regulation (EC) No. 1907/2006 | <p>Current ECHA Candidate List: JAN 2025 (247)</p> <p>Candidate List Declared Against: JAN 2023 (233)</p> <p>SVHC > Threshold: Pb (.11% in Component Part)</p> <p>Article Safe Usage Statements: Do not eat, drink or smoke when using this product. Wash thoroughly after handling. Recycle if possible and dispose of the article by following all applicable governmental regulations relevant to your geographic location.</p> |
|--|--|

| | |
|-----------------|--------------------------------------|
| Halogen Content | Not Yet Reviewed for halogen content |
|-----------------|--------------------------------------|

| | |
|---------------------------|--|
| Solder Process Capability | Not applicable for solder process capability |
|---------------------------|--|

Product Compliance Disclaimer

This information is provided based on reasonable inquiry of our suppliers and represents our current actual knowledge based on the information they provided. This information is subject to change. The part numbers that TE has identified as EU RoHS compliant have a maximum concentration of 0.1% by weight in homogenous materials for lead, hexavalent chromium, mercury, PBB, PBDE, DBP, BBP, DEHP, DIBP, and 0.01% for cadmium, or qualify for an exemption to these limits as defined in the Annexes of Directive 2011/65/EU (RoHS2). Finished electrical and electronic equipment products will be CE marked as required by Directive 2011/65/EU. Components may not be CE marked. Additionally, the part numbers that TE has identified as EU ELV compliant have a maximum concentration of 0.1% by weight in homogenous materials for lead, hexavalent chromium, and mercury, and 0.01% for cadmium, or qualify for an exemption to these limits as defined in the Annexes of Directive 2000/53/EC (ELV). Regarding the REACH Regulation, the information TE provides on SVHC in articles for this part number is based on the latest European Chemicals Agency (ECHA) 'Guidance on requirements for substances in articles' posted at this URL: <https://echa.europa.eu/guidance-documents/guidance-on-reach>

Also in the Series | MEAS AXISENSE-2



Tilt Sensors & Inclinometers(2)

Customers Also Bought



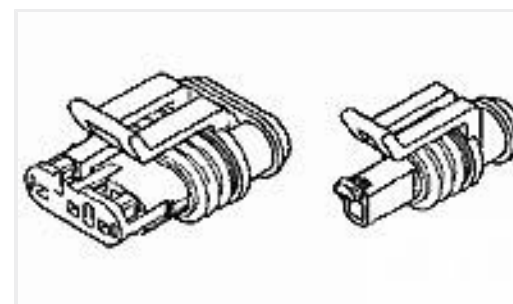
TE Part #1-2176158-4
TLM 2512 1.0W R01 1% 100PPM 4K RL



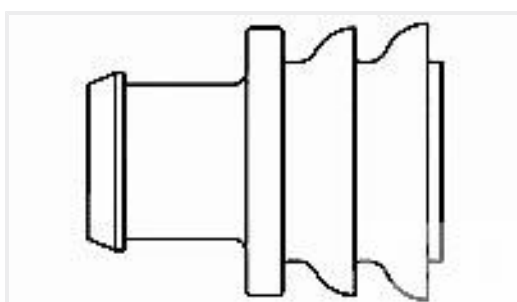
TE Part #650076-000
D-436-38



TE Part #HDT-48-00
CRIMP TOOL, HAND



TE Part #282088-1
AMP SUPERSEAL 1.5 SERIES 4P PL



TE Part #282081-1
RUBBER PLUG



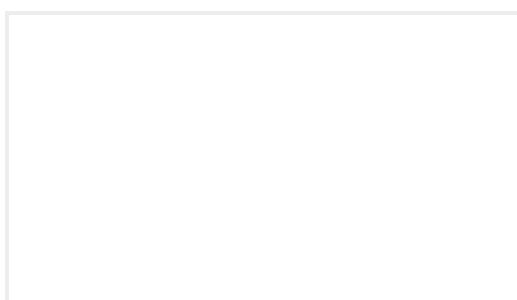
TE Part #0462-209-1631
SOC, SOLID, SIZE 16, 14AWG, AU



TE Part #1614898-2
CPF0805 15K 0.1% 25PPM 5K RL



TE Part #2-1609089-6
15ERK1=F4341



TE Part #920-627-163
Amplifier AM/FM/TV Jap (AGC)



TE Part #2174100-2
CAP HOUSING ASSEMBLY 130POS 0.5 /1.0

Documents

Product Drawings

[AXISENSE-2 V-OUT-90 TILT SENSOR FLOOR MT](#)

English

CAD Files

[3D PDF](#)

3D

[Customer View Model](#)

[ENG_CVM_CVM_G-NSDOG2-003_B.2d_dxf.zip](#)



English

Customer View Model

[ENG_CVM_CVM_G-NSDOG2-003_B.3d_igs.zip](#)

English

Customer View Model

[ENG_CVM_CVM_G-NSDOG2-003_B.3d_stp.zip](#)

English

By downloading the CAD file I accept and agree to the [Terms and Conditions](#) of use.

Product Specifications

[Application Specification](#)

English