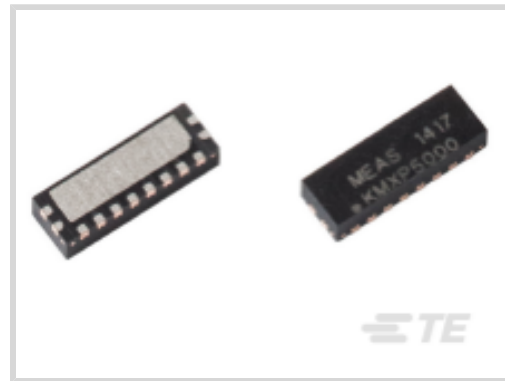




Sensors > Position Sensors > Magnetic Sensors > High Resolution AMR Sensors for Harsh Environments



Position Sensor Product Type: **Magnetic Linear Position Sensor**

Sensor Package: **DFN2x6**

Sensing Range: **2 mm**

Typical Signal Amplitude: **11 mV/V**

Typical Operating Voltage: **5 V**

[All High Resolution AMR Sensors for Harsh Environments \(6\)](#)

Features

Product Type Features

| | |
|------------------------------|---------------------------------|
| Position Sensor Product Type | Magnetic Linear Position Sensor |
| Sensor Package | DFN2x6 |

Electrical Characteristics

| | |
|---------------------------|------|
| Typical Operating Voltage | 5 V |
| Typical Average Current | 3 mA |

Usage Conditions

| | |
|-----------------------------|----------------------------|
| Sensing Range | 2 mm |
| Operating Temperature Range | -40 – 150 °C[-40 – 302 °F] |

Operation/Application

| | |
|--------------------------|---------|
| Typical Signal Amplitude | 11 mV/V |
|--------------------------|---------|

Product Compliance

[For compliance documentation, visit the product page on TE.com>](#)

| | |
|---|---|
| EU RoHS Directive 2011/65/EU | Compliant |
| EU ELV Directive 2000/53/EC | Compliant |
| China RoHS 2 Directive MIIT Order No 32, 2016 | No Restricted Materials Above Threshold |

EU REACH Regulation (EC) No. 1907/2006

Current ECHA Candidate List: JAN 2025
(247)

Candidate List Declared Against: JUN 2020
(209)

Does not contain REACH SVHC

Halogen Content

Not Yet Reviewed for halogen content

Solder Process Capability

Not reviewed for solder process capability

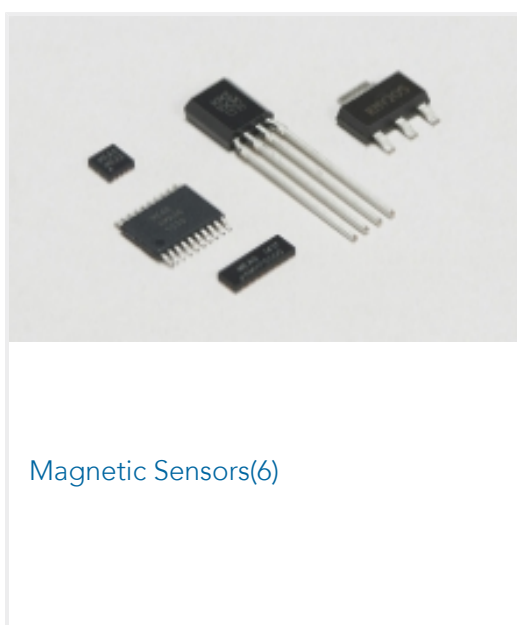
Product Compliance Disclaimer

This information is provided based on reasonable inquiry of our suppliers and represents our current actual knowledge based on the information they provided. This information is subject to change. The part numbers that TE has identified as EU RoHS compliant have a maximum concentration of 0.1% by weight in homogenous materials for lead, hexavalent chromium, mercury, PBB, PBDE, DBP, BBP, DEHP, DIBP, and 0.01% for cadmium, or qualify for an exemption to these limits as defined in the Annexes of Directive 2011/65/EU (RoHS2). Finished electrical and electronic equipment products will be CE marked as required by Directive 2011/65/EU. Components may not be CE marked. Additionally, the part numbers that TE has identified as EU ELV compliant have a maximum concentration of 0.1% by weight in homogenous materials for lead, hexavalent chromium, and mercury, and 0.01% for cadmium, or qualify for an exemption to these limits as defined in the Annexes of Directive 2000/53/EC (ELV). Regarding the REACH Regulation, the information TE provides on SVHC in articles for this part number is based on the latest European Chemicals Agency (ECHA) 'Guidance on requirements for substances in articles' posted at this URL: <https://echa.europa.eu/guidance-documents/guidance-on-reach>

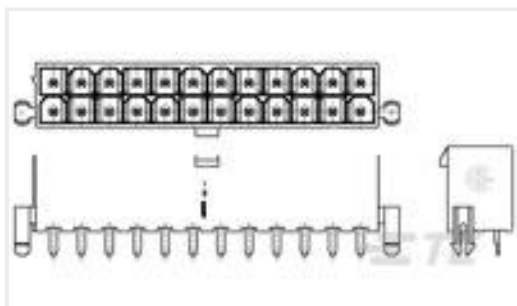
Compatible Parts



Also in the Series | MEAS KMXP



Customers Also Bought



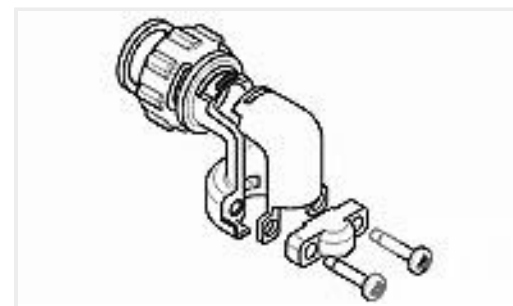
TE Part #2-1586039-4
24P VAL-U-LOK VRT HDR W/P V2



TE Part #499252-9
014 STRAIN RELIEF A-L RCPT



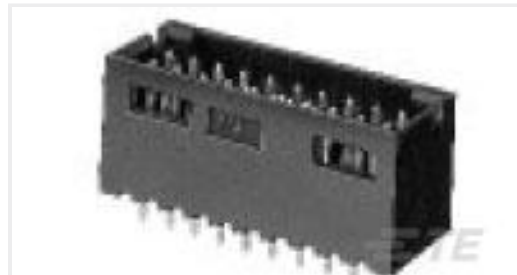
TE Part #BAT-HLD-012-THM
Battery Holder 1216 1225 THM Bulk Pack



TE Part #1546348-2
R/A CABLE CLAMP KIT, SZ 13, CPC Pack



TE Part #5-146257-5
10P MODII HDR DRST B/A LF



TE Part #5-102618-1
06 MODII HDR DRST SHRD .100CL



TE Part #1658622-9
40 NOVO MIL/CTR 30DP, LEAD FREE



TE Part #1-2176057-1
RLP73M 3A R027 1% 1K RL



TE Part #2-644486-2
02P MTA100 SHRDED HDR ASSY SN



TE Part #2041517-1
MINI USB, RCPT, V/T, DIP, B TYPE, 30u* Au

Documents

CAD Files

3D PDF

3D

Customer View Model

[ENG_CVM_CVM_G-MRCO-056_1.2d_dxf.zip](#)

English

Customer View Model

[ENG_CVM_CVM_G-MRCO-056_1.3d_igs.zip](#)

English

Customer View Model

[ENG_CVM_CVM_G-MRCO-056_1.3d_stp.zip](#)

English

By downloading the CAD file I accept and agree to the [Terms and Conditions](#) of use.