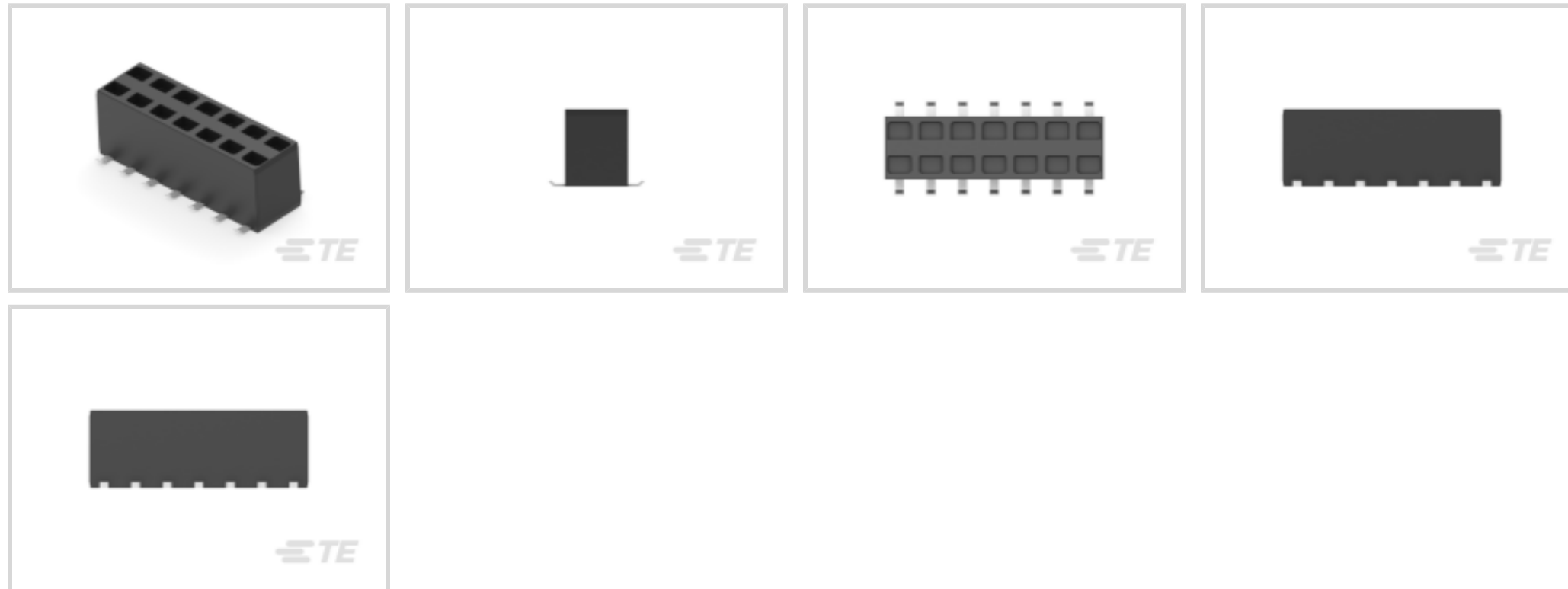




Connectors > PCB Connectors > PCB Headers & Receptacles



PCB Connector Type: **PCB Mount Receptacle**

PCB Mount Orientation: **Vertical**

Connector System: **Board-to-Board**

Number of Positions: **14**

Number of Rows: **2**

### Features

#### Product Type Features

PCB Connector Type	PCB Mount Receptacle
Connector System	Board-to-Board
Sealable	No
Connector & Contact Terminates To	Printed Circuit Board
Connector Product Type	Connector Assembly

#### Configuration Features

Board-to-Board Configuration	Parallel
Stackable	Yes
PCB Mount Orientation	Vertical
Number of Positions	14
Number of Rows	2

#### Body Features

Connector Profile	Standard
Primary Product Color	Black



### Contact Features

Mating Pin Diameter	.63 mm[.025 in]
Contact Mating Area Plating Material Thickness	.762 $\mu$ m[30 $\mu$ in]
Mating Square Post Dimension	.64 mm[.025 in]
PCB Contact Termination Area Plating Material Thickness	2.5 $\mu$ m
Contact Layout	Inline
Contact Protection Type	Closed Entry Housing
Contact Base Material	Phosphor Bronze
PCB Contact Termination Area Plating Material	Tin
Contact Mating Area Plating Material	Gold (Au)
Contact Type	Socket
Contact Current Rating (Max)	3 A

### Termination Features

Rectangular Termination Post & Tail Width	.7 mm[.027 in]
Rectangular Termination Post & Tail Thickness	.2 mm[.008 in]
Termination Method to PCB	Surface Mount

### Mechanical Attachment

PCB Mount Retention	Without
PCB Mount Alignment	Without
Connector Mounting Type	Board Mount
Mating Alignment	Without

### Housing Features

Mating Entry Location	Bottom & Top
Housing Material	LCP
Centerline (Pitch)	2.54 mm[.1 in]

### Dimensions

Row-to-Row Spacing	2.54 mm[.1 in]
Stack Height	9 mm[.354 in]
PCB Thickness (Recommended)	1.6 mm[.063 in]
Connector Height	6.2 mm[.244 in]

### Usage Conditions

Operating Temperature Range	-65 – 125 $^{\circ}$ C[-85 – 257 $^{\circ}$ F]
-----------------------------	--



**Operation/Application**

Solder Process Feature	Board Standoff
Circuit Application	Signal

**Industry Standards**

UL Flammability Rating	UL 94V-0
------------------------	----------

**Packaging Features**

Packaging Quantity	600
Packaging Method	Reel

**Product Compliance**

[For compliance documentation, visit the product page on TE.com>](#)

EU RoHS Directive 2011/65/EU	Compliant
EU ELV Directive 2000/53/EC	Compliant
China RoHS 2 Directive MIIT Order No 32, 2016	No Restricted Materials Above Threshold
EU REACH Regulation (EC) No. 1907/2006	Current ECHA Candidate List: JAN 2025 (247) Candidate List Declared Against: JAN 2025 (247) Does not contain REACH SVHC
Halogen Content	Low Halogen - Br, Cl, F, I < 900 ppm per homogenous material. Also BFR/CFR/PVC Free
Solder Process Capability	Reflow solder capable to 260°C

**Product Compliance Disclaimer**

This information is provided based on reasonable inquiry of our suppliers and represents our current actual knowledge based on the information they provided. This information is subject to change. The part numbers that TE has identified as EU RoHS compliant have a maximum concentration of 0.1% by weight in homogenous materials for lead, hexavalent chromium, mercury, PBB, PBDE, DBP, BBP, DEHP, DIBP, and 0.01% for cadmium, or qualify for an exemption to these limits as defined in the Annexes of Directive 2011/65/EU (RoHS2). Finished electrical and electronic equipment products will be CE marked as required by Directive 2011/65/EU. Components may not be CE marked. Additionally, the part numbers that TE has identified as EU ELV compliant have a maximum concentration of 0.1% by weight in homogenous materials for lead, hexavalent chromium, and mercury, and 0.01% for cadmium, or qualify for an exemption to these limits as defined in the Annexes of Directive 2000/53/EC (ELV). Regarding the REACH Regulation, the information TE provides on SVHC in articles for this part number is based on the latest European Chemicals Agency (ECHA) 'Guidance on requirements for substances in articles' posted at this URL: <https://echa.europa.eu/guidance-documents/guidance-on-reach>

**Compatible Parts**



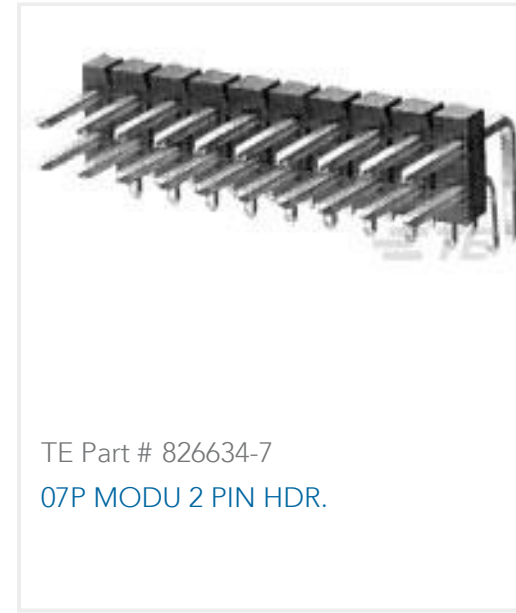
TE Part # 826632-7  
7P AMPMODU II PIN HDR.



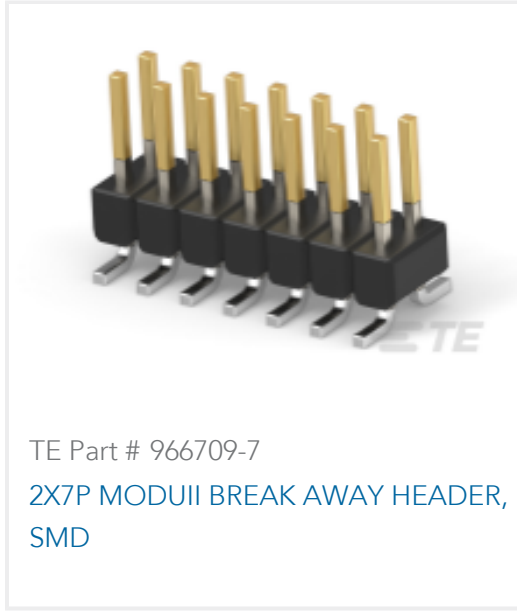
TE Part # 826658-7  
7P AMPMODU II STIFT LEI



TE Part # 5-147279-3  
14 MODII HDR DR SFMT B/A T&R LF



TE Part # 826634-7  
07P MODU 2 PIN HDR.



TE Part # 966709-7  
2X7P MODU II BREAK AWAY HEADER, SMD



TE Part # 1241050-7  
2x7P MOD II BREAK AWAY HDR, SMD, BLISTER



TE Part # 829394-7  
2X7P MOD II UNSHRD HDR, ST, 0.8 AU

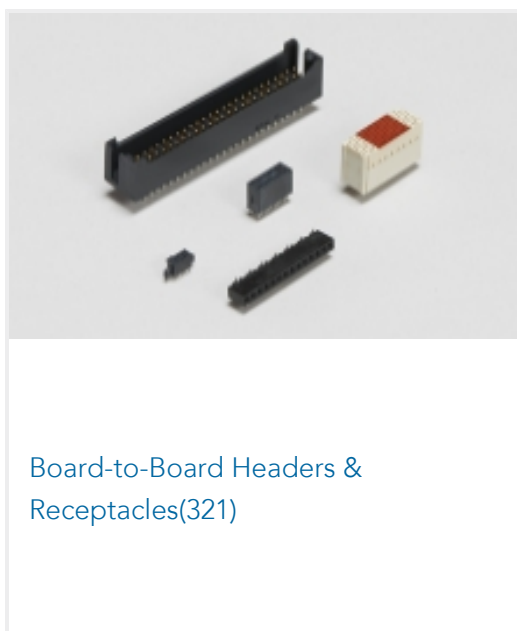


TE Part # 826656-7  
7P AMPMODU II STIFT LEI



TE Part # 5-103326-7  
14 MODII HDR DRRA B/A .100CL

Also in the Series | **AMPMODU HV-100/HV-190**



Board-to-Board Headers & Receptacles(321)



PCB Headers & Receptacles(321)

Customers Also Bought



TE Part #6-520315-5  
TRIOMATE ASY V 15P LDFR



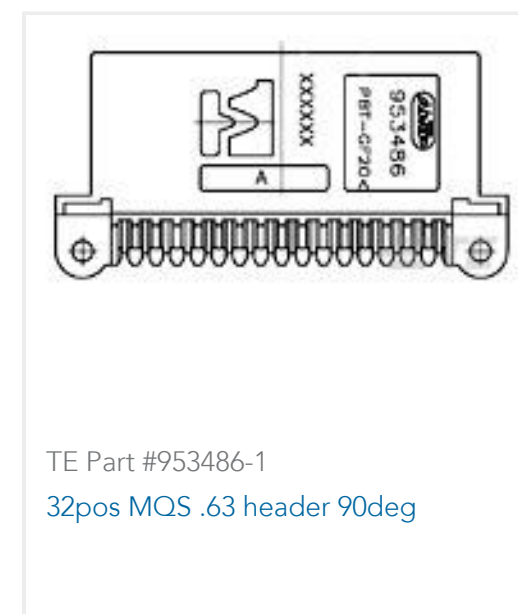
TE Part #5747461-6  
HD-20 RCPT 25P RA 590 FFSCRLK



TE Part #T4041037041-000  
M8.FMLE.PNLREAR.4POS.STR PCBSHLD



TE Part #8-2176230-8  
3522 300R 5% 3W



## Documents

### Product Drawings

[2x7P HV100 REC. CON, SMD, GOLD, BLISTER](#)

English

### CAD Files

Customer View Model

[ENG\\_CVM\\_CVM\\_969973-7\\_E.2d\\_dxf.zip](#)

English

3D PDF

3D

Customer View Model

[ENG\\_CVM\\_CVM\\_969973-7\\_E.3d\\_igs.zip](#)

English

Customer View Model

[ENG\\_CVM\\_CVM\\_969973-7\\_E.3d\\_stp.zip](#)

English

By downloading the CAD file I accept and agree to the [Terms and Conditions](#) of use.