



AMP | Micro Power Quadlock

TE Internal #: 968679-2

Receptacle Terminal, 22 – 20 AWG, .35 – .5 mm² Wire, 2.8 mm [.11 in] Tab Width, Tin (Sn), .63 mm [.024 in] Tab Thickness, Micro Power Quadlock

[View on TE.com >](#)

Terminals & Splices > Automotive Terminals > MQS, RECEPTACLE AND TAB



Terminal Type: **Receptacle**

Wire Size: **22 – 20 AWG**

Mating Tab Width: **2.8 mm [.11 in]**

Interface Plating: **Tin (Sn)**

[All MQS, RECEPTACLE AND TAB \(96\)](#)

Features

Product Type Features

Receptacle Style	180°
Primary Locking Feature	Locking Lance
Sealable	No

Contact Features

Typical Current Rating	34 A
Crimp Type	F-Crimp
Contact Size	2.8mm
Contact Fabrication	Stamped & Formed
Wire Contact Termination Area Plating Material	Tin
Terminal Type	Receptacle
Mating Tab Width	2.8 mm[.11 in]
Interface Plating	Tin (Sn)
Mating Tab Thickness	.63 mm[.024 in]

Termination Features

Termination Method to Wire & Cable	Crimp
Product Terminates To	Wire

Dimensions

--	--



Compatible Insulation Diameter Range	1.1 – 1.6 mm [.043 – .063 in]
Wire Size	22 – 20 AWG
Wire Size Search	.35 mm ² , .4 mm ² , .5 mm ²

Usage Conditions

Insulation Option	Uninsulated
Operating Temperature (Max)	125 °C [212 °F]
Operating Temperature Range	-40 – 130 °C [-40 – 266 °F]

Operation/Application

Compatible With Wire Base Material	Copper
Conforms to Automation Guideline	Yes, DIN 72036 Automation of Wiring Harness Production, Version June 2024, Yes, KOMAX Guideline for automatic component insertion for electrical connections, Version 5.0 (March 2018)

Industry Standards

Compatible With Agency/Standards Products	LV214
---	-------

Packaging Features

Packaging Method	Reel
Packaging Quantity	5000

Other

Terminal Transmits	25 – 40 A (Power)
--------------------	-------------------

Product Compliance

[For compliance documentation, visit the product page on TE.com>](#)

EU RoHS Directive 2011/65/EU	Compliant
EU ELV Directive 2000/53/EC	Compliant
China RoHS 2 Directive MIIT Order No 32, 2016	No Restricted Materials Above Threshold
EU REACH Regulation (EC) No. 1907/2006	Current ECHA Candidate List: JAN 2025 (247) Candidate List Declared Against: JAN 2025 (247) Does not contain REACH SVHC
Halogen Content	Low Halogen - Br, Cl, F, I < 900 ppm per homogenous material. Also BFR/CFR/PVC Free
Solder Process Capability	Not applicable for solder process capability

Product Compliance Disclaimer

This information is provided based on reasonable inquiry of our suppliers and represents our current actual knowledge based on the information they provided. This information is subject to change. The part numbers that TE has identified as EU RoHS compliant have a maximum concentration of 0.1% by weight in homogenous materials for lead, hexavalent chromium, mercury, PBB, PBDE, DBP, BBP, DEHP, DIBP, and 0.01% for cadmium, or qualify for an exemption to these limits as defined in the Annexes of Directive 2011/65/EU (RoHS2). Finished electrical and electronic equipment products will be CE marked as required by Directive 2011/65/EU. Components may not be CE marked. Additionally, the part numbers that TE has identified as EU ELV compliant have a maximum concentration of 0.1% by weight in homogenous materials for lead, hexavalent chromium, and mercury, and 0.01% for cadmium, or qualify for an exemption to these limits as defined in the Annexes of Directive 2000/53/EC (ELV). Regarding the REACH Regulation, the information TE provides on SVHC in articles for this part number is based on the latest European Chemicals Agency (ECHA) 'Guidance on requirements for substances in articles' posted at this URL: <https://echa.europa.eu/guidance-documents/guidance-on-reach>

Compatible Parts



TE Part # 5-1579018-4
EXTRACTION TOOL



TE Part # 2151045-1
OCEAN_2.0_APPLICATOR-S-062F090F-RSM



TE Part # 539711-1
HAND TOOL,PRO-CRIMPER,MPQ 0,35-0,5SQ.MM



TE Part # 7-2151045-7
OCEAN_2.0_SPARE_PART_KIT-062F090F



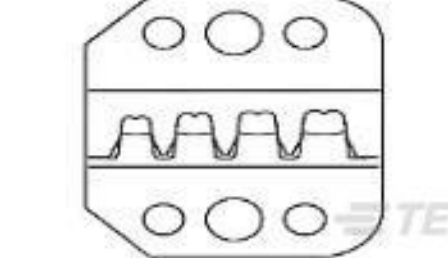
TE Part # 2151045-2
OCEAN_2.0_APPLICATOR-S-062F090F-RSA



TE Part # 2305570-1
Strip Terminal Cutter-Side Feed-No Crimp




TE Part # 6-1579007-3
EXTRACTION TOOL

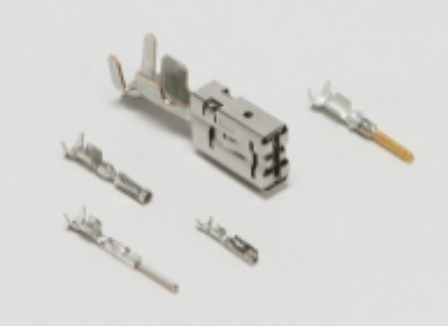


TE Part # 539711-2
MATR. MPQ 0,35-0,5


Also in the Series | Micro Power Quadlock



Automotive Housings(1)



Automotive Terminals(13)



Insertion & Extraction Tools(1)

Customers Also Bought



TE Part #1241380-3
AMP MCP 1.5K, CONTACT, SWS



TE Part #2203242-1
Contact, female, 0.64, CuNiSi, 20-22AWG



TE Part #2312114-1
14POS, NANOMQS, REC HSG ASSY, COD A



TE Part #2050994-1
JPT 3POS SEALED PLUG ASSY, COD A



TE Part #968072-2
PQ5, 2 Sn rec LL unseal. >1,0-2,5



TE Part #4-2098269-6
10P Plug Assembly (2x5), Gener



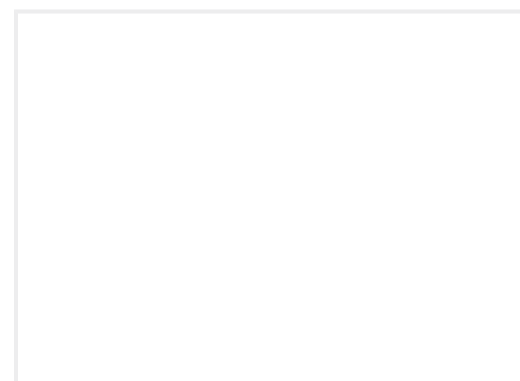
TE Part #2-2141047-5
6POS MIXED MQS REC COD B



TE Part #1-2141857-1
AMP MCP 2.8, CONTACT



TE Part #544471-E
SRCROL A 2,54 2 C2022 10TS 137 * IGF J 2



TE Part #ER6729-000
D-436-82CS9376

Documents

Product Drawings

[MPQ 2.8 Sn Tab. LL unsealed >0.35-0.5mm²](#)

English

[MPQ 2.8 Sn Tab. LL unsealed >0.35-0.5mm²](#)

English

CAD Files

[3D PDF](#)

3D

Customer View Model

[ENG_CVM_CVM_968679-2_A.2d_dxf.zip](#)

English

Customer View Model

[ENG_CVM_CVM_968679-2_A.3d_igs.zip](#)

English

Customer View Model

[ENG_CVM_CVM_968679-2_A.3d_stp.zip](#)

English

By downloading the CAD file I accept and agree to the [Terms and Conditions](#) of use.



Product Specifications

Application Specification

German

Application Specification

English