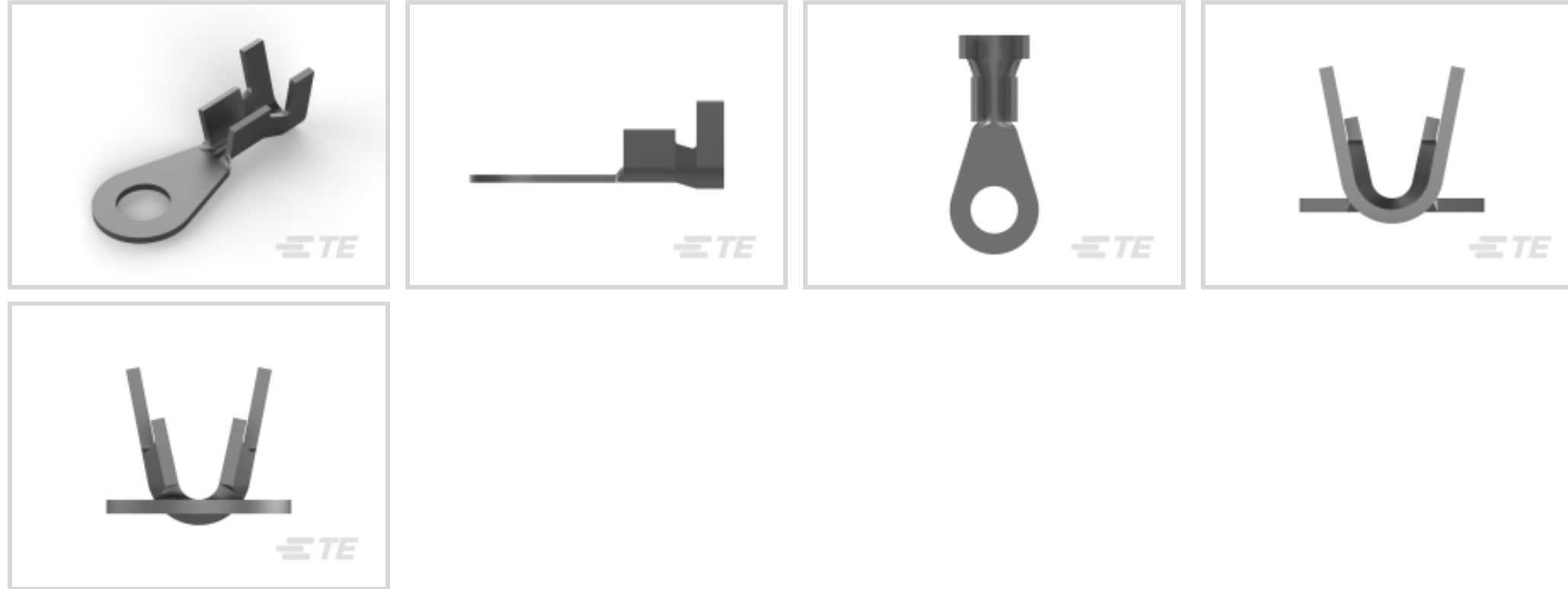


TE Internal #: 880642-2
 Closed Ring Tongue Terminal, 17 – 13 AWG, #8 / M4 Stud, 4.3 mm
 [.169 in] Stud Diameter, Open Barrel, Straight, Tin Plating,
 Uninsulated

[View on TE.com >](#)



Terminals & Splices > Ring Terminals



Ring Terminal Product Type: **Closed Ring Tongue Terminal**

Wire Size: **2048 – 5178 CMA**

Stud Size: **#8, M4**

Features

Product Type Features

Shape Description	RING-001
Terminal Features	Sheared
Ring Terminal Product Type	Closed Ring Tongue Terminal
Stud Size	#8, M4
Sealable	No
Compatible With Discrete Wire Type	Stranded
Wire Insulation Support Retention Type	Insulation Support

Configuration Features

Number of Holes	2
-----------------	---

Body Features

Product Weight	.678 g
----------------	--------

Contact Features

Barrel Type	Open
Terminal Orientation	Straight
Terminal Plating Material	Tin

Mechanical Attachment



Wire Insulation Support	With
-------------------------	------

Dimensions

Wire Size	2048 – 5178 CMA
Stud Diameter	4.3 mm [.169 in]
Tongue Thickness	.6 mm [.023 in]
Product Length	19.8 mm [.779 in]
Barrel Inside Diameter	1.82 mm, 3.32 mm [.071 in] [.13 in]
Compatible Insulation Diameter (Max)	3.99 mm [.157 in]
Compatible Insulation Diameter Range	2.7 – 4 mm [.106 – .157 in]

Usage Conditions

Insulation Option	Uninsulated
Operating Temperature Range	-40 – 105 °C [-40 – 221 °F]

Operation/Application

Compatible With Wire Base Material	Copper
------------------------------------	--------

Industry Standards

Government Qualified Terminal	No
-------------------------------	----

Packaging Features

Packaging Quantity	5000
Packaging Method	Tape & Reel

Product Compliance

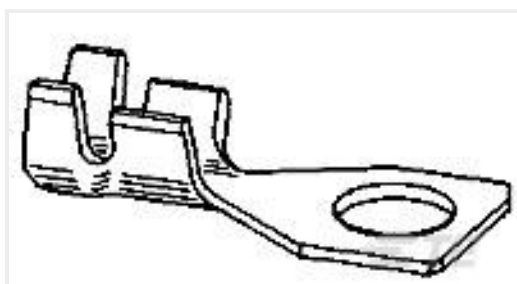
[For compliance documentation, visit the product page on TE.com>](#)

EU RoHS Directive 2011/65/EU	Compliant
EU ELV Directive 2000/53/EC	Compliant
China RoHS 2 Directive MIIT Order No 32, 2016	No Restricted Materials Above Threshold
EU REACH Regulation (EC) No. 1907/2006	Current ECHA Candidate List: JAN 2025 (247) Candidate List Declared Against: JAN 2025 (247) Does not contain REACH SVHC
Halogen Content	Low Halogen - Br, Cl, F, I < 900 ppm per homogenous material. Also BFR/CFR/PVC Free
Solder Process Capability	Not applicable for solder process capability

Product Compliance Disclaimer

This information is provided based on reasonable inquiry of our suppliers and represents our current actual knowledge based on the information they provided. This information is subject to change. The part numbers that TE has identified as EU RoHS compliant have a maximum concentration of 0.1% by weight in homogenous materials for lead, hexavalent chromium, mercury, PBB, PBDE, DBP, BBP, DEHP, DIBP, and 0.01% for cadmium, or qualify for an exemption to these limits as defined in the Annexes of Directive 2011/65/EU (RoHS2). Finished electrical and electronic equipment products will be CE marked as required by Directive 2011/65/EU. Components may not be CE marked. Additionally, the part numbers that TE has identified as EU ELV compliant have a maximum concentration of 0.1% by weight in homogenous materials for lead, hexavalent chromium, and mercury, and 0.01% for cadmium, or qualify for an exemption to these limits as defined in the Annexes of Directive 2000/53/EC (ELV). Regarding the REACH Regulation, the information TE provides on SVHC in articles for this part number is based on the latest European Chemicals Agency (ECHA) 'Guidance on requirements for substances in articles' posted at this URL: <https://echa.europa.eu/guidance-documents/guidance-on-reach>

Compatible Parts



TE Part # 180389-2
TERM PLACA CUADRADA DIA 4



TE Part # 7-2150568-7
OCEAN_2.0_SPARE_PART_KIT-130F180F



TE Part # 444155-2
RING TONGUE 1-5 MM2 0.6 ELECTRO TPBR



TE Part # 2150568-2
OCEAN_2.0_APPLICATOR-E-130F180F-REA



TE Part # 2150568-1
OCEAN_2.0_APPLICATOR-E-130F180F-REM

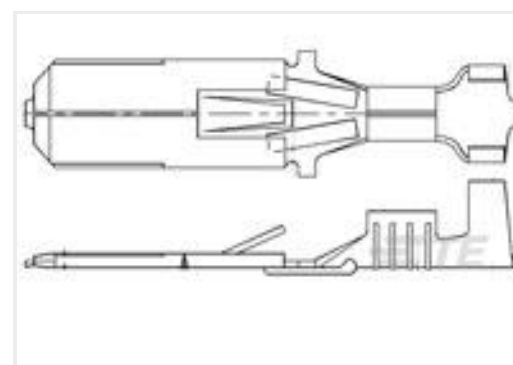
Customers Also Bought



TE Part #175778-6
CT CRIMP REC HSG 6P NATURAL



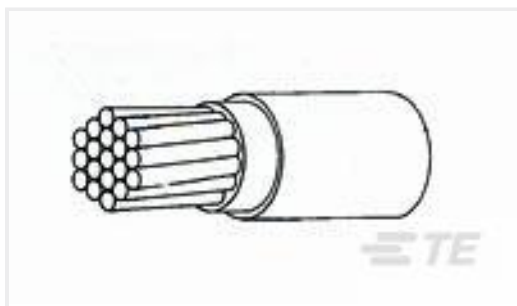
TE Part #CAT-T319-CH8172
TH/.025 CONNECTOR SYSTEM, HOUSING



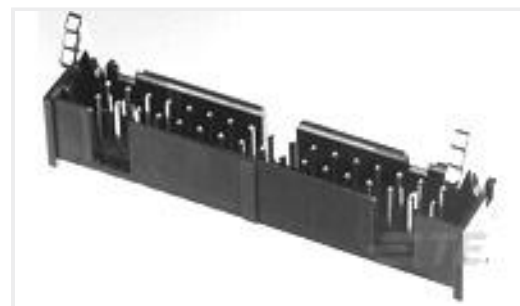
TE Part #280081-2
FF 250 TAB 0.8-2MM2 TPBR



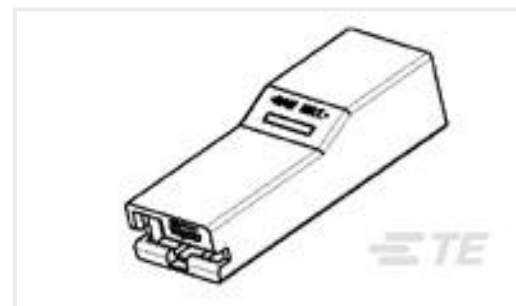
TE Part #374336-E
DRCTBUG B 2,54 20 * CSI 163 E012 ADV J 2



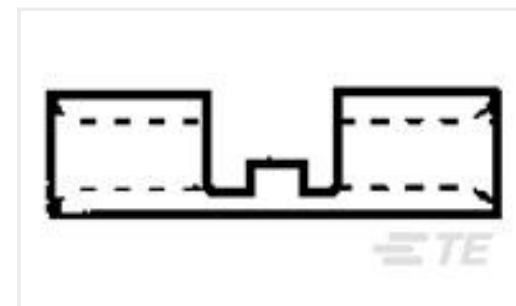
TE Part #283878-000
44A0111-10-9



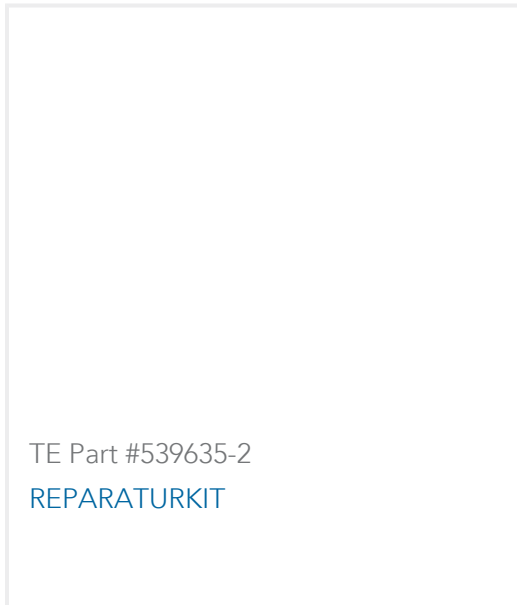
TE Part #2-1761608-1
IDC LOW PRO HDR 6P VERT SHT LA



TE Part #280232-8
250 FASTON POST INS.,REC.,1 POS,
NATURAL



TE Part #322822
SOLIS BUTT HR 22-16COM22-18MIL



TE Part #539635-2
REPARATURKIT

Documents

Product Drawings

[RING TONGUE 1.0-2.5 MM2 0.61X14.60 TPBR](#)

English

CAD Files

[3D PDF](#)

3D

Customer View Model

[ENG_CVM_CVM_880642-2_A.2d_dxf.zip](#)

English

Customer View Model

[ENG_CVM_CVM_880642-2_A.3d_igs.zip](#)

English

Customer View Model

[ENG_CVM_CVM_880642-2_A.3d_stp.zip](#)

English

Customer View Model

[ENG_CVM_880642-2_B.3d_igs.zip](#)

English

Customer View Model

[ENG_CVM_880642-2_B.3d_stp.zip](#)

English

Customer View Model

[ENG_CVM_880642-2_B.2d_dxf.zip](#)

English

[3D PDF](#)

English



By downloading the CAD file I accept and agree to the [Terms and Conditions](#) of use.

Product Specifications

Product Specification

English

Product Specification

English

Product Specification

English