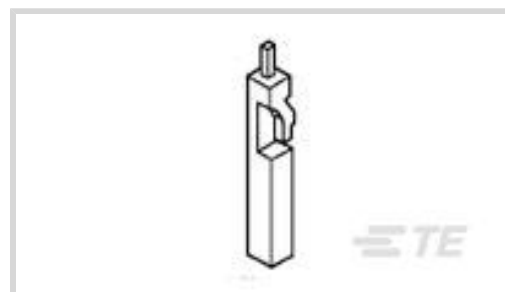




Connectors > Connector Accessories > Connector Hardware



Connector Hardware Accessory Type: **Keying Plug**

Primary Product Color: **Natural**

Operating Temperature (Max): **105 °C [ 221 °F ]**

Operating Temperature Range: **-65 – 105 °C [ -85 – 221 °F ]**

Hardware Accessory Function: **Coding & Keying**

## Features

### Product Type Features

Connector Hardware Accessory Type	Keying Plug
Hardware Accessory Function	Coding & Keying

### Body Features

Primary Product Color	Natural
-----------------------	---------

### Usage Conditions

Operating Temperature (Max)	105 °C[221 °F]
Operating Temperature Range	-65 – 105 °C[-85 – 221 °F]

### Industry Standards

UL Flammability Rating	UL 94V-0
------------------------	----------

### Packaging Features

Packaging Method	Box
Packaging Quantity	10000

## Product Compliance

[For compliance documentation, visit the product page on TE.com>](#)

EU RoHS Directive 2011/65/EU	Compliant
EU ELV Directive 2000/53/EC	Compliant
China RoHS 2 Directive MIIT Order No 32, 2016	No Restricted Materials Above Threshold
EU REACH Regulation (EC) No. 1907/2006	

Current ECHA Candidate List: JAN 2025  
(247)

Candidate List Declared Against: JAN 2025  
(247)

Does not contain REACH SVHC

Halogen Content

Low Halogen - Br, Cl, F, I < 900 ppm per homogenous material. Also BFR/CFR/PVC Free

Solder Process Capability

Not applicable for solder process capability

Product Compliance Disclaimer

This information is provided based on reasonable inquiry of our suppliers and represents our current actual knowledge based on the information they provided. This information is subject to change. The part numbers that TE has identified as EU RoHS compliant have a maximum concentration of 0.1% by weight in homogenous materials for lead, hexavalent chromium, mercury, PBB, PBDE, DBP, BBP, DEHP, DIBP, and 0.01% for cadmium, or qualify for an exemption to these limits as defined in the Annexes of Directive 2011/65/EU (RoHS2). Finished electrical and electronic equipment products will be CE marked as required by Directive 2011/65/EU. Components may not be CE marked. Additionally, the part numbers that TE has identified as EU ELV compliant have a maximum concentration of 0.1% by weight in homogenous materials for lead, hexavalent chromium, and mercury, and 0.01% for cadmium, or qualify for an exemption to these limits as defined in the Annexes of Directive 2000/53/EC (ELV). Regarding the REACH Regulation, the information TE provides on SVHC in articles for this part number is based on the latest European Chemicals Agency (ECHA) 'Guidance on requirements for substances in articles' posted at this URL: <https://echa.europa.eu/guidance-documents/guidance-on-reach>

## Compatible Parts



TE Part # 280512  
AMPMODU II REC. HSG, SINGLE ROW, 9 POS.



TE Part # 280368  
AMPMODU II REC. HSG, DUAL ROW, 30 POS.



TE Part # 280363  
AMPMODU II REC. HSG, SINGLE ROW, 15 POS.



TE Part # 280513  
AMPMODU II REC. HSG, DUAL ROW, 18 POS.



TE Part # 280365  
AMPMODU, DBL ROW, CONTACT REC.



TE Part # 280358  
AMPMODU II REC. HSG, SINGLE ROW 2 POS.



TE Part # 280364  
AMPMODU II COSI REC. HSG, SGL ROW, 22POS.



TE Part # 280361  
AMPMODU II REC. HSG, SINGLE ROW 8 POS.



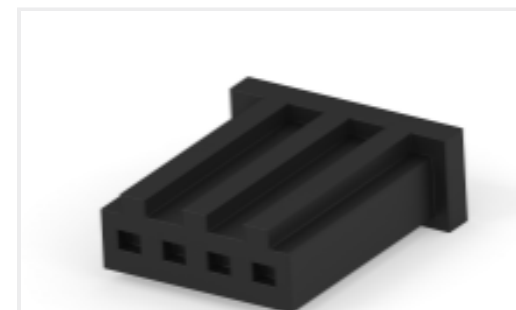
TE Part # 280369  
AMPMODU II REC. HSG, DUAL ROW, 44 POS.



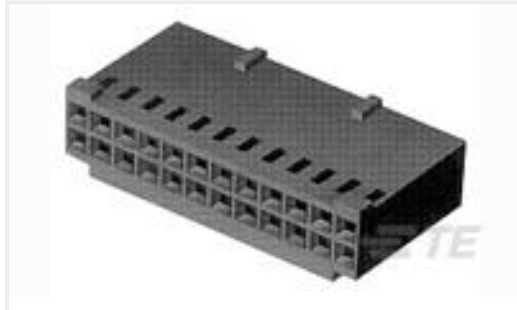
TE Part # 280362  
AMPMODU II REC. HSG, SINGLE ROW, 10 POS.



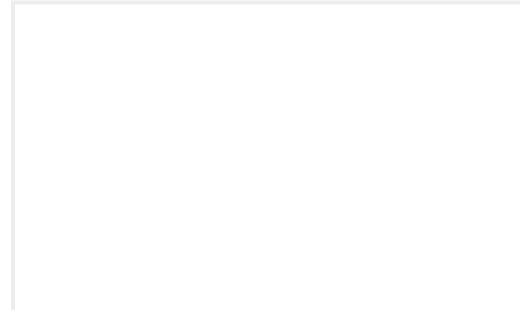
TE Part # 280514  
AMPMODU II REC. HSG, SINGLE ROW, 12 POS.



TE Part # 280359  
AMPMODU II REC. HSG, SINGLE ROW, 4 POS.



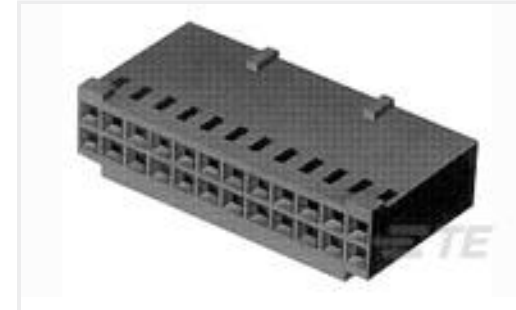
TE Part # 281018  
AMPMODU II REC. HSG, DUAL ROW, 36 POS.



TE Part # 284123-1  
AMPMODU II REC. HSG, DUAL ROW, 10 POS.



TE Part # 280366  
AMPMODU II REC. HSG DUAL ROW, 16 POS.



TE Part # 280515  
AMPMODU II REC. HSG, DUAL ROW, 24 POS.



TE Part # 280360  
AMPMODU II REC. HSG, SINGLE ROW 6 POS

## Also in the Series | AMPMODU IV/V



Board-to-Board Headers & Receptacles(517)



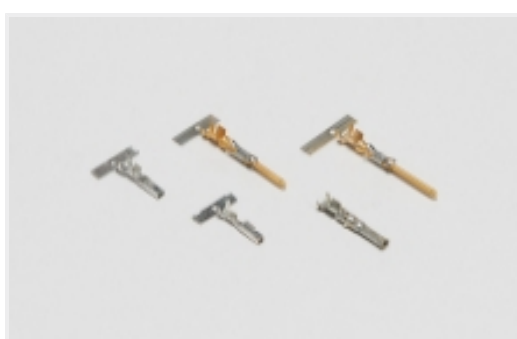
Connector Caps & Covers(11)



Connector Contacts(270)



Connector Hardware(10)



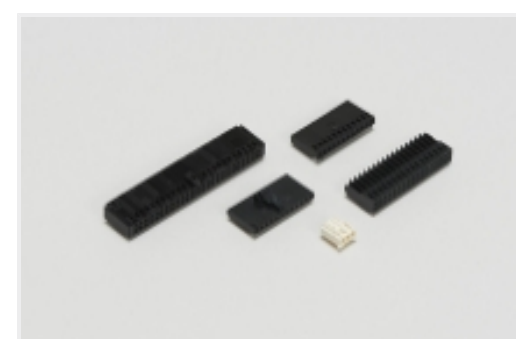
Power Contacts(206)



Rectangular Connector Housings(5)



Standard Rectangular Connectors(8)

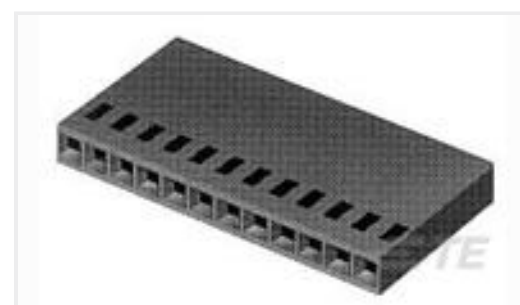


Wire-to-Board Connector Assemblies & Housings(393)

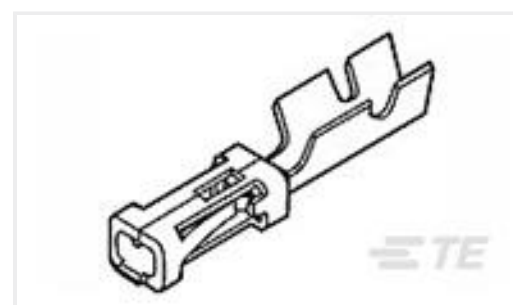
## Customers Also Bought



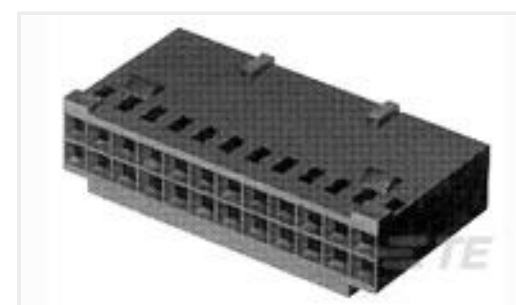
TE Part #1-87499-7  
10 MODIV HSG SR MRKD .100CL



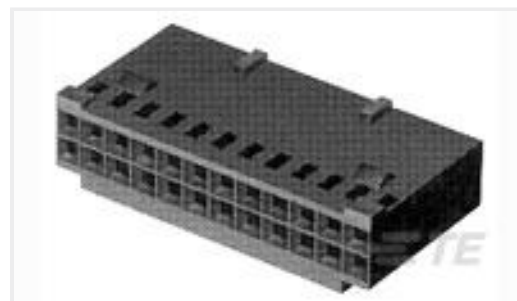
TE Part #1-87499-3  
08 MODIV HSG SR MRKD .100CL



TE Part #102548-6  
MOD IV RECP LP



TE Part #2-87631-8  
32 MODIV HSG DR MRKD .100 POL



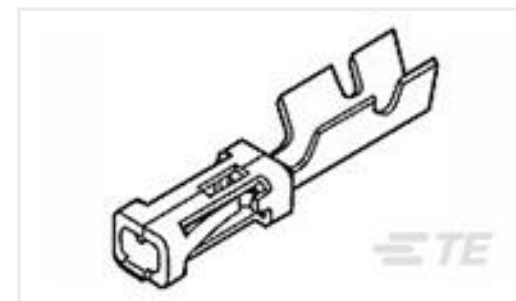
TE Part #1-87631-6  
20 MODIV HSG DR MRKD .100 POL



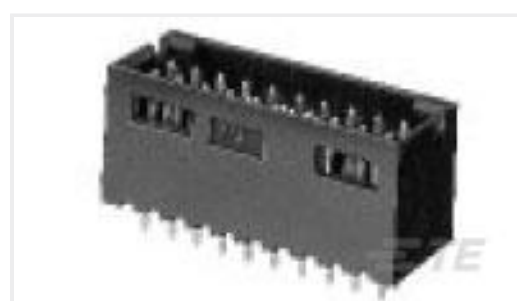
TE Part #280361  
AMPMODU II REC. HSG, SINGLE  
ROW 8 POS



TE Part #204521-2  
AMPLIMITE,ASY,PLUG,STD,90,5



TE Part #1-87756-6  
MOD IV RECP LP



TE Part #1-103168-8  
40 MODII HDR DRST SHRD .100CL



TE Part #2-87631-4  
28 MODIV HSG DR MRKD .100 POL

## Documents

### Product Drawings

#### MOD IV KEYING PLUG

English

### CAD Files

#### 3D PDF

English

#### Customer View Model

[ENG\\_CVM\\_87077-2\\_C.2d\\_dxf.zip](#)

English

#### Customer View Model

[ENG\\_CVM\\_87077-2\\_C.3d\\_igs.zip](#)

English

#### Customer View Model

[ENG\\_CVM\\_87077-2\\_C.3d\\_stp.zip](#)

English

By downloading the CAD file I accept and agree to the [Terms and Conditions](#) of use.

### Datasheets & Catalog Pages



[AMPMODU\\_INTERCONNECTION\\_SYSTEM\\_SECTION5\\_CONT](#)

English

[1-1773720-9\\_AMPMODU\\_MOD\\_IV\\_V\\_ORG](#)

English

---

[Product Specifications](#)

[Product Specification](#)

English