



Connectors > Contacts > Connector Contacts



Contact Type: **Socket**

Contact Mating Area Plating Material: **Gold (Au)**

Contact Base Material: **Phosphor Bronze**

Product Terminates To: **Printed Circuit Board**

Contact Current Rating (Max): **5 A**

Features

Product Type Features

Applied Pressure	Standard
------------------	----------

Electrical Characteristics

Contact Resistance	12 mΩ
Dielectric Withstanding Voltage (Max)	1200 V
Insulation Resistance	5000 MΩ

Contact Features

Contact Orientation	Horizontal
PCB Contact Termination Area Plating Material	Gold
Contact Mating Area Plating Material Thickness	.381 μm[15 μin]
Contact Type	Socket
Contact Mating Area Plating Material	Gold (Au)
Contact Base Material	Phosphor Bronze
Contact Current Rating (Max)	5 A

Termination Features

--	--



Termination Post & Tail Length	3.68 mm[.145 in]
Product Terminates To	Printed Circuit Board

Mechanical Attachment

Wire Insulation Support	Without
PCB Mount Retention	Without

Housing Features

Mating Entry Location	Side
-----------------------	------

Dimensions

PCB Thickness (Recommended)	1.4 – 2.62 mm[.055 – .103 in]
-----------------------------	-------------------------------

Usage Conditions

Operating Temperature Range	-65 – 105 °C[-85 – 221 °F]
-----------------------------	----------------------------

Operation/Application

Circuit Application	Signal
---------------------	--------

Packaging Features

Packaging Method	Reel
Packaging Quantity	5000

Product Compliance

[For compliance documentation, visit the product page on TE.com>](#)

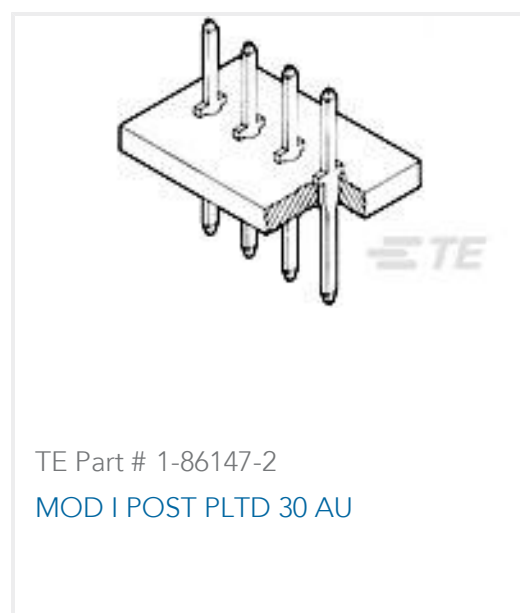
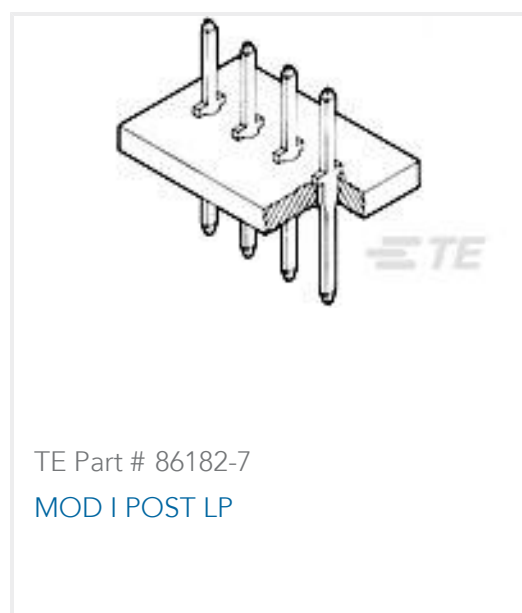
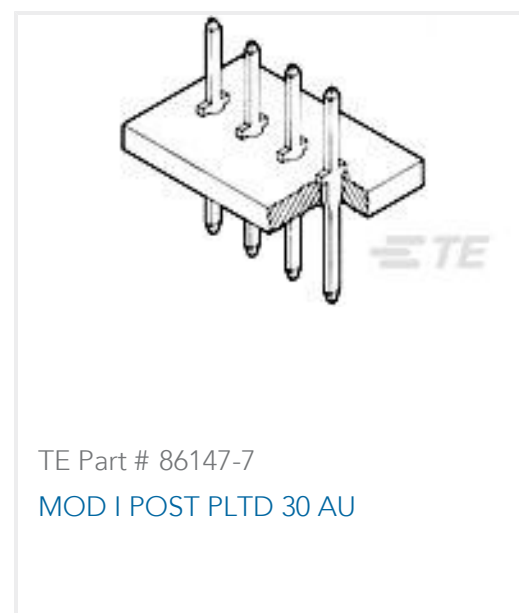
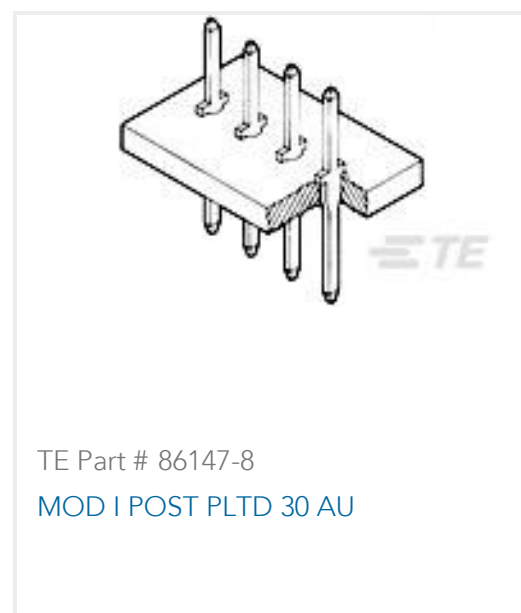
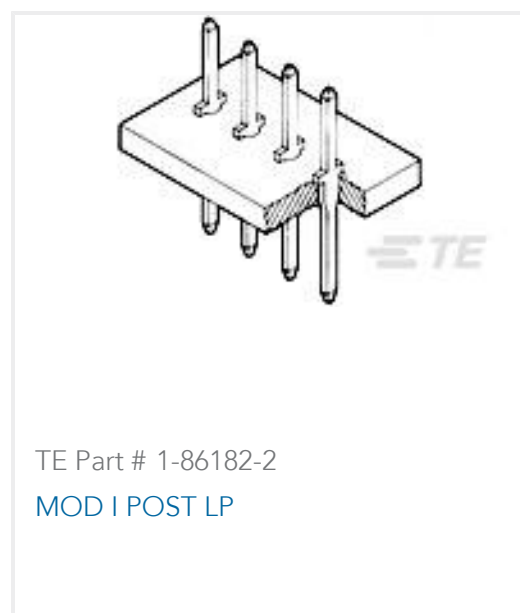
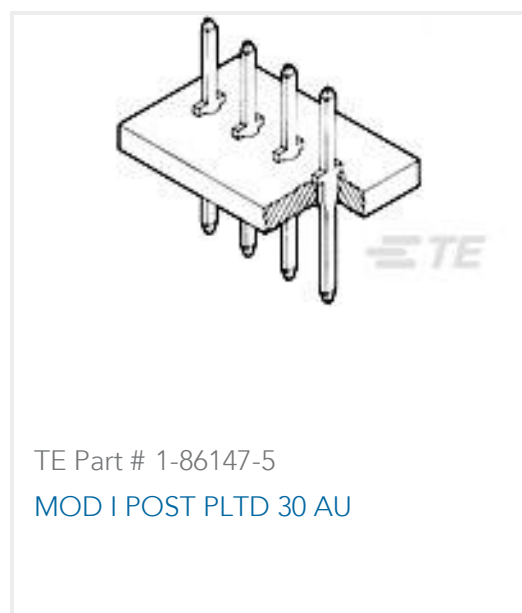
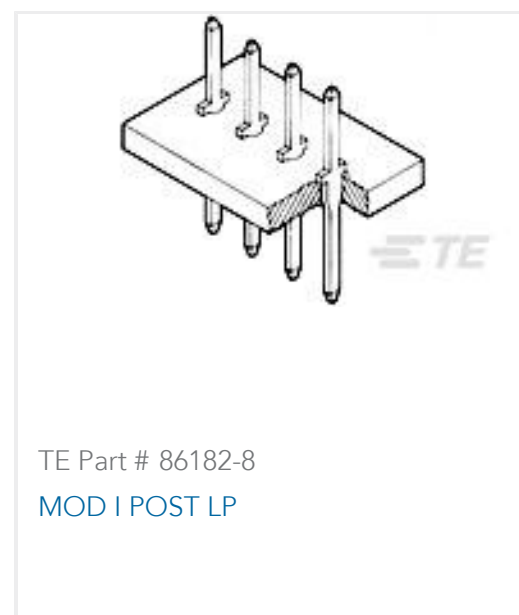
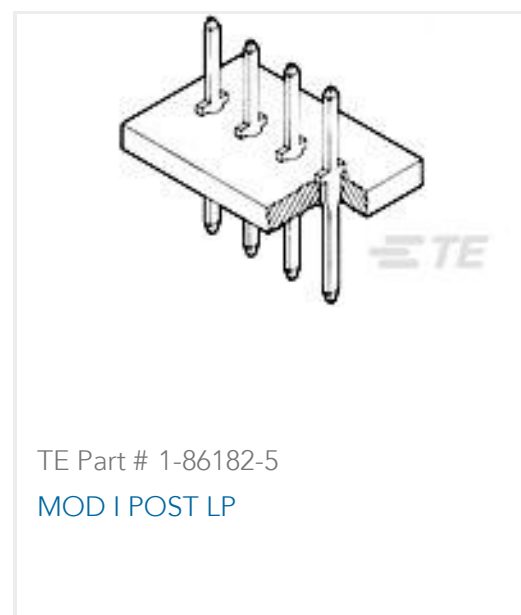
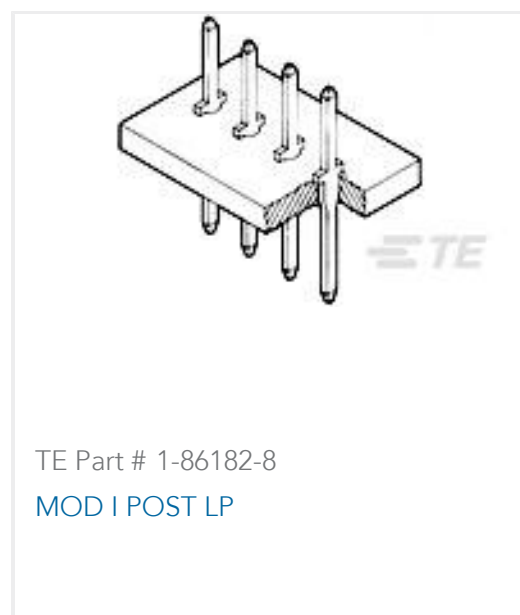
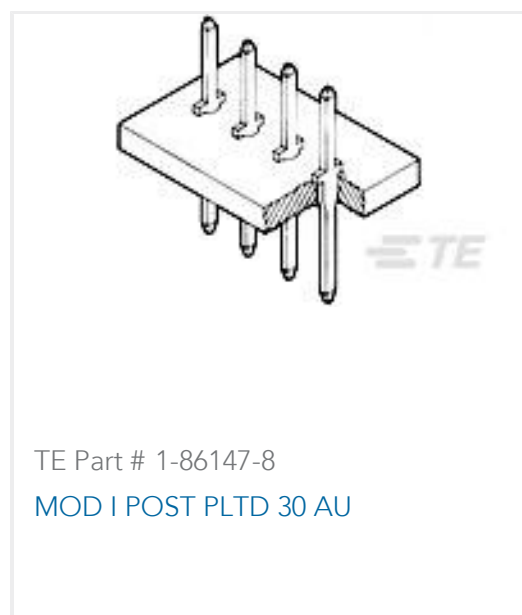
EU RoHS Directive 2011/65/EU	Compliant
EU ELV Directive 2000/53/EC	Compliant
China RoHS 2 Directive MIIT Order No 32, 2016	No Restricted Materials Above Threshold
EU REACH Regulation (EC) No. 1907/2006	Current ECHA Candidate List: JAN 2025 (247) Candidate List Declared Against: JAN 2025 (247) Does not contain REACH SVHC
Halogen Content	Low Halogen - Br, Cl, F, I < 900 ppm per homogenous material. Also BFR/CFR/PVC Free
Solder Process Capability	Wave solder capable to 265°C

Product Compliance Disclaimer

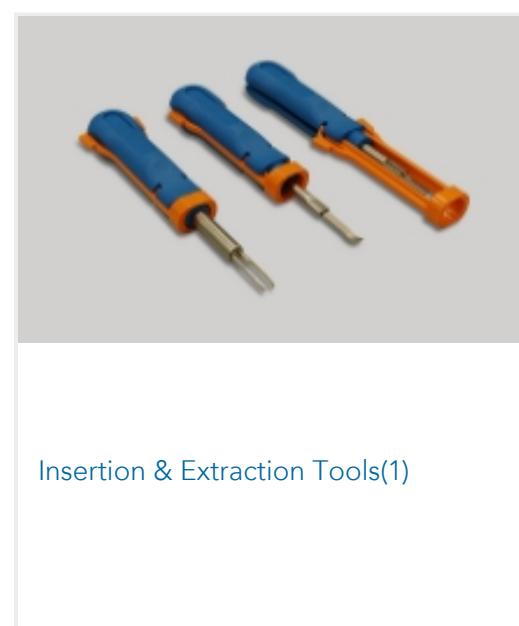
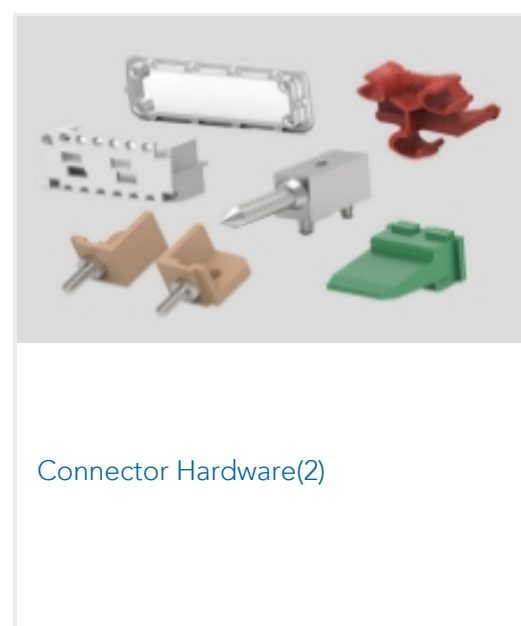
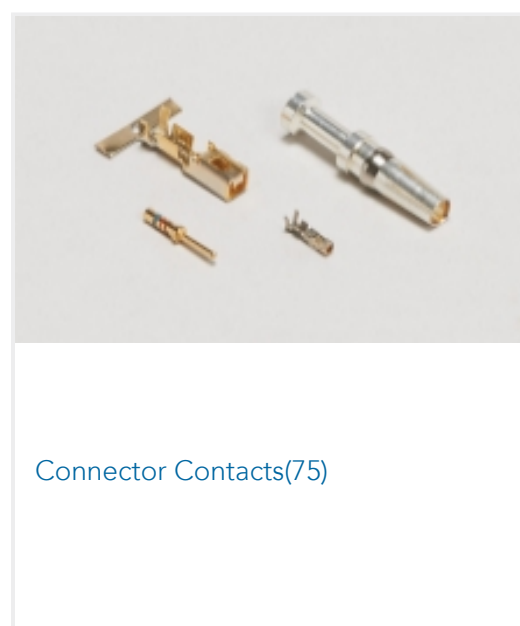
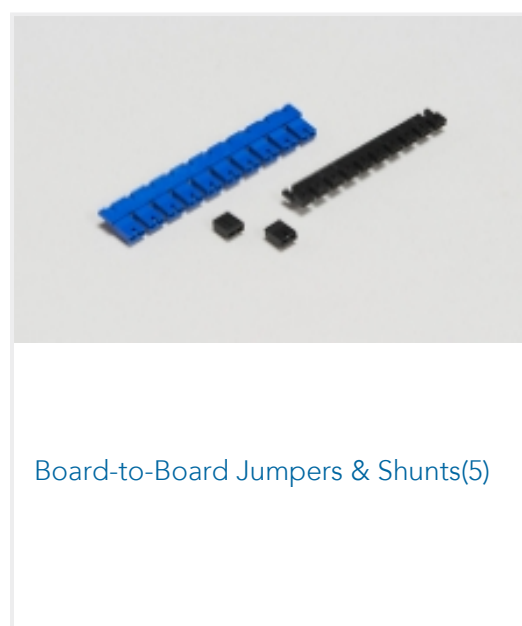
This information is provided based on reasonable inquiry of our suppliers and represents our current actual knowledge based on the information they provided. This information is subject to change. The part numbers that TE has identified as EU RoHS compliant have a maximum concentration of 0.1% by weight in homogenous materials for lead, hexavalent

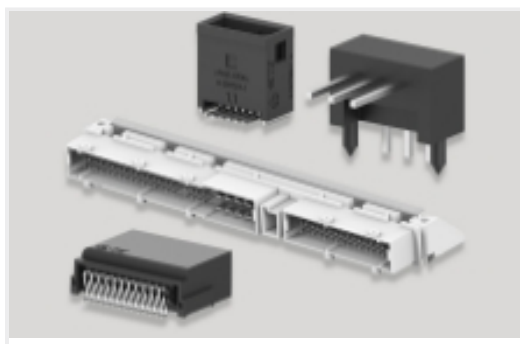
chromium, mercury, PBB, PBDE, DBP, BBP, DEHP, DIBP, and 0.01% for cadmium, or qualify for an exemption to these limits as defined in the Annexes of Directive 2011/65/EU (RoHS2). Finished electrical and electronic equipment products will be CE marked as required by Directive 2011/65/EU. Components may not be CE marked. Additionally, the part numbers that TE has identified as EU ELV compliant have a maximum concentration of 0.1% by weight in homogenous materials for lead, hexavalent chromium, and mercury, and 0.01% for cadmium, or qualify for an exemption to these limits as defined in the Annexes of Directive 2000/53/EC (ELV). Regarding the REACH Regulation, the information TE provides on SVHC in articles for this part number is based on the latest European Chemicals Agency (ECHA) 'Guidance on requirements for substances in articles' posted at this URL: <https://echa.europa.eu/guidance-documents/guidance-on-reach>

Compatible Parts



Also in the Series | AMPMODU MOD 1





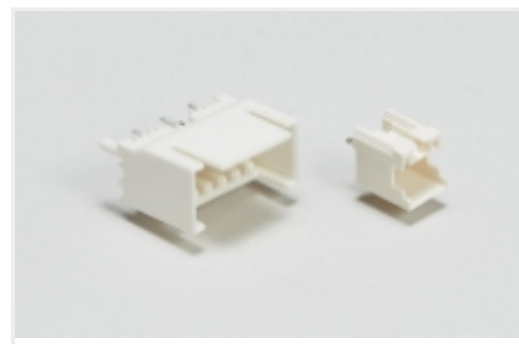
PCB Headers & Receptacles(105)



Power Contacts(1)



Rectangular Power Connectors(20)



Wire-to-Board Headers & Receptacles (35)

Customers Also Bought



TE Part #3371890001
ES-CAP-NO.1-C1-0-30MM

Documents

Product Drawings

[MOD I RECP PLTD 15 SEL](#)

English

CAD Files

[3D PDF](#)

3D

Customer View Model

[ENG_CVM_CVM_85487-5_AN.2d_dxf.zip](#)

English

Customer View Model

[ENG_CVM_CVM_85487-5_AN.3d_igs.zip](#)

English

Customer View Model

[ENG_CVM_CVM_85487-5_AN.3d_stp.zip](#)

English

By downloading the CAD file I accept and agree to the [Terms and Conditions](#) of use.

Product Specifications

[Application Specification](#)

English