

LS509-51 ✓ ACTIVE

MEAS | MEAS LS

TE Internal #: 81117-000

TE Internal Description: LS509-51 Liquid Level Sensor

Horizontal Liquid Level Switches

[View on TE.com >](#)



Sensors > Position Sensors > Liquid Level Switches > Horizontal Liquid Level Switches



Entry Style: **Side**

Fluid Type: **Water**

Contact Form: **A**

Port Fitting: **M16 External, M16 Internal**

Case Material: **Glass Filled Polyphenylene Sulfide**

[All Horizontal Liquid Level Switches \(18\)](#)

Features

Product Type Features

Float SG	.7
----------	----

Body Features

Entry Style	Side
-------------	------

Fluid Type	Water
------------	-------

Case Material	Glass Filled Polyphenylene Sulfide
---------------	------------------------------------

Seal Material	Silicone
---------------	----------

Contact Features

Contact Form	A
--------------	---

Dimensions

Cable Length	.5 m[1.64 ft]
--------------	---------------

Other

Port Fitting	M16 External, M16 Internal
--------------	----------------------------

Product Compliance

[For compliance documentation, visit the product page on TE.com>](#)

EU RoHS Directive 2011/65/EU	Compliant
------------------------------	-----------



EU ELV Directive 2000/53/EC

Compliant

China RoHS 2 Directive MIIT Order No 32, 2016

No Restricted Materials Above Threshold

EU REACH Regulation (EC) No. 1907/2006

Current ECHA Candidate List: JAN 2025 (247)

Candidate List Declared Against: JAN 2025 (247)

SVHC > Threshold:

DBP (100% in M-2538-1)

Article Safe Usage Statements:

Do not eat, drink or smoke when using this product. Wash thoroughly after handling. Recycle if possible and dispose of the article by following all applicable governmental regulations relevant to your geographic location.

Halogen Content

Not Yet Reviewed for halogen content

Solder Process Capability

Not reviewed for solder process capability

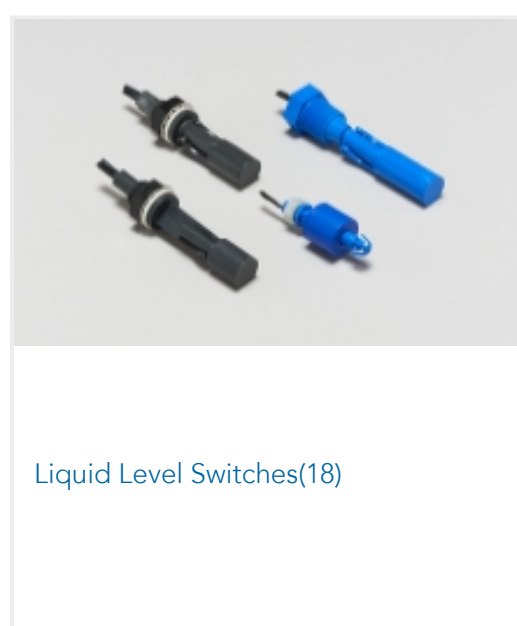
Product Compliance Disclaimer

This information is provided based on reasonable inquiry of our suppliers and represents our current actual knowledge based on the information they provided. This information is subject to change. The part numbers that TE has identified as EU RoHS compliant have a maximum concentration of 0.1% by weight in homogenous materials for lead, hexavalent chromium, mercury, PBB, PBDE, DBP, BBP, DEHP, DIBP, and 0.01% for cadmium, or qualify for an exemption to these limits as defined in the Annexes of Directive 2011/65/EU (RoHS2). Finished electrical and electronic equipment products will be CE marked as required by Directive 2011/65/EU. Components may not be CE marked. Additionally, the part numbers that TE has identified as EU ELV compliant have a maximum concentration of 0.1% by weight in homogenous materials for lead, hexavalent chromium, and mercury, and 0.01% for cadmium, or qualify for an exemption to these limits as defined in the Annexes of Directive 2000/53/EC (ELV). Regarding the REACH Regulation, the information TE provides on SVHC in articles for this part number is based on the latest European Chemicals Agency (ECHA) 'Guidance on requirements for substances in articles' posted at this URL: <https://echa.europa.eu/guidance-documents/guidance-on-reach>

Compatible Parts



Also in the Series | MEAS LS



Customers Also Bought



TE Part #2119000-1
JACKNACK TOOL



TE Part #160013
SOLIS 8 R M5



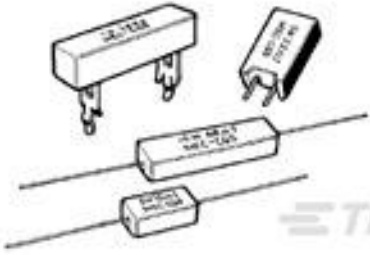
TE Part #80052-000
LS309-31 Liquid Level Sensor



TE Part #9-146280-0
40 MODII HDR SRST B/A .100CL



TE Part #5-2232263-2
PTL 1X2 CAP PANEL MT GLW WIRE
KEY A DGR



TE Part #2-1623783-1
SQM7 100K 5% (METAL FILM)

TE Part #3-1768000-0
LBC-13043

TE Part #86455-000
FFCS-05 FLOW SWITCH



TE Part #282994-2
TAB CONN. NEW GEN. F. TRUCK



TE Part #284107-1
MULTILOCK CONN. 070SRS. TAB
CONT

Documents

[Datasheets & Catalog Pages](#)

[LS_SERIES](#)

English