



Neohm | Neohm ROX

TE Internal #: 8-1625890-5

200K ohm, Through-Hole Power Resistor, Metal Oxide Film, 2 W, 5 %, ±350 ppm/°C, Axial-Leaded, Copper Termination, 16 x 5.5 mm, Ammo Packed, Neohm ROX

[View on TE.com >](#)

Passive Components > Resistors > Through-Hole Resistors



Resistance Value: **200K Ω**

Resistor Type: **Power Resistor**

Element Type: **Metal Oxide Film**

Power Rating: **2 W**

Resistance Class: **1kΩ – 1MΩ**

Features

Product Type Features

| | |
|---------------|------------------|
| Resistor Type | Power Resistor |
| Element Type | Metal Oxide Film |

Configuration Features

| | |
|---------------------|---|
| Number of Resistors | 1 |
|---------------------|---|

Electrical Characteristics

| | |
|-----------------------------|-----------|
| Resistance Value | 200K Ω |
| Power Rating | 2 W |
| Resistance Class | 1kΩ – 1MΩ |
| Passive Component Tolerance | 5 % |

Body Features

| | |
|-----------|--------------|
| Lead Type | Axial-Leaded |
|-----------|--------------|

Termination Features

| | |
|--------------------------------|--------|
| Termination Area Base Material | Copper |
| Number of Terminations | 2 |

Dimensions

| | |
|------------------------------|-------------|
| Passive Component Dimensions | 16 x 5.5 mm |
|------------------------------|-------------|

Usage Conditions

| | |
|--|--|
| | |
|--|--|



| | |
|-----------------------------|--------------|
| Operating Temperature Range | -55 – 235 °C |
| Temperature Coefficient | ±350 ppm/°C |

Packaging Features

| | |
|------------------|-------------|
| Packaging Method | Ammo Packed |
|------------------|-------------|

Product Compliance

[For compliance documentation, visit the product page on TE.com>](#)

| | |
|---|---|
| EU RoHS Directive 2011/65/EU | Compliant |
| EU ELV Directive 2000/53/EC | Compliant |
| China RoHS 2 Directive MIIT Order No 32, 2016 | No Restricted Materials Above Threshold |
| EU REACH Regulation (EC) No. 1907/2006 | Current ECHA Candidate List: JAN 2025 (247) Candidate List Declared Against: JAN 2025 (247) Does not contain REACH SVHC |
| Halogen Content | Low Halogen - Br, Cl, F, I < 900 ppm per homogenous material. Also BFR/CFR/PVC Free |
| Solder Process Capability | Wave solder capable to 265°C |

Product Compliance Disclaimer

This information is provided based on reasonable inquiry of our suppliers and represents our current actual knowledge based on the information they provided. This information is subject to change. The part numbers that TE has identified as EU RoHS compliant have a maximum concentration of 0.1% by weight in homogenous materials for lead, hexavalent chromium, mercury, PBB, PBDE, DBP, BBP, DEHP, DIBP, and 0.01% for cadmium, or qualify for an exemption to these limits as defined in the Annexes of Directive 2011/65/EU (RoHS2). Finished electrical and electronic equipment products will be CE marked as required by Directive 2011/65/EU. Components may not be CE marked. Additionally, the part numbers that TE has identified as EU ELV compliant have a maximum concentration of 0.1% by weight in homogenous materials for lead, hexavalent chromium, and mercury, and 0.01% for cadmium, or qualify for an exemption to these limits as defined in the Annexes of Directive 2000/53/EC (ELV). Regarding the REACH Regulation, the information TE provides on SVHC in articles for this part number is based on the latest European Chemicals Agency (ECHA) 'Guidance on requirements for substances in articles' posted at this URL: <https://echa.europa.eu/guidance-documents/guidance-on-reach>

Compatible Parts

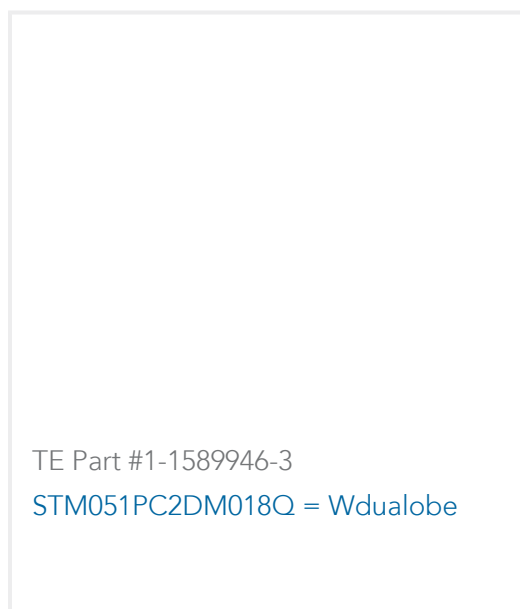
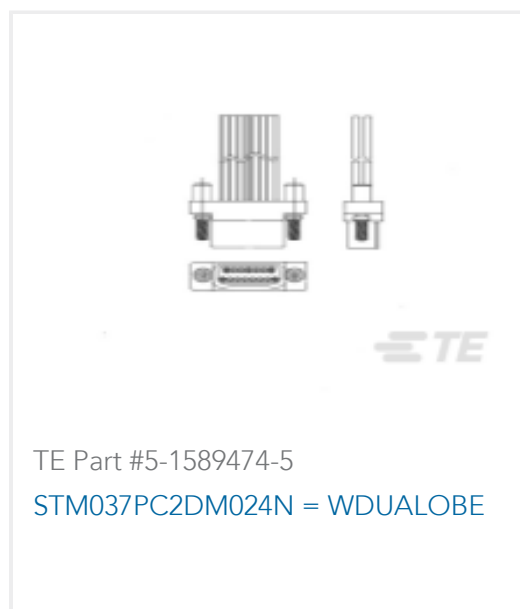
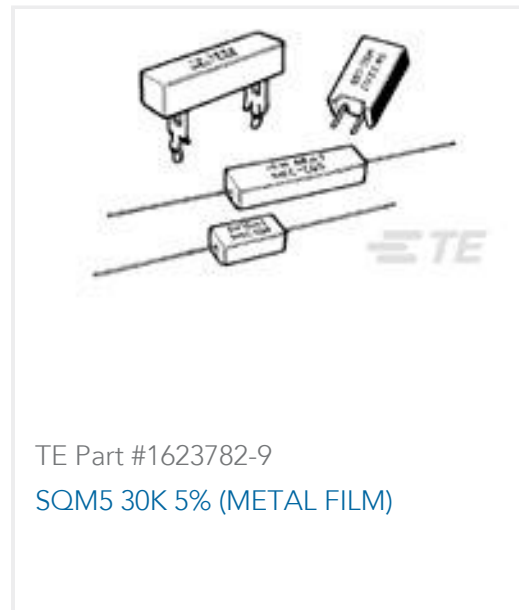




Also in the Series | Neohm ROX



Customers Also Bought





Documents

Product Drawings

[2W SM M/OX 5% 200K](#)

English

CAD Files

[3D PDF](#)

3D

Customer View Model

[ENG_CVM_CVM_8-1625890-5_BA.2d_dxf.zip](#)

English

Customer View Model

[ENG_CVM_CVM_8-1625890-5_BA.3d_igs.zip](#)

English

Customer View Model

[ENG_CVM_CVM_8-1625890-5_BA.3d_stp.zip](#)

English

By downloading the CAD file I accept and agree to the [Terms and Conditions](#) of use.

Datasheets & Catalog Pages

[4-1773460-6_RESISTIVE_SOLUTIONS_RAIL](#)

English

[1309350_PASSIVE_COMPONENT](#)

English

[8-1773459-4_POWER_FILTERING_AND_RESISTIVE_SOLUTIONS_FOR_ELEVATORS_AND_ESCALATORS](#)

English

[Flame Proof Power Metal Oxide Film Resistors - Type ROX Series - Tyco Electronics Passives](#)

English