

787231-1 ✓ ACTIVE

CHAMP | CHAMP .8 mm Connector

TE Internal #: 787231-1

Shielded, Backshell Kit, Steel, Straight, 36 Position, CHAMP .8 mm Connector

[View on TE.com >](#)



Connectors > Connector Accessories > Connector Backshells



Connector Backshell Product Style: **Shielded**

Connector Backshell Product Type: **Backshell Kit**

Primary Product Material: **Steel**

Body Orientation: **Straight**

Number of Positions: **36**

Features

Product Type Features

Connector Backshell Product Style	Shielded
Connector Backshell Product Type	Backshell Kit

Configuration Features

Number of Positions	36
---------------------	----

Body Features

Primary Product Material	Steel
Primary Product Plating Material	Nickel

Housing Features

Body Orientation	Straight
Compatible With Connector Shape	D-Shaped

Industry Standards

UL Flammability Rating	UL 94V-0
------------------------	----------

Packaging Features

Packaging Method	Bulk
Packaging Quantity	100

Product Compliance

[For compliance documentation, visit the product page on TE.com>](#)

EU RoHS Directive 2011/65/EU	Compliant
EU ELV Directive 2000/53/EC	Compliant
China RoHS 2 Directive MIIT Order No 32, 2016	No Restricted Materials Above Threshold
EU REACH Regulation (EC) No. 1907/2006	Current ECHA Candidate List: JAN 2025 (247) Candidate List Declared Against: JAN 2023 (233) Does not contain REACH SVHC
Halogen Content	Low Halogen - Br, Cl, F, I < 900 ppm per homogenous material. Also BFR/CFR/PVC Free
Solder Process Capability	Not applicable for solder process capability

Product Compliance Disclaimer

This information is provided based on reasonable inquiry of our suppliers and represents our current actual knowledge based on the information they provided. This information is subject to change. The part numbers that TE has identified as EU RoHS compliant have a maximum concentration of 0.1% by weight in homogenous materials for lead, hexavalent chromium, mercury, PBB, PBDE, DBP, BBP, DEHP, DIBP, and 0.01% for cadmium, or qualify for an exemption to these limits as defined in the Annexes of Directive 2011/65/EU (RoHS2). Finished electrical and electronic equipment products will be CE marked as required by Directive 2011/65/EU. Components may not be CE marked. Additionally, the part numbers that TE has identified as EU ELV compliant have a maximum concentration of 0.1% by weight in homogenous materials for lead, hexavalent chromium, and mercury, and 0.01% for cadmium, or qualify for an exemption to these limits as defined in the Annexes of Directive 2000/53/EC (ELV). Regarding the REACH Regulation, the information TE provides on SVHC in articles for this part number is based on the latest European Chemicals Agency (ECHA) 'Guidance on requirements for substances in articles' posted at this URL: <https://echa.europa.eu/guidance-documents/guidance-on-reach>

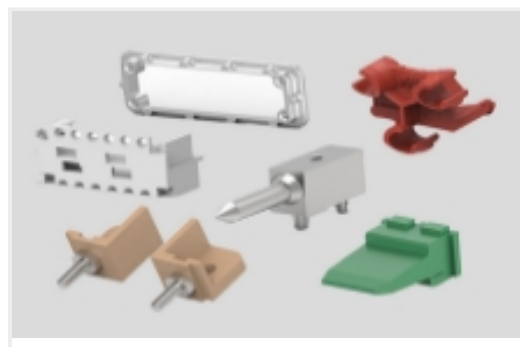
Compatible Parts



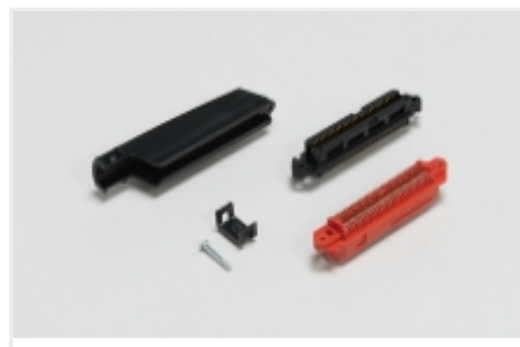
Also in the Series | CHAMP .8 mm Connector



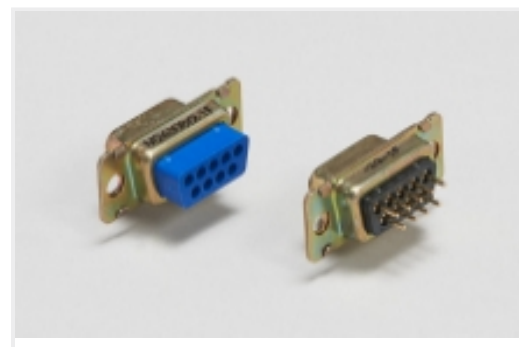
Connector Backshells(5)



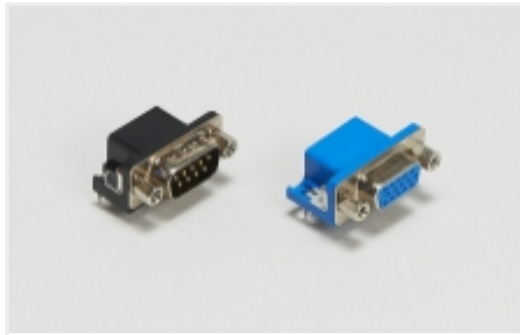
Connector Hardware(2)



IDC D-Sub Connectors(3)

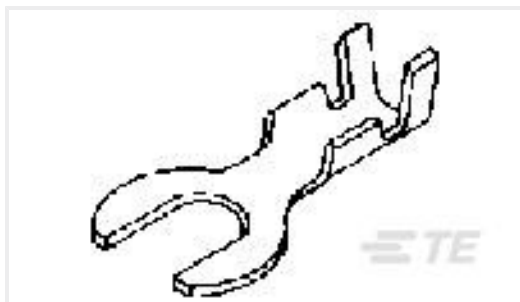


Panel Mount D-Sub Connectors(4)



PCB D-Sub Connectors(10)

Customers Also Bought



TE Part #350502-1
SPADE TERMINAL (ST) 28-22 AWG
PTPBR



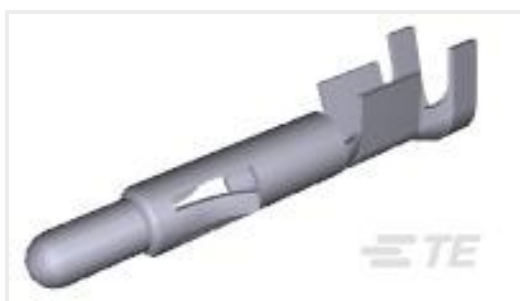
TE Part #3-643828-3
03P MTA100 CONN ASSY LF



TE Part #350550-6
UMNL SOK 20-14 AU/PHBZ L/P



TE Part #5039954005
SRFR-10/6.5-8-SP



TE Part #350547-6
UMNL PIN 20-14 AU/PHBZ L/P



TE Part #1658685-1
HDP-22,RCPT,SIZE 5,78 POSN



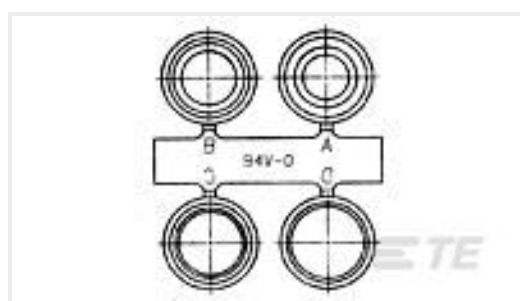
TE Part #5745175-3
CABLE CLAMP KIT,SZ 5



TE Part #5787131-3
68 .8MM CHAMP PLUG KIT



TE Part #5796055-2
68 CHAMP R/A ASSY,LC



TE Part #747973-1
GROMMET ASSORTMENT, SZ 3,4 & 5

Documents



Product Drawings

[.8MM CHAMP,BULK KIT](#)

English

CAD Files

Customer View Model

[ENG_CVM_CVM_787231-1_B.2d_dxf.zip](#)

English

[3D PDF](#)

3D

Customer View Model

[ENG_CVM_CVM_787231-1_B.3d_igs.zip](#)

English

Customer View Model

[ENG_CVM_CVM_787231-1_B.3d_stp.zip](#)

English

By downloading the CAD file I accept and agree to the [Terms and Conditions](#) of use.

Product Specifications

[Application Specification](#)

English

Agency Approvals

[UL Report](#)

English