

770854-1 ✓ ACTIVE

AMP | AMPSEAL

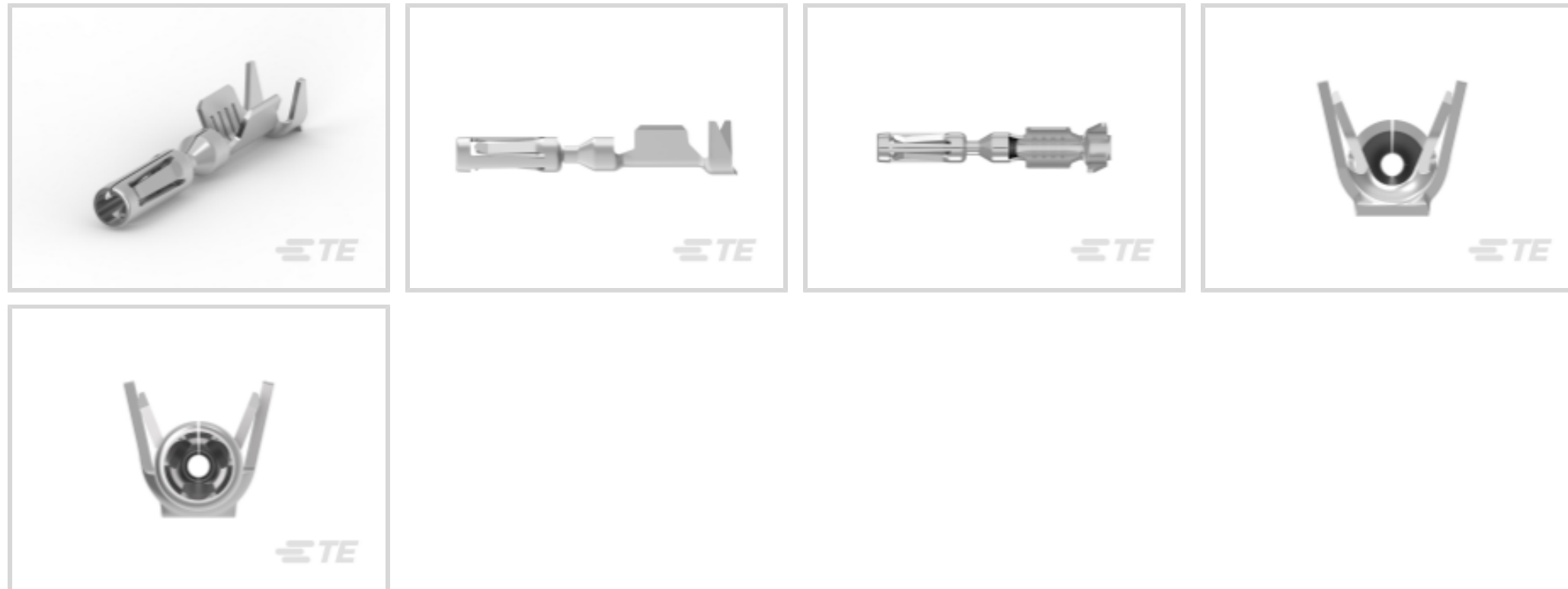
TE Internal #: 770854-1

Socket Terminal, 20 – 16 AWG, .517 – 1.31 mm<sup>2</sup> Wire, Tin (Sn),  
Family Seal, Terminates To Wire, 19.1 mm [.752 in] Tab Length,  
AMPSEAL

[View on TE.com >](#)



Terminals & Splices > Automotive Terminals > AMPSEAL Crimp Contacts: 1.3 mm



Terminal Type: **Socket**

Wire Size: **20 – 16 AWG**

Interface Plating: **Tin (Sn)**

Primary Locking Feature: **On the Terminal**

[All AMPSEAL Crimp Contacts: 1.3 mm \(8\)](#)

## Features

### Product Type Features

Receptacle Style	180°
Primary Locking Feature	On the Terminal
Sealable	No

### Body Features

Terminal Seal Type	Family Seal
--------------------	-------------

### Contact Features

Typical Current Rating	8 A
Crimp Type	F-Crimp
Contact Size	1.3mm
Contact Fabrication	Stamped & Formed
Terminal Type	Socket
Interface Plating	Tin (Sn)

### Termination Features



Termination Method to Wire & Cable	Crimp
Product Terminates To	Wire

### Dimensions

Compatible Insulation Diameter Range	1.7 – 2.7 mm [.067 – .106 in]
Wire Size	20 – 16 AWG
Tab Length	19.1 mm [.752 in]

### Usage Conditions

Insulation Option	Uninsulated
Operating Temperature (Max)	105 °C [221 °F]
Operating Temperature Range	-40 – 105 °C [-40 – 221 °F]

### Operation/Application

Compatible With Wire Base Material	Copper
------------------------------------	--------

### Packaging Features

Packaging Method	Package
Packaging Quantity	1000

### Other

Terminal Transmits	0 – 24 A (Low Power)
--------------------	----------------------

## Product Compliance

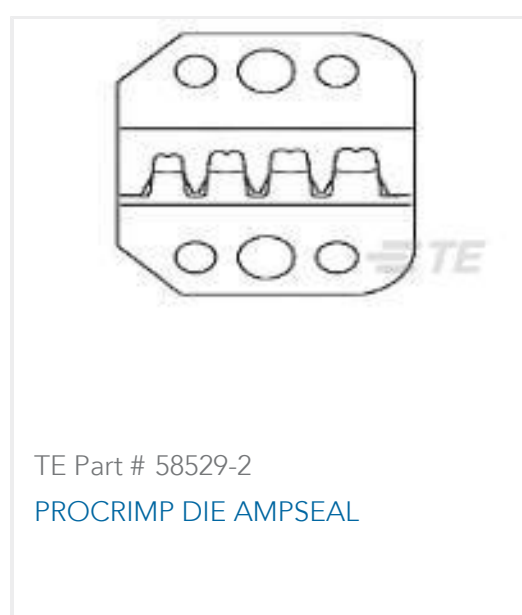
[For compliance documentation, visit the product page on TE.com>](#)

EU RoHS Directive 2011/65/EU	Compliant
EU ELV Directive 2000/53/EC	Compliant
China RoHS 2 Directive MIIT Order No 32, 2016	No Restricted Materials Above Threshold
EU REACH Regulation (EC) No. 1907/2006	Current ECHA Candidate List: JAN 2025 (247) Candidate List Declared Against: JAN 2025 (247) Does not contain REACH SVHC
Halogen Content	Low Halogen - Br, Cl, F, I < 900 ppm per homogenous material. Also BFR/CFR/PVC Free
Solder Process Capability	Not reviewed for solder process capability

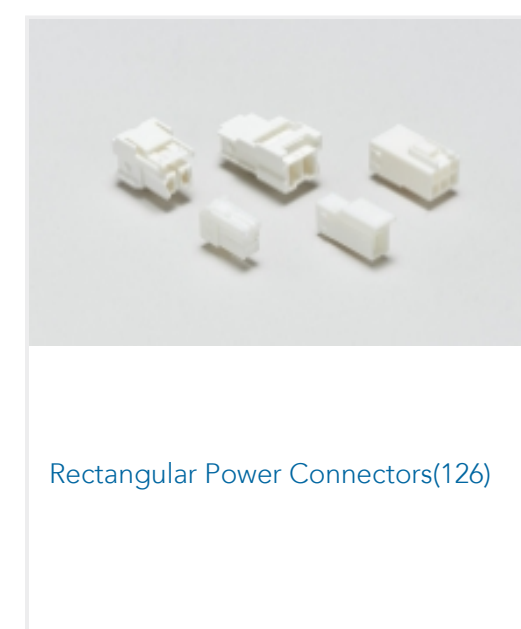
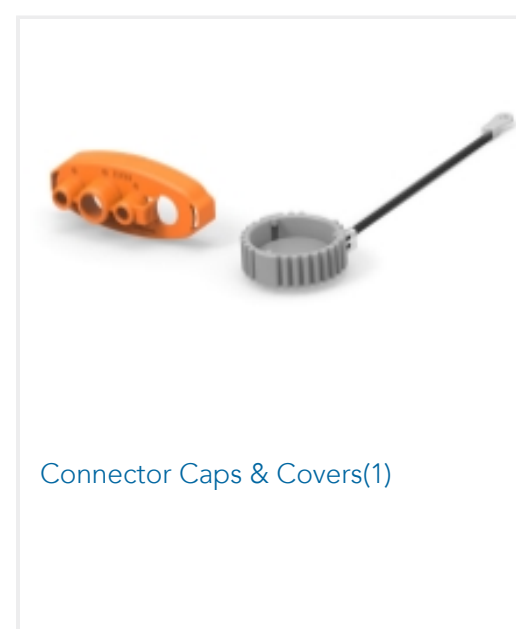
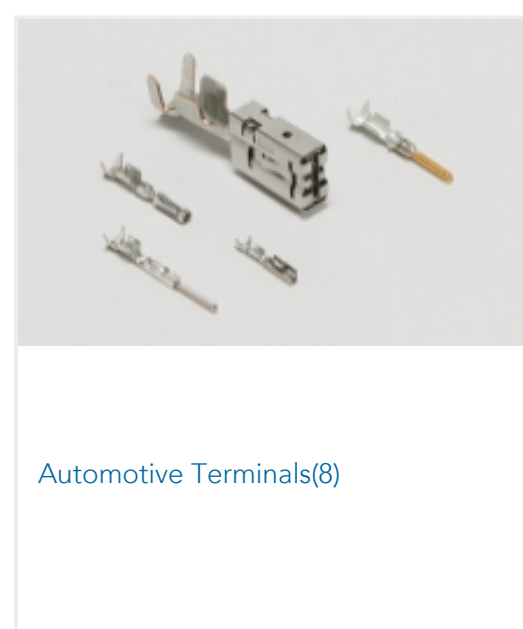
Product Compliance Disclaimer

This information is provided based on reasonable inquiry of our suppliers and represents our current actual knowledge based on the information they provided. This information is subject to change. The part numbers that TE has identified as EU RoHS compliant have a maximum concentration of 0.1% by weight in homogenous materials for lead, hexavalent chromium, mercury, PBB, PBDE, DBP, BBP, DEHP, DIBP, and 0.01% for cadmium, or qualify for an exemption to these limits as defined in the Annexes of Directive 2011/65/EU (RoHS2). Finished electrical and electronic equipment products will be CE marked as required by Directive 2011/65/EU. Components may not be CE marked. Additionally, the part numbers that TE has identified as EU ELV compliant have a maximum concentration of 0.1% by weight in homogenous materials for lead, hexavalent chromium, and mercury, and 0.01% for cadmium, or qualify for an exemption to these limits as defined in the Annexes of Directive 2000/53/EC (ELV). Regarding the REACH Regulation, the information TE provides on SVHC in articles for this part number is based on the latest European Chemicals Agency (ECHA) 'Guidance on requirements for substances in articles' posted at this URL: <https://echa.europa.eu/guidance-documents/guidance-on-reach>

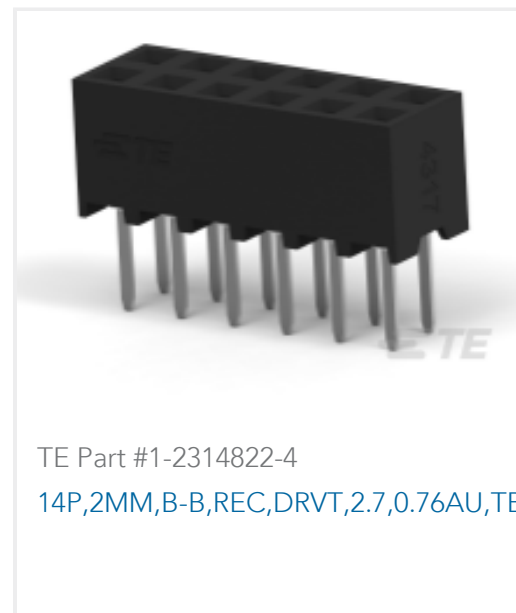
## Compatible Parts



## Also in the Series | AMPSEAL



## Customers Also Bought



## Documents

### Product Drawings

#### CONTACT, AMPSEAL SN/LP

English

### CAD Files

#### Customer View Model

[ENG\\_CVM\\_770854-1\\_O1.3d\\_igs.zip](#)

English

#### Customer View Model

[ENG\\_CVM\\_770854-1\\_O1.3d\\_stp.zip](#)

English

#### Customer View Model

[ENG\\_CVM\\_770854-1\\_O1.2d\\_dxf.zip](#)

English

### 3D PDF

English

By downloading the CAD file I accept and agree to the [Terms and Conditions](#) of use.

### Datasheets & Catalog Pages

#### TERMINALS AND CONNECTORS

English

#### AMPSEAL Connector Catalog

English

#### ICT Terminals and Connectors Catalogue

English

#### CONNECTOR SELECTOR

English



---

[Product Specifications](#)

[Application Specification](#)

English