



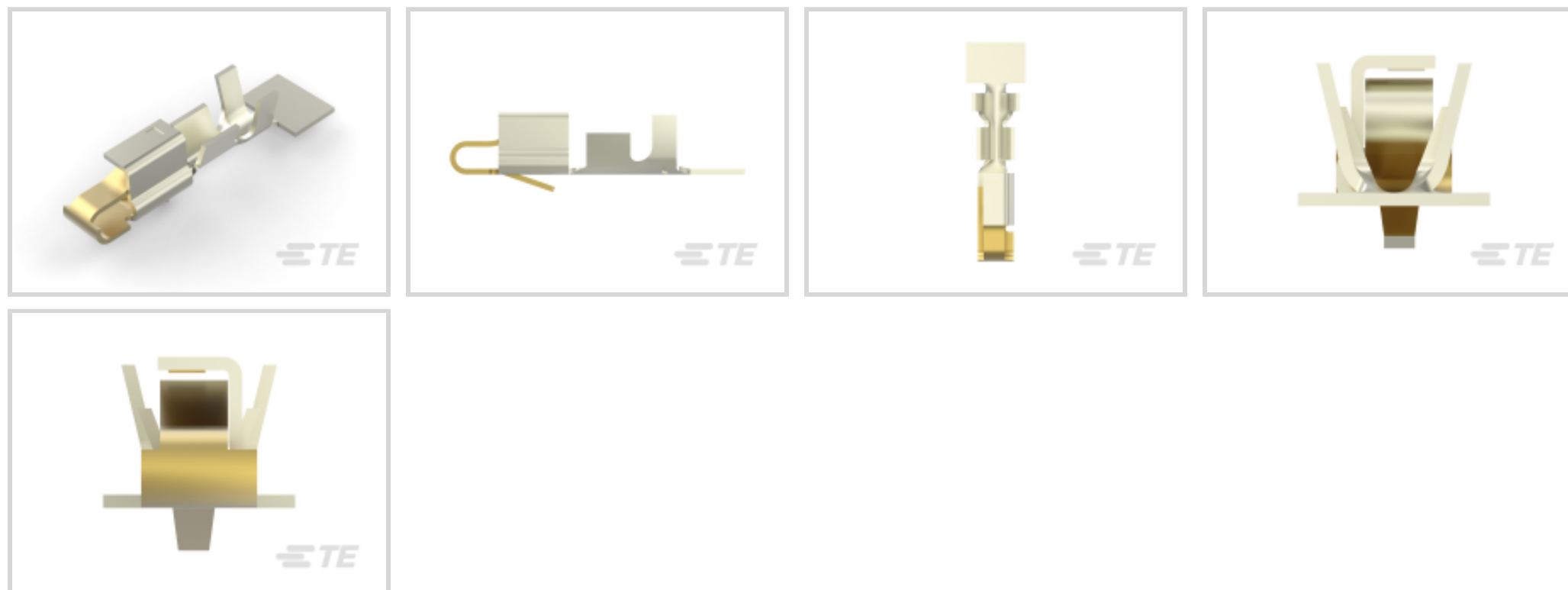
**SL-156**

TE Internal #: 770476-2

Socket Contact, Gold (Au), 250 VAC, Locking Lance Contact Retention, Discrete Wire, 24 – 18 AWG, .2 – .9 mm<sup>2</sup> Wire, Crimp, Phosphor Bronze, SL-156

[View on TE.com >](#)

Connectors > Contacts > Connector Contacts > Connector Contacts: Wire-to-Board Socket, SL 156



Contact Type: **Socket**

Contact Mating Area Plating Material: **Gold (Au)**

Wire Contact Termination Area Plating Material: **Gold**

Operating Voltage: **250 VAC**

Contact Retention Within Housing: **With**

[All Connector Contacts: Wire-to-Board Socket, SL 156 \(23\)](#)

**Features**

**Product Type Features**

Applied Pressure	High
------------------	------

**Configuration Features**

Compatible With Wire & Cable Type	Discrete Wire
-----------------------------------	---------------

**Electrical Characteristics**

Operating Voltage	250 VAC
-------------------	---------

**Contact Features**

Contact Underplating Material	Nickel
Mating Square Post Dimension	1.14 mm[.045 in]
Contact Type	Socket
Contact Mating Area Plating Material	Gold (Au)
Wire Contact Termination Area Plating Material	Gold
Contact Retention Within Housing	With



Contact Base Material	Phosphor Bronze
-----------------------	-----------------

Contact Current Rating (Max)	10 A
------------------------------	------

### Termination Features

Termination Method to Wire & Cable	Crimp
------------------------------------	-------

Product Terminates To	Wire & Cable
-----------------------	--------------

### Mechanical Attachment

Contact Retention Type Within Housing	Locking Lance
---------------------------------------	---------------

### Dimensions

Compatible Insulation Diameter Range	1.09 – 2.79 mm [.043 – .11 in]
--------------------------------------	--------------------------------

Wire Size	.2 – .9 mm <sup>2</sup>
-----------	-------------------------

### Usage Conditions

Operating Temperature Range	-55 – 105 °C [-67 – 221 °F]
-----------------------------	-----------------------------

### Operation/Application

Circuit Application	Power
---------------------	-------

### Packaging Features

Packaging Method	Reel
------------------	------

Packaging Quantity	5500
--------------------	------

## Product Compliance

[For compliance documentation, visit the product page on TE.com>](#)

EU RoHS Directive 2011/65/EU	Compliant
------------------------------	-----------

EU ELV Directive 2000/53/EC	Compliant
-----------------------------	-----------

China RoHS 2 Directive MIIT Order No 32, 2016	No Restricted Materials Above Threshold
---	---

EU REACH Regulation (EC) No. 1907/2006	Current ECHA Candidate List: JAN 2025 (247) Candidate List Declared Against: JAN 2025 (247) Does not contain REACH SVHC
--	---

Halogen Content	Low Halogen - Br, Cl, F, I < 900 ppm per homogenous material. Also BFR/CFR/PVC Free
-----------------	---

Solder Process Capability	Not applicable for solder process capability
---------------------------	--

Product Compliance Disclaimer

This information is provided based on reasonable inquiry of our suppliers and represents our current actual knowledge based on the information they provided. This information is subject to change. The part numbers that TE has identified as EU RoHS compliant have a maximum concentration of 0.1% by weight in homogenous materials for lead, hexavalent chromium, mercury, PBB, PBDE, DBP, BBP, DEHP, DIBP, and 0.01% for cadmium, or qualify for an exemption to these limits as defined in the Annexes of Directive 2011/65/EU (RoHS2). Finished electrical and electronic equipment products will be CE marked as required by Directive 2011/65/EU. Components may not be CE marked. Additionally, the part numbers that TE has identified as EU ELV compliant have a maximum concentration of 0.1% by weight in homogenous materials for lead, hexavalent chromium, and mercury, and 0.01% for cadmium, or qualify for an exemption to these limits as defined in the Annexes of Directive 2000/53/EC (ELV). Regarding the REACH Regulation, the information TE provides on SVHC in articles for this part number is based on the latest European Chemicals Agency (ECHA) 'Guidance on requirements for substances in articles' posted at this URL: <https://echa.europa.eu/guidance-documents/guidance-on-reach>

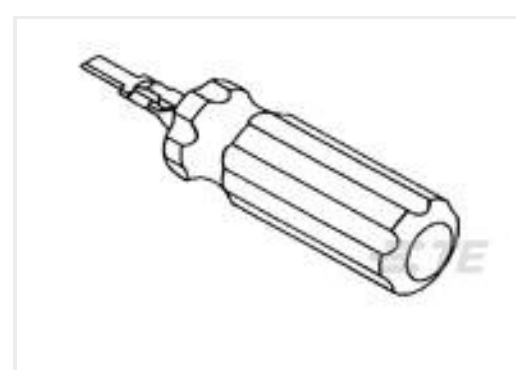
## Compatible Parts



TE Part # 5-2151033-2  
OCEAN-2.0-APPLICATOR-S-  
070F100FA-RSA



TE Part # 2305570-1  
Strip Terminal Cutter-Side Feed-No  
Crimp



TE Part # 90471-1  
EXTRACTION TOOL, SC-156



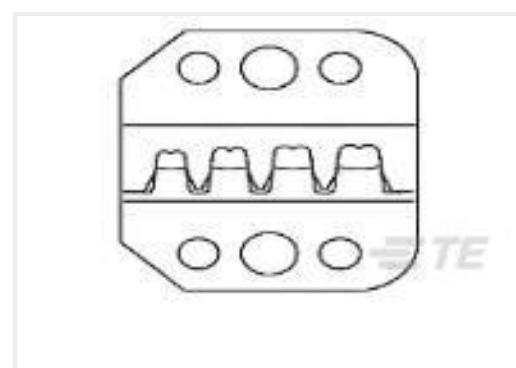
TE Part # 7-2151033-7  
OCEAN\_2.0\_SPARE\_PART\_KIT-  
070F100F



TE Part # 2151033-2  
OCEAN-2.0-APPLICATOR-S-  
070F100FA-RSA



TE Part # 2479636-1  
EXTRACTION TOOL



TE Part # 58614-2  
PROCRIMP, DIE, SL156



TE Part # 58614-1  
PROCRIMP, HT&D SL156



TE Part # 5-2151033-1  
OCEAN-2.0-APPLICATOR-S-070F100F-  
RSM



TE Part # 7-2266602-7  
OCEAN\_2.0\_SPARE\_PART\_KIT-  
070F100F



TE Part # 2151033-1  
OCEAN-2.0-APPLICATOR-S-070F100F-  
RSM



TE Part # 91597-1  
CCII SL-156 REC 24-18 ASSY

## Also in the Series | SL-156



Connector Contacts(23)



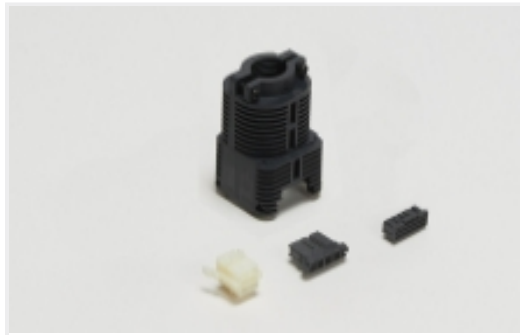
Connector Hardware(4)



Insertion & Extraction Tools(1)



Power Contacts(13)



Rectangular Connector Housings(144)

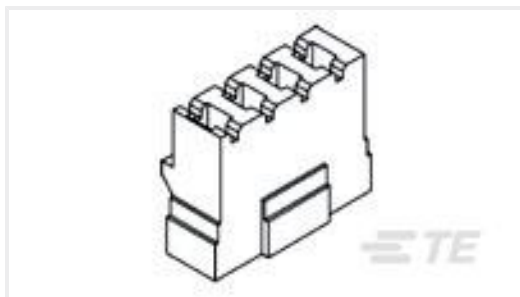


Rectangular Power Connectors(144)

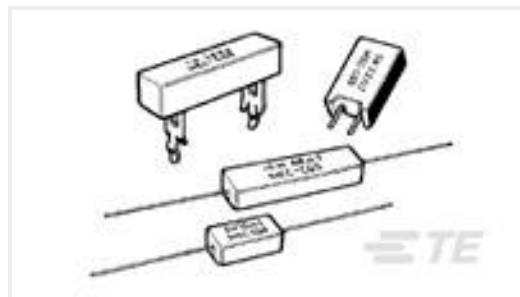


Wire-to-Board Connector Assemblies & Housings(6)

## Customers Also Bought



TE Part #1609146-1  
PA101 CONNECTOR PLU=F6998



TE Part #1-1623782-0  
SQM5 330R 5% (METAL FILM)



TE Part #T4171010003-001  
M12,REAR MOUNTING,MALE,A,3P,0.2 M WIRE



TE Part #1-770849-3  
13P SL156 HSG W/LCK RMP & TABS



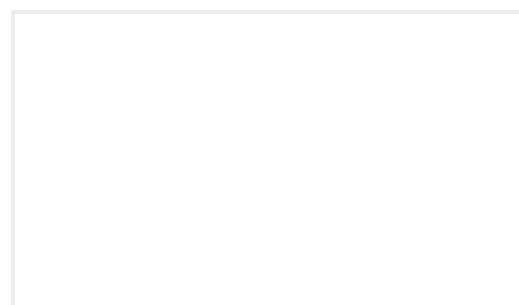
TE Part #52931-1  
TERMINAL,PIDG SPR SPD 22-16 10



TE Part #61758-1  
187 FASTON REC 20-16 AWG BR



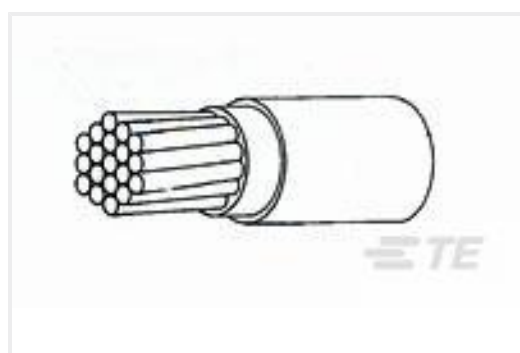
TE Part #4-643817-0  
10P MTA156 CONN ASSY 18AWG LF



TE Part #2001140-03  
PACKARD INTERFACE CONN/CBL 3'



TE Part #U5244-000005-005PG  
PRESS XDCR U5244-000005-005PG



TE Part #E246173001  
44A0111-24-2CK2000

## Documents



### Product Drawings

[SL156 RECPT, AUNI/PHBZ](#)

English

---

### CAD Files

[3D PDF](#)

3D

Customer View Model

[ENG\\_CVM\\_CVM\\_770476-2\\_Y.2d\\_dxf.zip](#)

English

Customer View Model

[ENG\\_CVM\\_CVM\\_770476-2\\_Y.3d\\_igs.zip](#)

English

Customer View Model

[ENG\\_CVM\\_CVM\\_770476-2\\_Y.3d\\_stp.zip](#)

English

Customer View Model

[ENG\\_CVM\\_770476-2\\_K.3d\\_igs.zip](#)

English

Customer View Model

[ENG\\_CVM\\_770476-2\\_K.3d\\_stp.zip](#)

English

Customer View Model

[ENG\\_CVM\\_770476-2\\_K.2d\\_dxf.zip](#)

English

[3D PDF](#)

English

By downloading the CAD file I accept and agree to the [Terms and Conditions](#) of use.

---

### Datasheets & Catalog Pages

[7-1773461-7\\_SL-156\\_CONNECTOR\\_TPA\\_DEVICE](#)

English

---

### Product Specifications

[Application Specification](#)

English