



Connectors > Connector Accessories > Connector Hardware



Connector Hardware Accessory Type: **Screw Retainer Clip**

Hardware Accessory Function: **Latching, Locking & Retention**

Features

Product Type Features

Connector Hardware Accessory Type	Screw Retainer Clip
Hardware Accessory Function	Latching, Locking & Retention

Mechanical Attachment

Thread Size	4-40
-------------	------

Packaging Features

Packaging Method	Bag, Individual
Packaging Quantity	2000

Product Compliance

[For compliance documentation, visit the product page on TE.com>](#)

EU RoHS Directive 2011/65/EU	Compliant
EU ELV Directive 2000/53/EC	Compliant
China RoHS 2 Directive MIIT Order No 32, 2016	No Restricted Materials Above Threshold
EU REACH Regulation (EC) No. 1907/2006	Current ECHA Candidate List: JAN 2025 (247) Candidate List Declared Against: JAN 2025 (247) Does not contain REACH SVHC
Halogen Content	Low Halogen - Br, Cl, F, I < 900 ppm per

homogenous material. Also BFR/CFR/PVC Free

Solder Process Capability

Not applicable for solder process capability

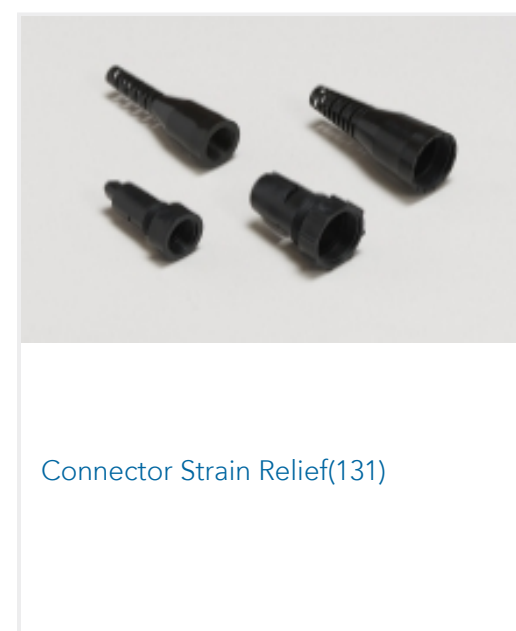
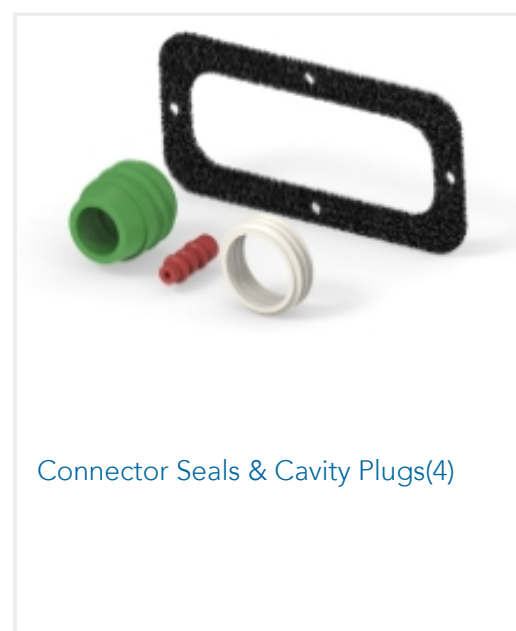
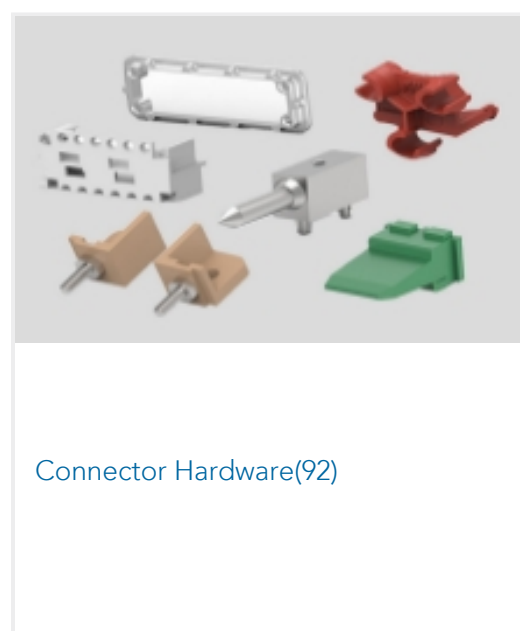
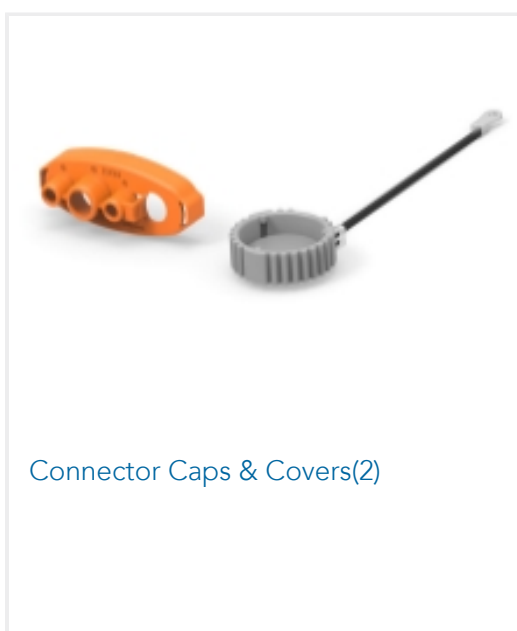
Product Compliance Disclaimer

This information is provided based on reasonable inquiry of our suppliers and represents our current actual knowledge based on the information they provided. This information is subject to change. The part numbers that TE has identified as EU RoHS compliant have a maximum concentration of 0.1% by weight in homogenous materials for lead, hexavalent chromium, mercury, PBB, PBDE, DBP, BBP, DEHP, DIBP, and 0.01% for cadmium, or qualify for an exemption to these limits as defined in the Annexes of Directive 2011/65/EU (RoHS2). Finished electrical and electronic equipment products will be CE marked as required by Directive 2011/65/EU. Components may not be CE marked. Additionally, the part numbers that TE has identified as EU ELV compliant have a maximum concentration of 0.1% by weight in homogenous materials for lead, hexavalent chromium, and mercury, and 0.01% for cadmium, or qualify for an exemption to these limits as defined in the Annexes of Directive 2000/53/EC (ELV). Regarding the REACH Regulation, the information TE provides on SVHC in articles for this part number is based on the latest European Chemicals Agency (ECHA) 'Guidance on requirements for substances in articles' posted at this URL: <https://echa.europa.eu/guidance-documents/guidance-on-reach>

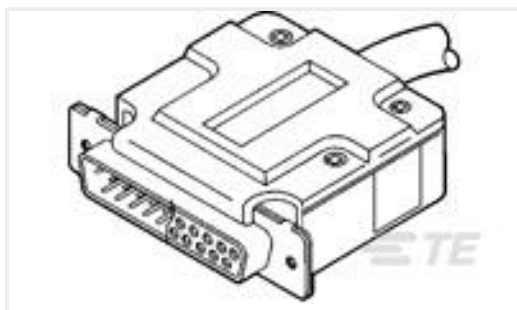
Compatible Parts



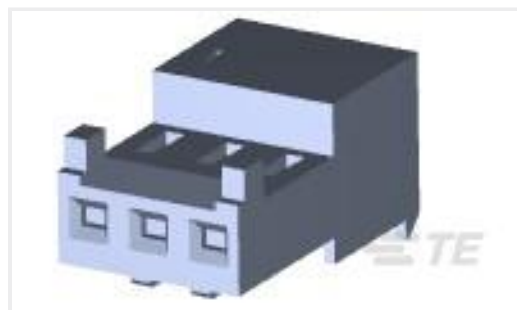
Also in the Series | **AMPLIMITE Kit**



Customers Also Bought



TE Part #207345-1
CABLE CLAMP KIT,SZ 3



TE Part #3-643813-3
03P MTA100 CONN ASSY POL RIB



TE Part #E77288-000
RNF-100-MINI-SPL-3/16-BK



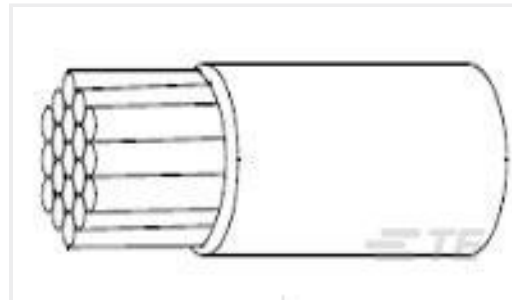
TE Part #1879450-6
TE 500W 2R7 5% Bracket



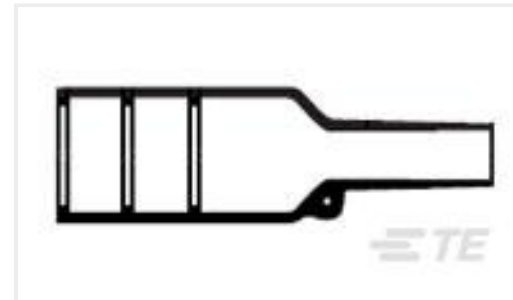
TE Part #5205817-8
KIT SCREWLOCK FEMALE



TE Part #1-480349-0
01P CMNL PLUG HSG F/H NATL



TE Part #216027-008
55A0111-26-9



TE Part #812841-000
202K132-3-0



TE Part #2160273004
55A0111-26-9



TE Part #204522-2
RECEPT ASSY,104 POSN,AMPLIMITE

Documents

Product Drawings

SCREW RETAINER CLIP,AMPLIMITE

English

CAD Files

3D PDF

3D

Customer View Model

[ENG_CVM_CVM_748274-2_K.2d_dxf.zip](#)

English

Customer View Model

[ENG_CVM_CVM_748274-2_K.3d_igs.zip](#)

English

Customer View Model

[ENG_CVM_CVM_748274-2_K.3d_stp.zip](#)

English

By downloading the CAD file I accept and agree to the [Terms and Conditions](#) of use.