

7-180984-0 ✓ ACTIVE

FASTON | FASTON 250

TE Internal #: 7-180984-0

Insulation Boot, Flag, PA 66, Natural, Bag, -25 – 105 °C [-13 – 221 °F], FASTON 250, Insulation Boots & Sleeves

[View on TE.com >](#)



Terminals & Splices > Terminal Housings, Insulation Sleeves & Blocks > Insulation Boots & Sleeves



Insulation Boot & Sleeve Product Type: **Insulation Boot**

Terminal Orientation: **Flag**

Primary Product Material: **PA 66**

Primary Product Color: **Natural**

Packaging Method: **Bag**

Features

Product Type Features

Insulation Boot & Sleeve Product Type	Insulation Boot
---------------------------------------	-----------------

Body Features

Primary Product Material	PA 66
Primary Product Color	Natural

Contact Features

Terminal Orientation	Flag
----------------------	------

Usage Conditions

Operating Temperature Range	-25 – 105 °C[-13 – 221 °F]
-----------------------------	----------------------------

Industry Standards

UL Flammability Rating	UL 94V-2
------------------------	----------

Packaging Features

Packaging Quantity	1000
Packaging Method	Bag



Product Compliance

[For compliance documentation, visit the product page on TE.com>](#)

EU RoHS Directive 2011/65/EU	Compliant
EU ELV Directive 2000/53/EC	Compliant
China RoHS 2 Directive MIIT Order No 32, 2016	No Restricted Materials Above Threshold
EU REACH Regulation (EC) No. 1907/2006	Current ECHA Candidate List: JAN 2025 (247) Candidate List Declared Against: JAN 2025 (247) Does not contain REACH SVHC
Halogen Content	Low Halogen - Br, Cl, F, I < 900 ppm per homogenous material. Also BFR/CFR/PVC Free
Solder Process Capability	Not applicable for solder process capability

Product Compliance Disclaimer

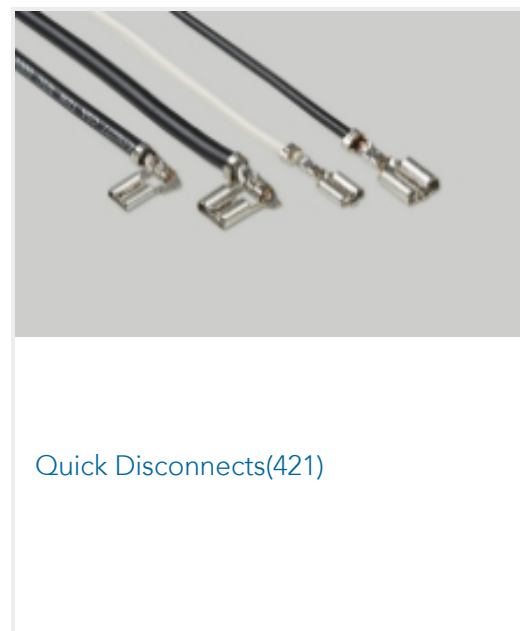
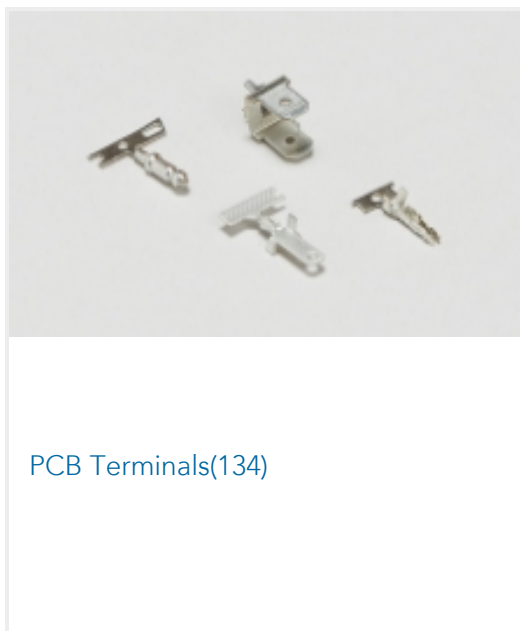
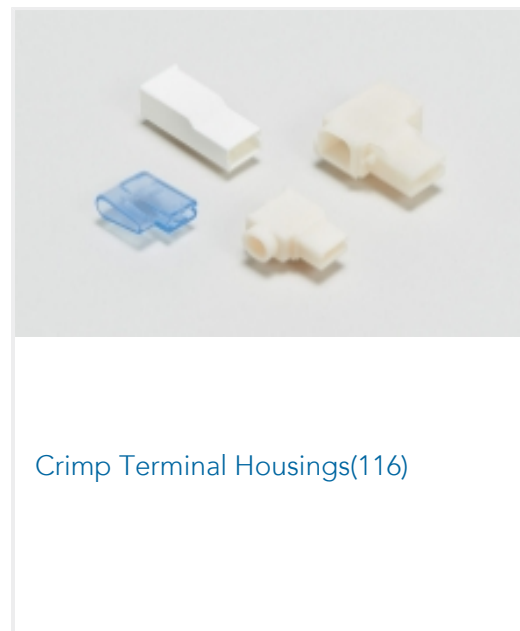
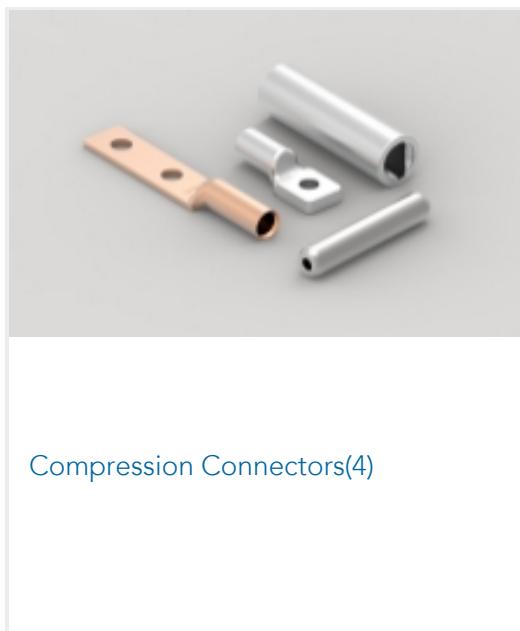
This information is provided based on reasonable inquiry of our suppliers and represents our current actual knowledge based on the information they provided. This information is subject to change. The part numbers that TE has identified as EU RoHS compliant have a maximum concentration of 0.1% by weight in homogenous materials for lead, hexavalent chromium, mercury, PBB, PBDE, DBP, BBP, DEHP, DIBP, and 0.01% for cadmium, or qualify for an exemption to these limits as defined in the Annexes of Directive 2011/65/EU (RoHS2). Finished electrical and electronic equipment products will be CE marked as required by Directive 2011/65/EU. Components may not be CE marked. Additionally, the part numbers that TE has identified as EU ELV compliant have a maximum concentration of 0.1% by weight in homogenous materials for lead, hexavalent chromium, and mercury, and 0.01% for cadmium, or qualify for an exemption to these limits as defined in the Annexes of Directive 2000/53/EC (ELV). Regarding the REACH Regulation, the information TE provides on SVHC in articles for this part number is based on the latest European Chemicals Agency (ECHA) 'Guidance on requirements for substances in articles' posted at this URL: <https://echa.europa.eu/guidance-documents/guidance-on-reach>

Compatible Parts

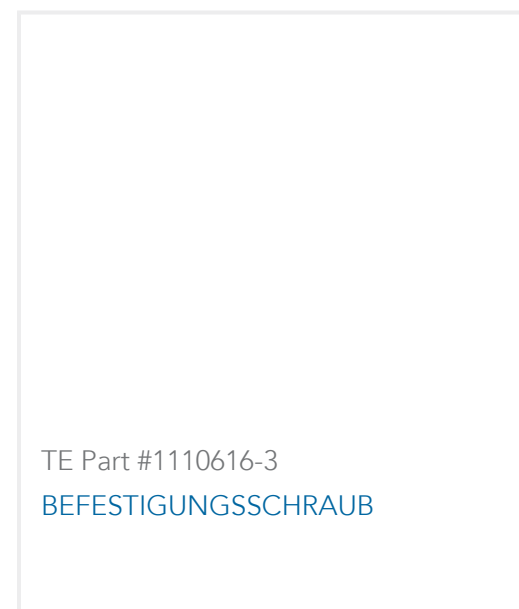
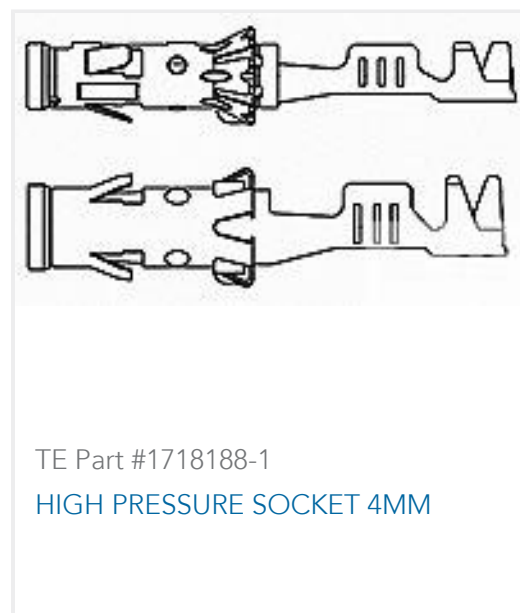




Also in the Series | **FASTON 250**



Customers Also Bought





Documents

Product Drawings

[250 FASTON BOOT FLAG REC. 1P NATURAL](#)

English

CAD Files

[3D PDF](#)

3D

Customer View Model

[ENG_CVM_CVM_7-180984-0_AY.2d_dxf.zip](#)

English

Customer View Model

[ENG_CVM_CVM_7-180984-0_AY.3d_igs.zip](#)

English

Customer View Model

[ENG_CVM_CVM_7-180984-0_AY.3d_stp.zip](#)

English

By downloading the CAD file I accept and agree to the [Terms and Conditions](#) of use.

Product Specifications

[Blocchetto di protezione per capicorda lamellari femmina a bandiera serie .250](#)

[Product Specification](#)