



Neohm | Neohm CPF

TE Internal #: 7-1614894-7

2M ohm, Surface Mount Precision Resistor, Thin Film, 0805, .1 W, .1 %, ±25 ppm/°C, Solder, 2 Terminations, .55 mm [.022 in] Height, Neohm CPF

[View on TE.com >](#)

Passive Components > Resistors > Surface Mount Resistors



Resistance Value: **2M Ω**

Resistor Type: **Precision Resistor**

Element Type: **Thin Film**

Package Size Code: **0805**

Power Rating: **.1 W**

### Features

#### Product Type Features

Resistor Type	Precision Resistor
Element Type	Thin Film
Package Size Code	0805

#### Configuration Features

Number of Resistors	1
---------------------	---

#### Electrical Characteristics

Resistance Value	2M Ω
Power Rating	.1 W
Resistance Class	1MΩ – 1GΩ
Passive Component Tolerance	.1 %

#### Termination Features

Surface Mount Resistor Termination Type	Solder
Number of Terminations	2

#### Dimensions

Product Height	.55 mm[.022 in]
Product Length	2 mm[.079 in]
Product Width	1.25 mm[.049 in]

#### Usage Conditions



Temperature Coefficient	±25 ppm/°C
-------------------------	------------

**Industry Standards**

Moisture Sensitivity Level	1
----------------------------	---

**Packaging Features**

Packaging Method	Taped & Reeled
------------------	----------------

**Product Compliance**

[For compliance documentation, visit the product page on TE.com>](#)

EU RoHS Directive 2011/65/EU	Compliant
EU ELV Directive 2000/53/EC	Out of Scope
China RoHS 2 Directive MIIT Order No 32, 2016	No Restricted Materials Above Threshold
EU REACH Regulation (EC) No. 1907/2006	Current ECHA Candidate List: JAN 2025 (247) Candidate List Declared Against: JAN 2025 (247) Does not contain REACH SVHC
Halogen Content	Low Halogen - Br, Cl, F, I < 900 ppm per homogenous material. Also BFR/CFR/PVC Free
Solder Process Capability	Reflow solder capable to 260°C

Product Compliance Disclaimer

This information is provided based on reasonable inquiry of our suppliers and represents our current actual knowledge based on the information they provided. This information is subject to change. The part numbers that TE has identified as EU RoHS compliant have a maximum concentration of 0.1% by weight in homogenous materials for lead, hexavalent chromium, mercury, PBB, PBDE, DBP, BBP, DEHP, DIBP, and 0.01% for cadmium, or qualify for an exemption to these limits as defined in the Annexes of Directive 2011/65/EU (RoHS2). Finished electrical and electronic equipment products will be CE marked as required by Directive 2011/65/EU. Components may not be CE marked. Additionally, the part numbers that TE has identified as EU ELV compliant have a maximum concentration of 0.1% by weight in homogenous materials for lead, hexavalent chromium, and mercury, and 0.01% for cadmium, or qualify for an exemption to these limits as defined in the Annexes of Directive 2000/53/EC (ELV). Regarding the REACH Regulation, the information TE provides on SVHC in articles for this part number is based on the latest European Chemicals Agency (ECHA) 'Guidance on requirements for substances in articles' posted at this URL: <https://echa.europa.eu/guidance-documents/guidance-on-reach>

**Compatible Parts**



TE Part # 1-1614959-4  
CPF0805 2M0 0.1% 25PPM 1K RL



TE Part # 1879417-8  
CPF0603 1M0 0.1% 25PPM 5K RL



TE Part # 3-1879216-5  
CPF0402 200K 0.1% 25PPM 1K RL



TE Part # 9-1879216-1  
CPF 0402 158K 0.1% 25PPM 5K RL



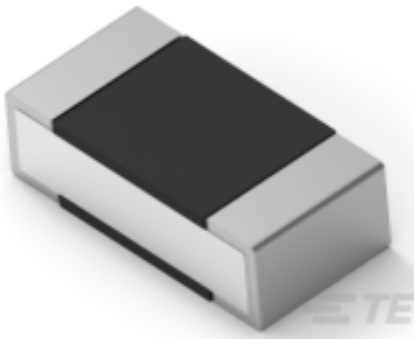
TE Part # 1-1879417-9  
CPF 0603 1M0 0.1% 25PPM 1K RL

### Also in the Series | Neohm CPF



Surface Mount Resistors(5842)

### Customers Also Bought



TE Part #1-2176313-8  
RP 1E 0.1W 200K 0.1% 25PPM 1K RL



TE Part #1614959-8  
CPF0805 1M1 0.1% 25PPM 1K RL



TE Part #1-1614959-2  
CPF0805 1M6 0.1% 25PPM 1K RL



TE Part #1-1676123-4  
1/2W SM M/OX 5% 3R0



TE Part #1-2176280-4  
CPF 0402 140K 0.1% 25PPM 1K RL



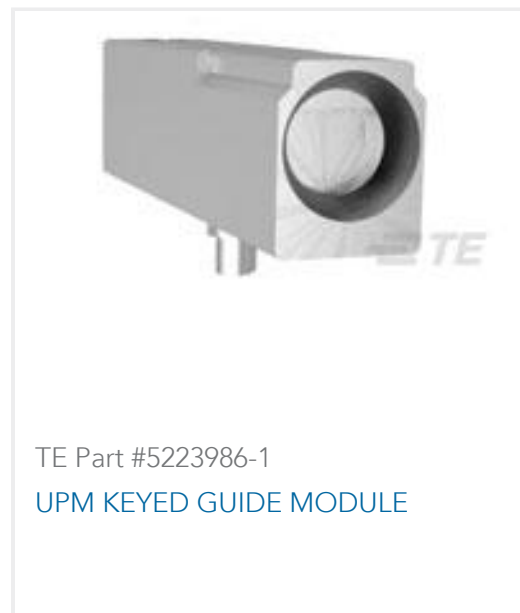
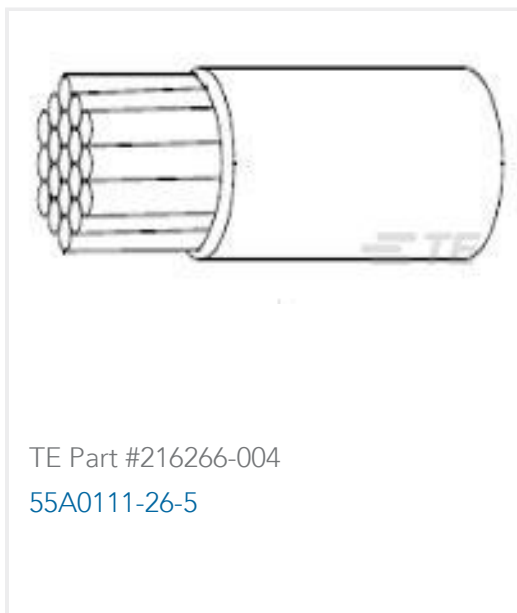
TE Part #4-1614350-5  
RN 0603 158R 0.1% 10PPM CUT LENGTH



TE Part #7-1614894-6  
CPF0805 1M8 0.1% 25PPM 5K RL



TE Part #969973-6  
2x6P HV100 REC. CON, SMD, GOLD, BLISTER



## Documents

### Product Drawings

[CPF0805 2M0 0.1% 25PPM 5K RL](#)

English

### CAD Files

[3D PDF](#)

3D

Customer View Model

[ENG\\_CVM\\_CVM\\_7-1614894-7\\_BA.2d\\_dxf.zip](#)

English

Customer View Model

[ENG\\_CVM\\_CVM\\_7-1614894-7\\_BA.3d\\_igs.zip](#)

English

Customer View Model

[ENG\\_CVM\\_CVM\\_7-1614894-7\\_BA.3d\\_stp.zip](#)

English

By downloading the CAD file I accept and agree to the [Terms and Conditions](#) of use.

### Datasheets & Catalog Pages

[CPF-1016](#)

English