

KUHP-11DT1-12 ✓ ACTIVE

Potter & Brumfield | Potter & Brumfield KUHP

TE Internal #: 7-1393114-2

General Purpose Power Relay, DC, Monostable, 2 Form C DPDT-CO, 20 A Contact Rating, 12 VDC Coil Voltage, Potter & Brumfield KUHP

[View on TE.com >](#)



Relays & Contactors > Electromechanical Relays



Relay & Contactor Type: **General Purpose Power Relay**

Current Type: **DC**

Coil Magnetic System: **Monostable**

Contact Arrangement: **2 Form C DPDT-CO**

Contact Current Rating: **20 A**

Features

Product Type Features

Relay & Contactor Type	General Purpose Power Relay
------------------------	-----------------------------

Configuration Features

Contact Number of Poles	2
Coil Special Features	UL Coil Insulation Class B
Contact Arrangement	2 Form C DPDT-CO

Electrical Characteristics

Contact Limiting Short-Time Current	20 A
Contact Limiting Making Current	20 A
Contact Limiting Continuous Current	20 A
Contact Limiting Breaking Current	20 A
Insulation Initial Dielectric Between Open Contacts	1200 Vrms
Insulation Initial Dielectric Between Adjacent Contacts	3750 Vrms
Contact Switching Load (Min)	300mA @ 12V
Coil Resistance	120 Ω
Insulation Initial Resistance	100 M Ω
Contact Current Rating	20 A
Coil Voltage Rating	12 VDC
Contact Voltage Rating	240 VAC



Coil Power Rating DC	1.2 W
----------------------	-------

Insulation Initial Dielectric Between Contacts & Coil	3750 Vrms
---	-----------

Body Features

Product Weight	92 g[3.245 oz]
----------------	----------------

Enclosure Type	Dust Protected
----------------	----------------

Contact Features

Contact Material	Silver Cadmium Oxide
------------------	----------------------

Termination Features

Main Termination & Connection Type	Quick Connect Terminals
------------------------------------	-------------------------

Coil Termination & Connection Type	Quick Connect Terminals
------------------------------------	-------------------------

Mechanical Attachment

Product Mounting Feature Type	Flange with Mounting Slots
-------------------------------	----------------------------

Product Mount Type	Panel Mount
--------------------	-------------

Dimensions

Product Width	35.38 mm[1.39 in]
---------------	-------------------

Product Length	60.5 mm[2.38 in]
----------------	------------------

Product Height	62.51 mm[2.46 in]
----------------	-------------------

Usage Conditions

Operating Temperature Range	-45 – 70 °C[-49 – 158 °F]
-----------------------------	---------------------------

Environmental Category of Protection	RTI
--------------------------------------	-----

Environmental Ambient Temperature (Max)	70 °C[158 °F]
---	---------------

Operation/Application

Current Type	DC
--------------	----

Coil Magnetic System	Monostable
----------------------	------------

Packaging Features

Packaging Method	Package
------------------	---------

Other

Coil Power Rating Class	1 – 1.5 W
-------------------------	-----------

Contact Current Class	16 A
-----------------------	------

Environmental Ambient Temperature Class	50 – 70 °C
---	------------

Length Class (Mechanical)	35 – 40 mm
---------------------------	------------



Width Class (Mechanical)	30 – 40 mm
--------------------------	------------

Product Compliance

[For compliance documentation, visit the product page on TE.com>](#)

EU RoHS Directive 2011/65/EU	Not Yet Reviewed
EU ELV Directive 2000/53/EC	Compliant
China RoHS 2 Directive MIIT Order No 32, 2016	Not reviewed for China RoHS compliance
EU REACH Regulation (EC) No. 1907/2006	Current ECHA Candidate List: JAN 2025 (247) Candidate List Declared Against: JAN 2023 (233) SVHC > Threshold: Cadmium oxide (10% in component part) Article Safe Usage Statements: Use personal protective equipment as required. Do not eat, drink or smoke when using this product. Recycle if possible and dispose of the article by following all applicable governmental regulations relevant to your geographic location.
Halogen Content	Not Low Halogen - contains Br or Cl > 900 ppm.
Solder Process Capability	Not applicable for solder process capability

Product Compliance Disclaimer

This information is provided based on reasonable inquiry of our suppliers and represents our current actual knowledge based on the information they provided. This information is subject to change. The part numbers that TE has identified as EU RoHS compliant have a maximum concentration of 0.1% by weight in homogenous materials for lead, hexavalent chromium, mercury, PBB, PBDE, DBP, BBP, DEHP, DIBP, and 0.01% for cadmium, or qualify for an exemption to these limits as defined in the Annexes of Directive 2011/65/EU (RoHS2). Finished electrical and electronic equipment products will be CE marked as required by Directive 2011/65/EU. Components may not be CE marked. Additionally, the part numbers that TE has identified as EU ELV compliant have a maximum concentration of 0.1% by weight in homogenous materials for lead, hexavalent chromium, and mercury, and 0.01% for cadmium, or qualify for an exemption to these limits as defined in the Annexes of Directive 2000/53/EC (ELV). Regarding the REACH Regulation, the information TE provides on SVHC in articles for this part number is based on the latest European Chemicals Agency (ECHA) 'Guidance on requirements for substances in articles' posted at this URL: <https://echa.europa.eu/guidance-documents/guidance-on-reach>

Compatible Parts



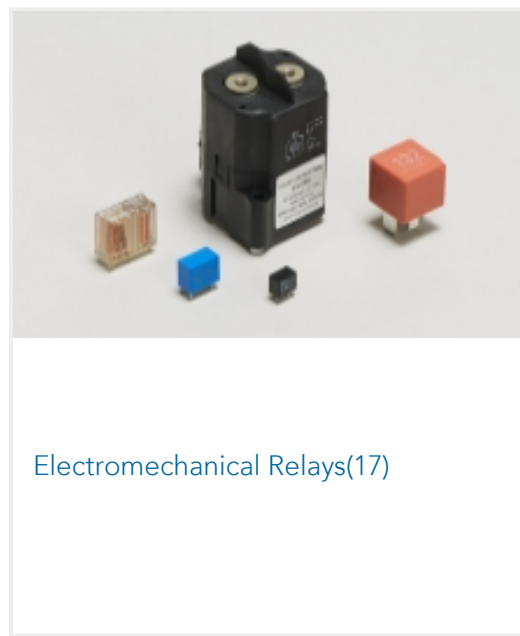
Also in the Series | Potter & Brumfield KUHP



AC Relays(8)



DC Relays(9)



Electromechanical Relays(17)

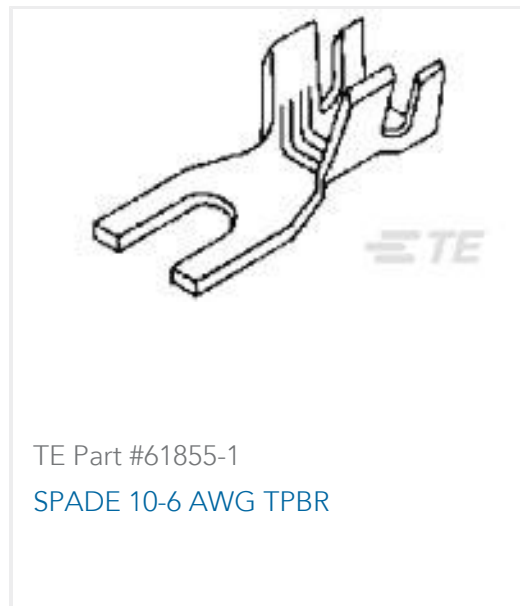
Customers Also Bought



TE Part #2213626-1
GASKET, SEALING ROT DIM RECEPT



TE Part #52263-2
TERMINAL R PG 8 10



TE Part #61855-1
SPADE 10-6 AWG TPBR



TE Part #6648318-1
CONTACT,SKT,#12



TE Part #1-1609112-1
15CS1=F8271



TE Part #1648133-1
235-0163-01100=CONN,SKT.SQR DWR



TE Part #62409-1
250 FASTON TAB TPBR



TE Part #382811-8
SHUNT, ECON, PHBR 5AU, BLACK



TE Part #1-6609021-1
20VB1=F7130 S0



TE Part #5-1393144-0
K10P-11DT5-12=K10/K20

Documents

CAD Files

Customer View Model

[ENG_CVM_7-1393114-2_0303.3d_igs.zip](#)

English

Customer View Model

[ENG_CVM_7-1393114-2_0303.3d_stp.zip](#)

English

Customer View Model

[ENG_CVM_7-1393114-2_0303.2d_dxf.zip](#)



English

[3D PDF](#)

English

By downloading the CAD file I accept and agree to the [Terms and Conditions](#) of use.

Datasheets & Catalog Pages

[KUHP 30 Amp Power Relays](#)

English

Product Specifications

[Definitions General Purpose Relays](#)

English

Agency Approvals

[UL](#)

English