

643182-2 ✓ ACTIVE

MATE-N-LOK | Universal MATE-N-LOK

TE Internal #: 643182-2

Strain Relief Adapter, Nylon, White, UL 94V-0, Universal MATE-N-LOK

[View on TE.com >](#)



Connectors > Connector Accessories > Connector Strain Relief



Strain Relief Accessory Type: **Strain Relief Adapter**

Primary Product Material: **Nylon**

Primary Product Color: **White**

UL Flammability Rating: **UL 94V-0**

Packaging Method: **Bag**

Features

Product Type Features

Strain Relief Accessory Type	Strain Relief Adapter
------------------------------	-----------------------

Body Features

Primary Product Material	Nylon
Primary Product Color	White

Industry Standards

Compatible With Agency/Standards Products	CSA, UL, VDE
UL Flammability Rating	UL 94V-0

Packaging Features

Packaging Method	Bag
Packaging Quantity	6000

Product Compliance

[For compliance documentation, visit the product page on TE.com>](#)

EU RoHS Directive 2011/65/EU	Compliant
------------------------------	-----------

EU ELV Directive 2000/53/EC

Compliant

China RoHS 2 Directive MIIT Order No 32, 2016

No Restricted Materials Above Threshold

EU REACH Regulation (EC) No. 1907/2006

Current ECHA Candidate List: JAN 2025
(247)Candidate List Declared Against: JAN 2025
(247)

Does not contain REACH SVHC

Halogen Content

Low Halogen - Br, Cl, F, I < 900 ppm per
homogenous material. Also BFR/CFR/PVC
Free

Solder Process Capability

Not applicable for solder process capability

Product Compliance Disclaimer

This information is provided based on reasonable inquiry of our suppliers and represents our current actual knowledge based on the information they provided. This information is subject to change. The part numbers that TE has identified as EU RoHS compliant have a maximum concentration of 0.1% by weight in homogenous materials for lead, hexavalent chromium, mercury, PBB, PBDE, DBP, BBP, DEHP, DIBP, and 0.01% for cadmium, or qualify for an exemption to these limits as defined in the Annexes of Directive 2011/65/EU (RoHS2). Finished electrical and electronic equipment products will be CE marked as required by Directive 2011/65/EU. Components may not be CE marked. Additionally, the part numbers that TE has identified as EU ELV compliant have a maximum concentration of 0.1% by weight in homogenous materials for lead, hexavalent chromium, and mercury, and 0.01% for cadmium, or qualify for an exemption to these limits as defined in the Annexes of Directive 2000/53/EC (ELV). Regarding the REACH Regulation, the information TE provides on SVHC in articles for this part number is based on the latest European Chemicals Agency (ECHA) 'Guidance on requirements for substances in articles' posted at this URL: <https://echa.europa.eu/guidance-documents/guidance-on-reach>

Compatible Parts

Also in the Series | [Universal MATE-N-LOK](#)



Circular Power Connectors(2)



Connector Caps & Covers(34)



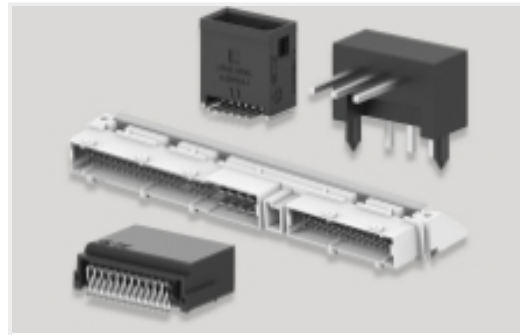
Connector Seals & Cavity Plugs(27)



Connector Strain Relief(7)



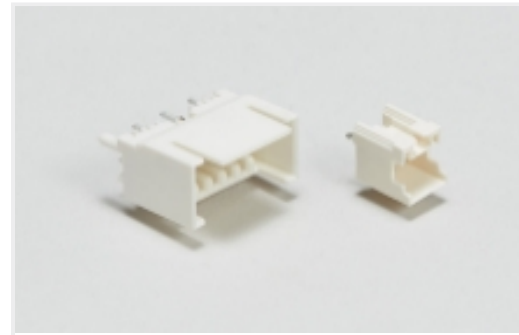
Insertion & Extraction Tools(4)



PCB Headers & Receptacles(286)

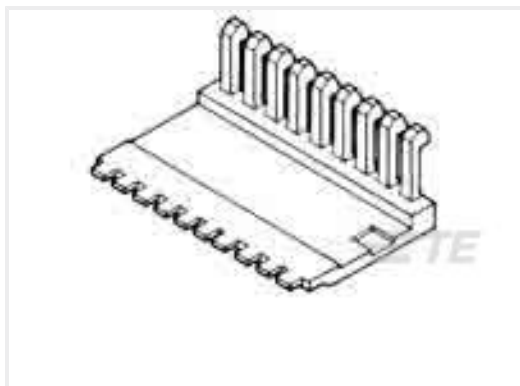


Rectangular Power Connectors(651)



Wire-to-Board Headers & Receptacles (286)

Customers Also Bought



TE Part #102536-3
10 AMPMODU MT COVER DR .100CL



TE Part #640714-1
03P UMNL STR/REL



TE Part #83012-000
VCS-04 Level Switch, M8x1.25, Water



TE Part #ZPF00000000110288
787-8055-21M



TE Part #3-1879453-1
TE 1000W 330R 5% Bracket



TE Part #CAT-3984552-PHITPS
CT Post Header Assembly: Part. Shrouded



TE Part #641776-1
04P UMNL STR/REL



TE Part #1-640719-0
02P UMNL STR/REL & INSRT NATL



TE Part #C95590-000
1330-3300-101TT

Documents



Product Drawings

UMNL STR/REL ADAPTER CAP

English

CAD Files

3D PDF

3D

Customer View Model

[ENG_CVM_CVM_643182-2_R.2d_dxf.zip](#)

English

Customer View Model

[ENG_CVM_CVM_643182-2_R.3d_igs.zip](#)

English

Customer View Model

[ENG_CVM_CVM_643182-2_R.3d_stp.zip](#)

English

3D PDF

English

Customer View Model

[ENG_CVM_643182-2_C.2d_dxf.zip](#)

English

Customer View Model

[ENG_CVM_643182-2_C.3d_igs.zip](#)

English

Customer View Model

[ENG_CVM_643182-2_C.3d_stp.zip](#)

English

By downloading the CAD file I accept and agree to the [Terms and Conditions](#) of use.

Datasheets & Catalog Pages

SOFT_SHELL_PIN_SOCKET_CONNECTORS_STANDARD_DENSITY

English

Product Specifications

Application Specification

English

Instruction Sheets

Instruction Sheet (U.S.)

English