



MTA 100

TE Internal #: 641994-1

Keying Plug, Natural, Nylon 6/6, MTA 100

[View on TE.com >](#)

Connectors > Connector Accessories > Connector Hardware



Connector Hardware Accessory Type: **Keying Plug**

Primary Product Color: **Natural**

Primary Product Material: **Nylon 6/6**

Operating Temperature (Max): **105 °C [221 °F]**

Operating Temperature Range: **-55 – 105 °C [-67 – 221 °F]**

Features

Product Type Features

Connector Hardware Accessory Type	Keying Plug
Hardware Accessory Function	Coding & Keying

Body Features

Primary Product Color	Natural
Primary Product Material	Nylon 6/6

Usage Conditions

Operating Temperature (Max)	105 °C[221 °F]
Operating Temperature Range	-55 – 105 °C[-67 – 221 °F]

Industry Standards

UL Flammability Rating	UL 94V-2
------------------------	----------

Packaging Features

Packaging Method	Carton
Packaging Quantity	10

Product Compliance



[For compliance documentation, visit the product page on TE.com>](#)

EU RoHS Directive 2011/65/EU	Compliant
EU ELV Directive 2000/53/EC	Compliant
China RoHS 2 Directive MIIT Order No 32, 2016	No Restricted Materials Above Threshold
EU REACH Regulation (EC) No. 1907/2006	Current ECHA Candidate List: JAN 2025 (247) Candidate List Declared Against: JUNE 2024 (241) Does not contain REACH SVHC
Halogen Content	Low Halogen - Br, Cl, F, I < 900 ppm per homogenous material. Also BFR/CFR/PVC Free
Solder Process Capability	Not applicable for solder process capability

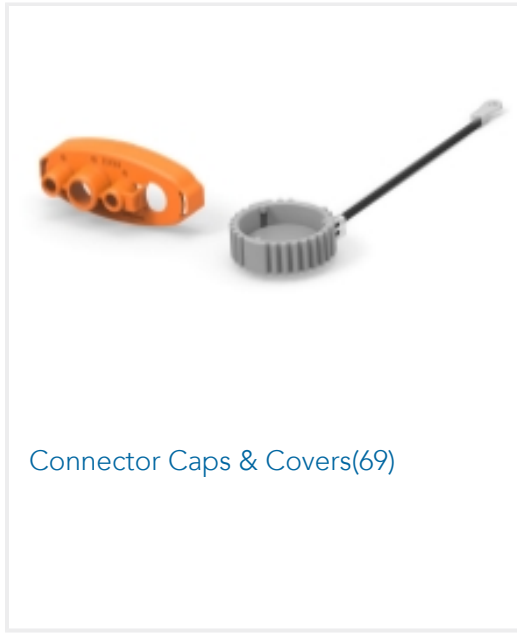
Product Compliance Disclaimer

This information is provided based on reasonable inquiry of our suppliers and represents our current actual knowledge based on the information they provided. This information is subject to change. The part numbers that TE has identified as EU RoHS compliant have a maximum concentration of 0.1% by weight in homogenous materials for lead, hexavalent chromium, mercury, PBB, PBDE, DBP, BBP, DEHP, DIBP, and 0.01% for cadmium, or qualify for an exemption to these limits as defined in the Annexes of Directive 2011/65/EU (RoHS2). Finished electrical and electronic equipment products will be CE marked as required by Directive 2011/65/EU. Components may not be CE marked. Additionally, the part numbers that TE has identified as EU ELV compliant have a maximum concentration of 0.1% by weight in homogenous materials for lead, hexavalent chromium, and mercury, and 0.01% for cadmium, or qualify for an exemption to these limits as defined in the Annexes of Directive 2000/53/EC (ELV). Regarding the REACH Regulation, the information TE provides on SVHC in articles for this part number is based on the latest European Chemicals Agency (ECHA) 'Guidance on requirements for substances in articles' posted at this URL: <https://echa.europa.eu/guidance-documents/guidance-on-reach>

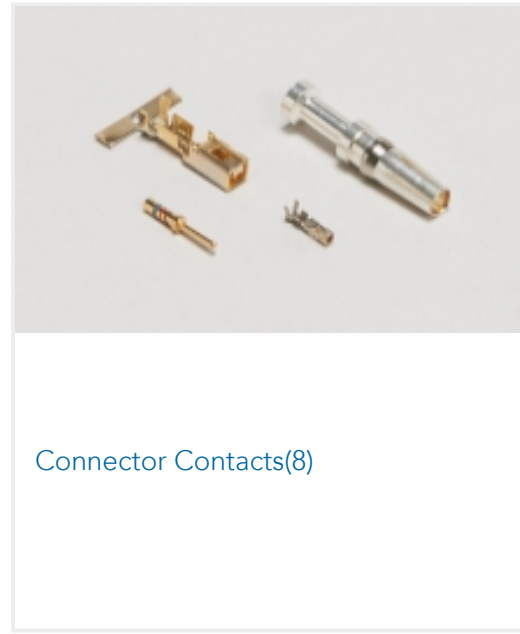
Compatible Parts



Also in the Series | [MTA 100](#)



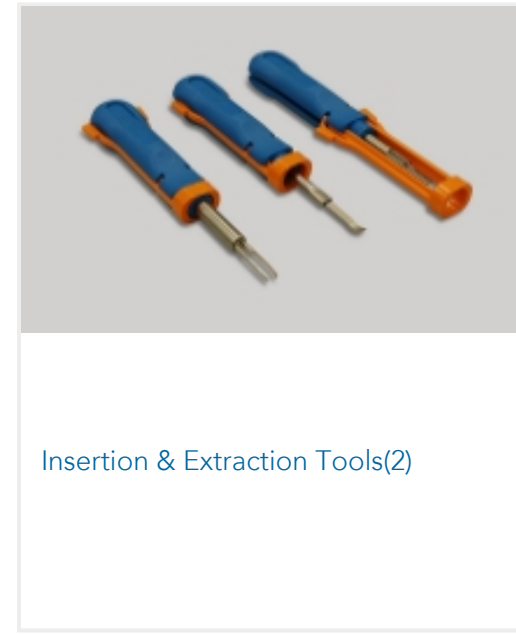
Connector Caps & Covers(69)



Connector Contacts(8)



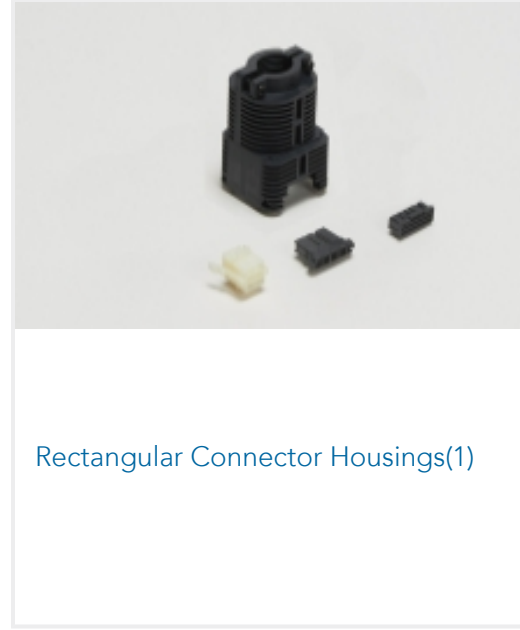
Connector Hardware(1)



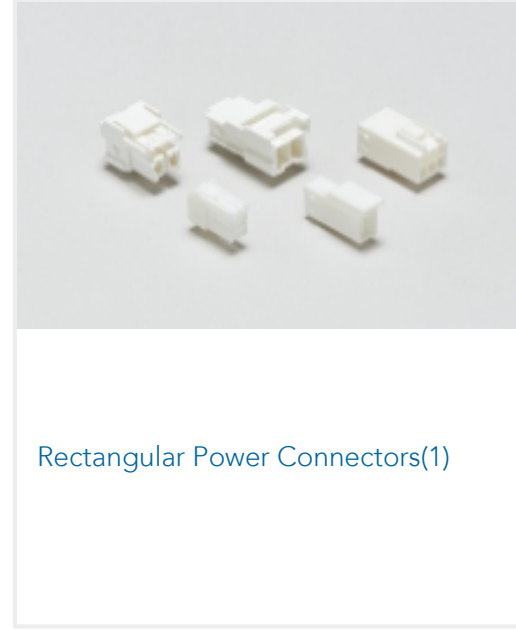
Insertion & Extraction Tools(2)



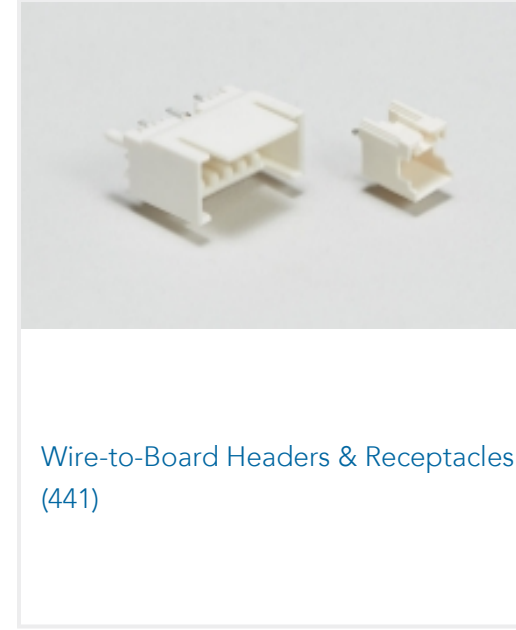
PCB Headers & Receptacles(441)



Rectangular Connector Housings(1)



Rectangular Power Connectors(1)



Wire-to-Board Headers & Receptacles (441)

Customers Also Bought



TE Part #3-641190-3
03P MTA100 CONN ASSY RED LF



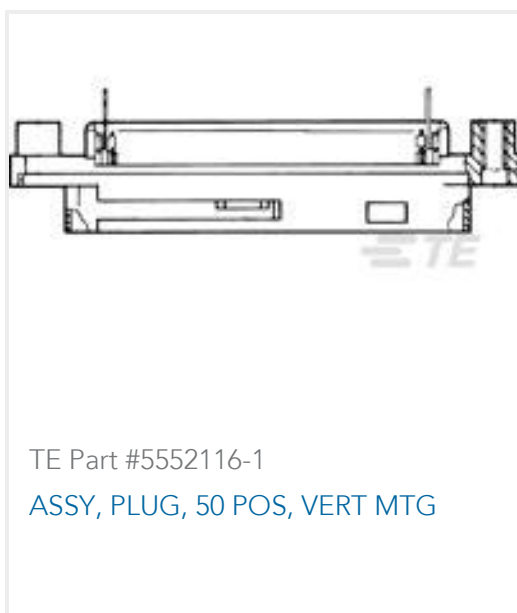
TE Part #5-103945-3
4X4 MTE SHRD PIN SR LATCH .100



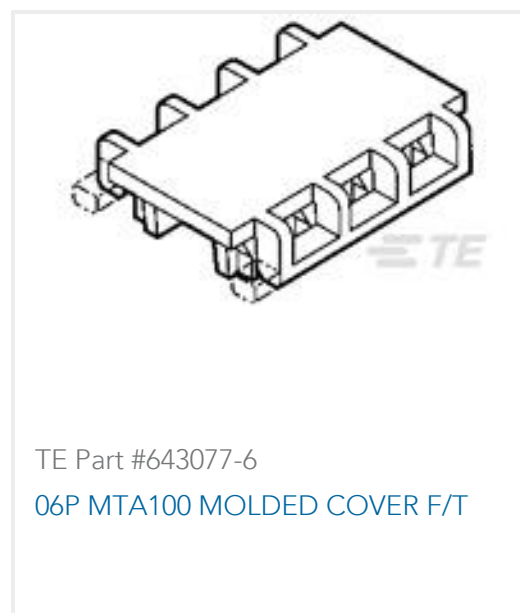
TE Part #5172068-3
DRAWER CONN FEMALE ASSY16P



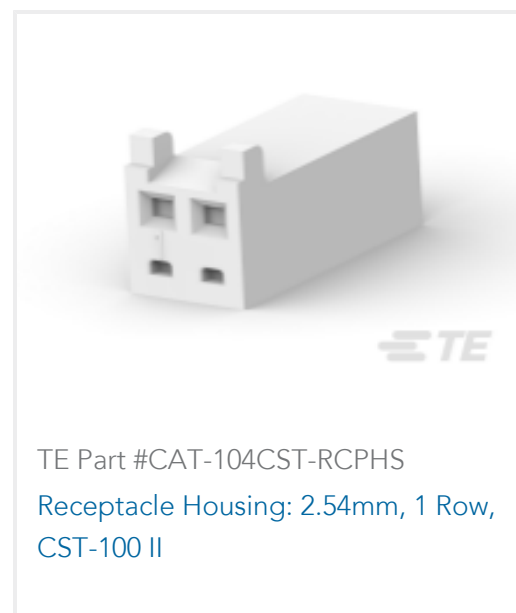
TE Part #3-644563-6
06P MTA100 CONN ASSY F/T 24AWG



TE Part #5552116-1
ASSY, PLUG, 50 POS, VERT MTG



TE Part #643077-6
06P MTA100 MOLDED COVER F/T



TE Part #CAT-104CST-RCPHS
Receptacle Housing: 2.54mm, 1 Row, CST-100 II



TE Part #172059-3
DRAWER CONN 16P MALE



TE Part #3-640433-6
06P MTA156 CONN ASSY 22AWG RED

Documents



Product Drawings

MTA100 KEYING PLUG W/

English

CAD Files

3D PDF

3D

Customer View Model

[ENG_CVM_CVM_641994-1_H.2d_dxf.zip](#)

English

Customer View Model

[ENG_CVM_CVM_641994-1_H.3d_igs.zip](#)

English

Customer View Model

[ENG_CVM_CVM_641994-1_H.3d_stp.zip](#)

English

Customer View Model

[ENG_CVM_641994-1_D1.2d_dxf.zip](#)

English

Customer View Model

[ENG_CVM_641994-1_D1.3d_igs.zip](#)

English

Customer View Model

[ENG_CVM_641994-1_D1.3d_stp.zip](#)

English

3D PDF

English

By downloading the CAD file I accept and agree to the [Terms and Conditions](#) of use.

Product Specifications

Application Specification

English