

63643-1 ✓ ACTIVE

MAG-MATE

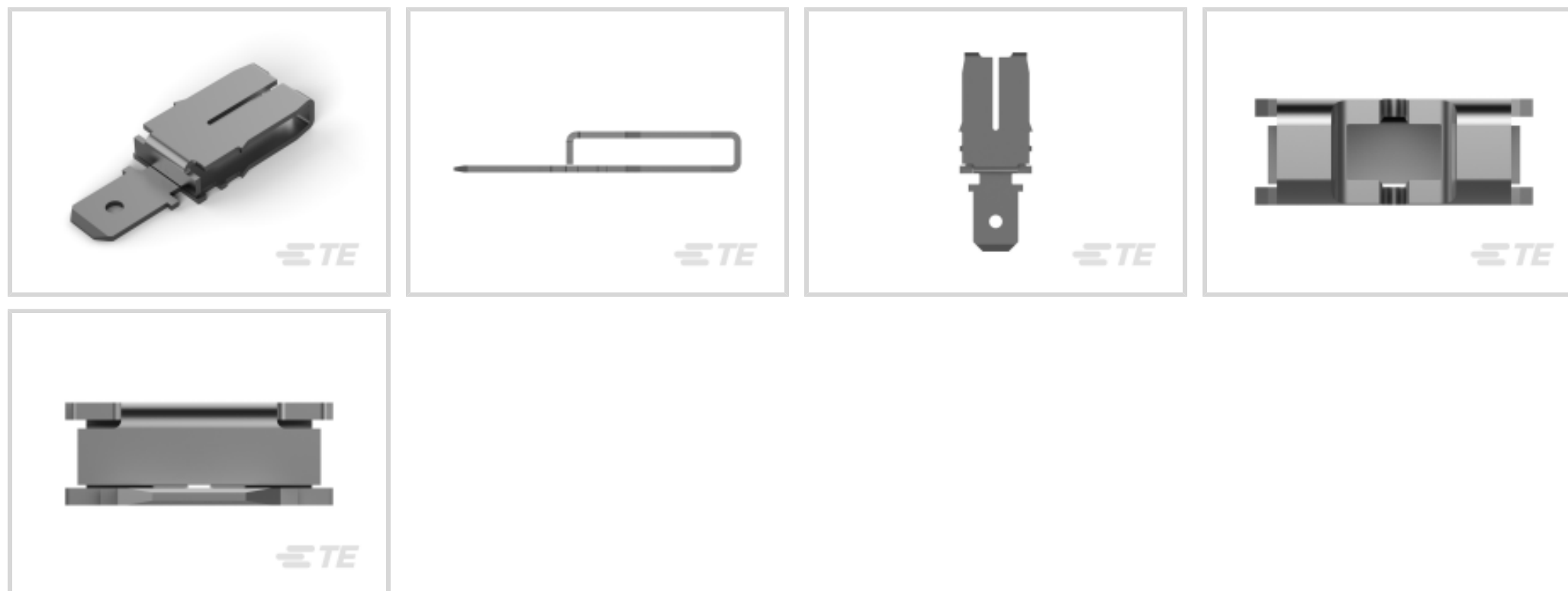
TE Internal #: 63643-1

Tab, 4.78 mm [.188 in] Tab Width, 18.5 – 16.5 AWG Aluminum Wire,
.97 – 1.22 mm Aluminum Wire, MAG-MATE, Magnet Wire Terminals

[View on TE.com >](#)



Terminals & Splices > Magnet Wire Terminals



Magnet Wire Terminal Type: **Tab**

Mating Tab Width: **4.78 mm [.188 in]**

Mating Tab Thickness: **.51 mm [.02 in]**

Compatible With Cavity Size: **Size 4**

Aluminum Wire Size: **.97 – 1.22 mm**

Features

Product Type Features

Compatible With Discrete Wire Type	Magnet Wire, Solid
------------------------------------	--------------------

Body Features

Compatible With Cavity Size	Size 4
-----------------------------	--------

Contact Features

Magnet Wire Terminal Type	Tab
Mating Tab Width	4.78 mm [.188 in]
Mating Tab Thickness	.51 mm [.02 in]
Terminal Plating Material	Tin
Terminal Orientation	Straight

Termination Features

Termination Method to Wire & Cable	Insulation Displacement (IDC)
------------------------------------	-------------------------------

Mechanical Attachment

Mating Retention Type	Hole
-----------------------	------

Dimensions



Terminal Height	12.83 mm[.505 in]
Aluminum Wire Size	18.5 – 16.5 AWG
Magnet Wire Size	.91 – 1.15 mm
Stock Thickness (Magnet Wire Side)	.51 mm[.02 in]
Product Length	21.08 mm[.83 in]

Usage Conditions

Insulation Option	Uninsulated
-------------------	-------------

Operation/Application

Compatible With Wire Base Material	Aluminum, Copper
------------------------------------	------------------

Identification Marking

Identification Number	24
-----------------------	----

Packaging Features

Packaging Quantity	1000
Packaging Method	Reel, Reel/Carton

Product Compliance

[For compliance documentation, visit the product page on TE.com>](#)

EU RoHS Directive 2011/65/EU	Compliant
EU ELV Directive 2000/53/EC	Compliant
China RoHS 2 Directive MIIT Order No 32, 2016	No Restricted Materials Above Threshold
EU REACH Regulation (EC) No. 1907/2006	Current ECHA Candidate List: JAN 2025 (247) Candidate List Declared Against: JAN 2025 (247) Does not contain REACH SVHC
Halogen Content	Low Halogen - Br, Cl, F, I < 900 ppm per homogenous material. Also BFR/CFR/PVC Free
Solder Process Capability	Not applicable for solder process capability

Product Compliance Disclaimer

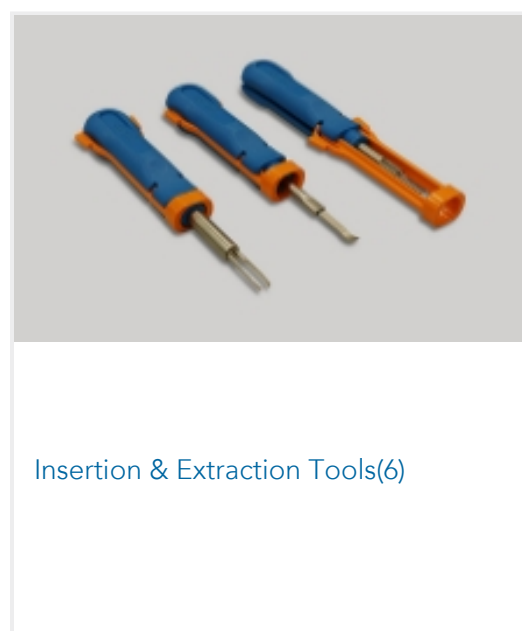
This information is provided based on reasonable inquiry of our suppliers and represents our current actual knowledge based on the information they provided. This information is subject to change. The part numbers that TE has identified as EU RoHS compliant have a maximum concentration of 0.1% by weight in homogenous materials for lead, hexavalent chromium, mercury, PBB, PBDE, DBP, BBP, DEHP, DIBP, and 0.01% for cadmium, or qualify for an exemption to these limits as defined in the Annexes of Directive 2011/65/EU (RoHS2). Finished electrical and electronic equipment products will be CE marked as required by Directive 2011/65/EU. Components may not be CE marked. Additionally, the part numbers that TE has identified as EU ELV compliant have a maximum concentration of 0.1% by weight in homogenous materials for lead, hexavalent chromium, and mercury, and 0.01% for cadmium, or qualify for an exemption to these limits

as defined in the Annexes of Directive 2000/53/EC (ELV). Regarding the REACH Regulation, the information TE provides on SVHC in articles for this part number is based on the latest European Chemicals Agency (ECHA) 'Guidance on requirements for substances in articles' posted at this URL: <https://echa.europa.eu/guidance-documents/guidance-on-reach>

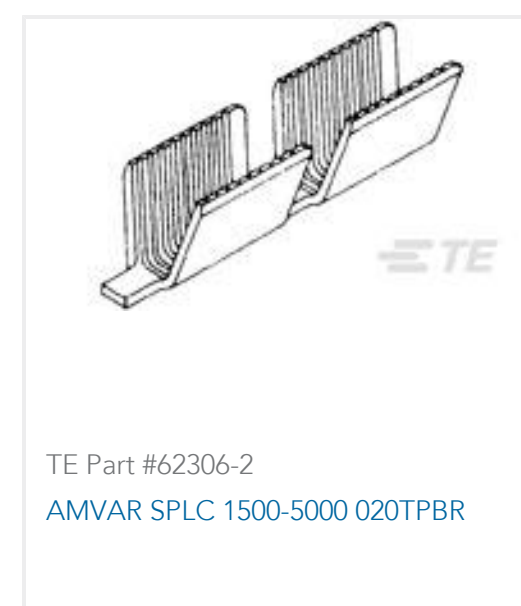
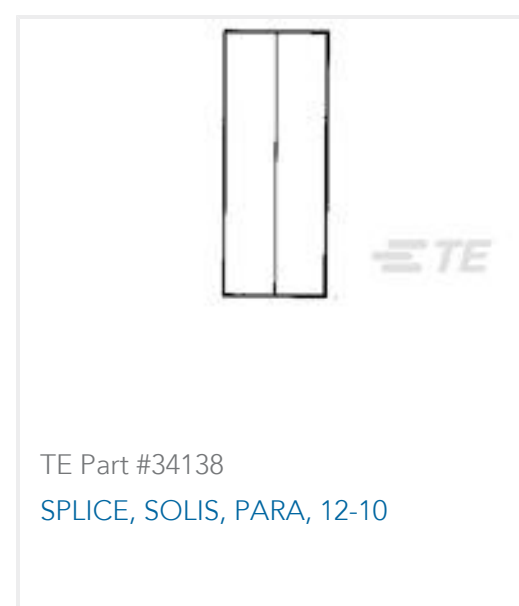
Compatible Parts

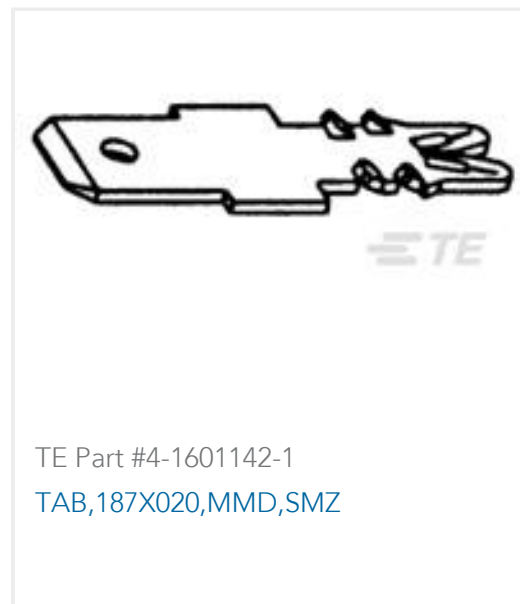


Also in the Series | MAG-MATE



Customers Also Bought





Documents

Product Drawings

MAG-MATE 187 FAST TAB 0198TPBR

English

CAD Files

3D PDF

3D

Customer View Model

[ENG_CVM_CVM_63643-1_G.2d_dxf.zip](#)

English

Customer View Model

[ENG_CVM_CVM_63643-1_G.3d_igs.zip](#)

English

Customer View Model

[ENG_CVM_CVM_63643-1_G.3d_stp.zip](#)

English

By downloading the CAD file I accept and agree to the [Terms and Conditions](#) of use.

Datasheets & Catalog Pages

Magnet Wire Terminals & Splices

English

Product Specifications

Application Specification

English