

6339447-9 ✓ ACTIVE

CHAMP

TE Internal #: 6339447-9

50 Position D-Shaped Connector, Receptacle, Cable-to-Board,
Board Mount, 2.16 mm [.085 in] Centerline, Printed Circuit Board,
Signal

[View on TE.com >](#)



Connectors > D-Shaped Connectors > D-Sub Shielded Receptacle Assembly: Right Angle, 2.16mm



Number of Positions: 50

Connector & Housing Type: Receptacle

Connector System: Cable-to-Board

Connector Mounting Type: Board Mount

Centerline (Pitch): 2.16 mm [.085 in]

[All D-Sub Shielded Receptacle Assembly: Right Angle, 2.16mm \(20\)](#)

Features

Product Type Features

Connector & Housing Type	Receptacle
Connector System	Cable-to-Board
Connector & Contact Terminates To	Printed Circuit Board

Configuration Features

PCB Mount Orientation	Right Angle
Number of Rows	2
Number of Positions	50

Body Features

Assembly Process Feature Material	Carbon Steel
Shield Plating Material	Nickel
Shield Plating Finish	Bright
Shield Material	Copper-Zinc Alloy
Connector Profile	Standard

Contact Features

	30 μ m
Contact Shape & Form	Rectangular
Contact Mating Area Plating Material	Gold (Au)



Contact Base Material	Copper Alloy
PCB Contact Termination Area Plating Material	Tin
Contact Current Rating (Max)	3.5 A
Contact Options	Installed

Termination Features

Rectangular Termination Post & Tail Width	.5 mm[.019 in]
Rectangular Termination Post & Tail Thickness	.25 mm[.01 in]
Termination Method to PCB	Through Hole - Solder
Termination Post & Tail Length	3.18 mm[.125 in]

Mechanical Attachment

Mating Retention Type	4-40 Tapped Holes
PCB Mount Retention	With
Mating Retention	With
PCB Mount Retention Type	Boardlock
Assembly Process Feature Plating Material	Tin
Connector Mounting Type	Board Mount

Housing Features

Housing Material	Polyester GF
Centerline (Pitch)	2.16 mm[.085 in]

Dimensions

Row-to-Row Spacing	4.3 mm[.169 in]
	.062 in

Usage Conditions

Operating Temperature Range	-40 – 105 °C[-40 – 221 °F]
-----------------------------	----------------------------

Operation/Application

Shielded	Yes
Circuit Application	Signal

Packaging Features

Packaging Quantity	40
Packaging Method	Package

Product Compliance

[For compliance documentation, visit the product page on TE.com>](#)

EU RoHS Directive 2011/65/EU	Compliant
EU ELV Directive 2000/53/EC	Compliant
China RoHS 2 Directive MIIT Order No 32, 2016	No Restricted Materials Above Threshold
EU REACH Regulation (EC) No. 1907/2006	Current ECHA Candidate List: JAN 2025 (247) Candidate List Declared Against: JAN 2021 (211) Does not contain REACH SVHC
Halogen Content	Not Low Halogen - contains Br or Cl > 900 ppm.
Solder Process Capability	Wave solder capable to 265°C

Product Compliance Disclaimer

This information is provided based on reasonable inquiry of our suppliers and represents our current actual knowledge based on the information they provided. This information is subject to change. The part numbers that TE has identified as EU RoHS compliant have a maximum concentration of 0.1% by weight in homogenous materials for lead, hexavalent chromium, mercury, PBB, PBDE, DBP, BBP, DEHP, DIBP, and 0.01% for cadmium, or qualify for an exemption to these limits as defined in the Annexes of Directive 2011/65/EU (RoHS2). Finished electrical and electronic equipment products will be CE marked as required by Directive 2011/65/EU. Components may not be CE marked. Additionally, the part numbers that TE has identified as EU ELV compliant have a maximum concentration of 0.1% by weight in homogenous materials for lead, hexavalent chromium, and mercury, and 0.01% for cadmium, or qualify for an exemption to these limits as defined in the Annexes of Directive 2000/53/EC (ELV). Regarding the REACH Regulation, the information TE provides on SVHC in articles for this part number is based on the latest European Chemicals Agency (ECHA) 'Guidance on requirements for substances in articles' posted at this URL: <https://echa.europa.eu/guidance-documents/guidance-on-reach>

Compatible Parts



Customers Also Bought



TE Part #1011-056-0305
SEAL RET, 3P, GRY, DTM



TE Part #2-5747704-0
25 PLUG SP/FMS BRDLK



TE Part #1447009-8
SHIELD FINGER 3525Z



TE Part #1734303-1
SHIELD FINGER 4025B-T



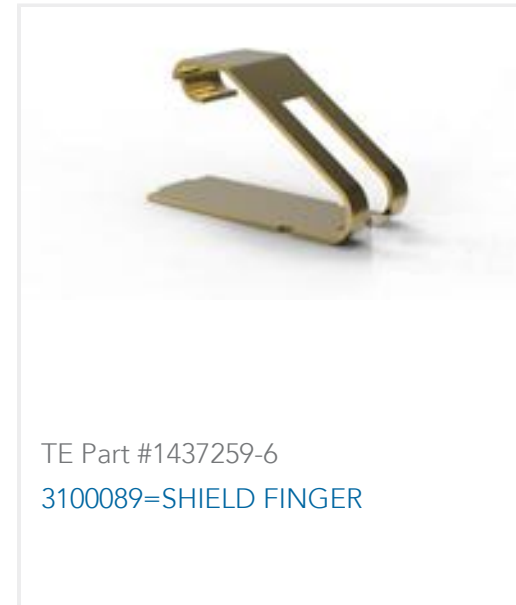
TE Part #2170704-4
CAGE ASSY, QSFP28 1X1, SPRING, HS



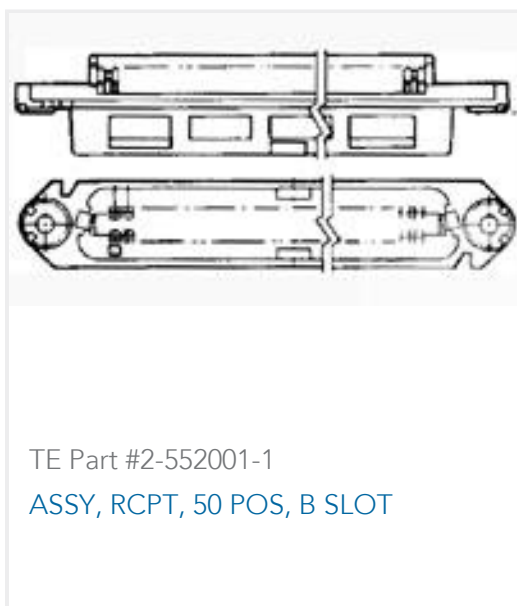
TE Part #1-2176343-1
CRGCQ 1206 68R 1%



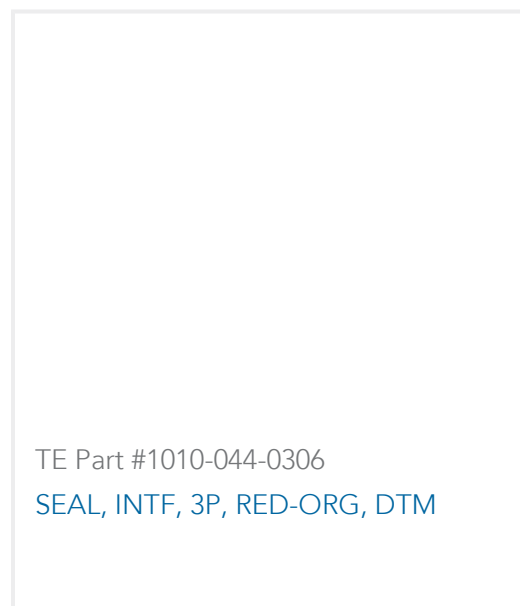
TE Part #4-2176397-1
3502 47R 1%



TE Part #1437259-6
3100089=SHIELD FINGER



TE Part #2-552001-1
ASSY, RCPT, 50 POS, B SLOT



TE Part #1010-044-0306
SEAL, INTF, 3P, RED-ORG, DTM

Documents

Product Drawings

[RCPT ASSY,LP,SHLD,RA50,ILL,RVS](#)

English

CAD Files

[3D PDF](#)

3D

Customer View Model

[ENG_CVM_CVM_6339447-9_B.2d_dxf.zip](#)

English

Customer View Model

[ENG_CVM_CVM_6339447-9_B.3d_igs.zip](#)

English

Customer View Model

[ENG_CVM_CVM_6339447-9_B.3d_stp.zip](#)

English

By downloading the CAD file I accept and agree to the [Terms and Conditions](#) of use.

Product Specifications



Application Specification

English