

61013-2 ✓ ACTIVE

TE Internal #: 61013-2

Pin, 2.77 mm [.109 in] Pin Diameter, 18 – 14 AWG, .8 – 2 mm² Wire,

1624 – 4106 CMA, Open Barrel, Tin Plating, 23.5 mm [.925 in]

Length, Reel, Round

[View on TE.com >](#)



Terminals & Splices > Crimp Wire Pins, Tabs & Ferrules



Crimp Wire Terminal Type: Pin

Mating Pin Diameter: 2.77 mm [.109 in]

Wire Size: 1624 – 4106 CMA

Features

Product Type Features

Compatible With Discrete Wire Type

Solid, Stranded

Configuration Features

Compatible With Wire & Cable Type

Discrete Wire

Contact Features

Crimp Wire Terminal Type

Pin

Mating Pin Diameter

2.77 mm [.109 in]

Barrel Type

Open

Terminal Plating Material

Tin

Contact Shape & Form

Round

Terminal Orientation

Straight

Mechanical Attachment

Wire Insulation Support

Without

Dimensions

Wire Size

1624 – 4106 CMA

Barrel Inside Diameter

1.65 mm [.065 in]

Terminal Material Thickness

.4 mm [.016 in]



Overall Product Length	23.5 mm [.925 in]
------------------------	-------------------

Usage Conditions

Insulation Option	Uninsulated
-------------------	-------------

Packaging Features

Packaging Quantity	7500
--------------------	------

Packaging Method	Reel
------------------	------

Product Compliance

[For compliance documentation, visit the product page on TE.com>](#)

EU RoHS Directive 2011/65/EU	Compliant
------------------------------	-----------

EU ELV Directive 2000/53/EC	Compliant
-----------------------------	-----------

China RoHS 2 Directive MIIT Order No 32, 2016	No Restricted Materials Above Threshold
---	---

EU REACH Regulation (EC) No. 1907/2006	Current ECHA Candidate List: JAN 2025 (247) Candidate List Declared Against: JAN 2025 (247) Does not contain REACH SVHC
--	---

Halogen Content	Low Halogen - Br, Cl, F, I < 900 ppm per homogenous material. Also BFR/CFR/PVC Free
-----------------	---

Solder Process Capability	Not applicable for solder process capability
---------------------------	--

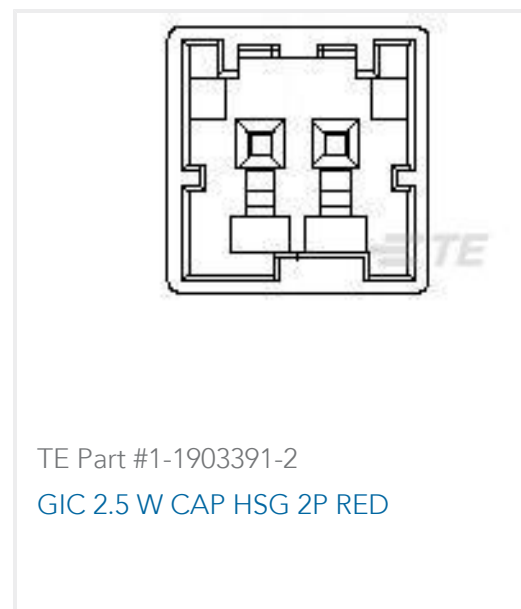
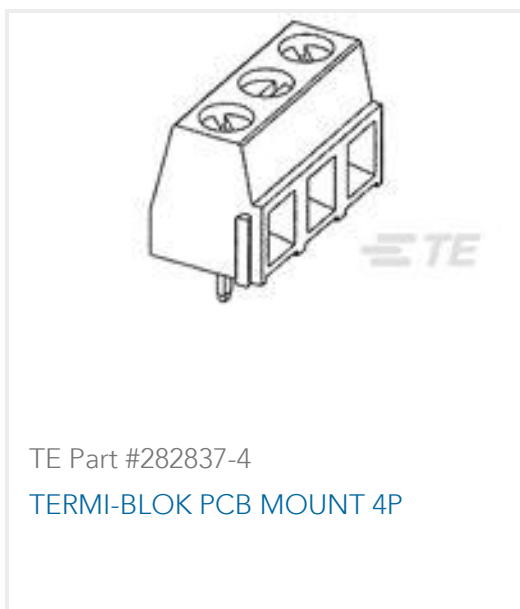
Product Compliance Disclaimer

This information is provided based on reasonable inquiry of our suppliers and represents our current actual knowledge based on the information they provided. This information is subject to change. The part numbers that TE has identified as EU RoHS compliant have a maximum concentration of 0.1% by weight in homogenous materials for lead, hexavalent chromium, mercury, PBB, PBDE, DBP, BBP, DEHP, DIBP, and 0.01% for cadmium, or qualify for an exemption to these limits as defined in the Annexes of Directive 2011/65/EU (RoHS2). Finished electrical and electronic equipment products will be CE marked as required by Directive 2011/65/EU. Components may not be CE marked. Additionally, the part numbers that TE has identified as EU ELV compliant have a maximum concentration of 0.1% by weight in homogenous materials for lead, hexavalent chromium, and mercury, and 0.01% for cadmium, or qualify for an exemption to these limits as defined in the Annexes of Directive 2000/53/EC (ELV). Regarding the REACH Regulation, the information TE provides on SVHC in articles for this part number is based on the latest European Chemicals Agency (ECHA) 'Guidance on requirements for substances in articles' posted at this URL: <https://echa.europa.eu/guidance-documents/guidance-on-reach>

Compatible Parts

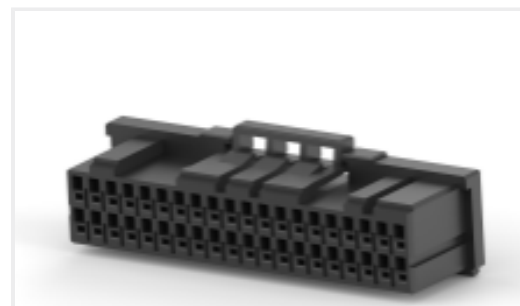


Customers Also Bought





TE Part #52350
TERMINAL R PG 6 1/2



TE Part #1-2333134-0
DYNAMIC 1100D REC HSG X 40P
BLACK 33%GF



TE Part #60641-1
250 FASTON FLAG REC 18-12 AWG
BR



TE Part #1-2350416-0
DYNAMIC 1100D TAB HSG 40P P/M
GF33



TE Part #1903120-1
DYNAMIC D1000 TAB CONT TIN (M)
REEL



TE Part #52957-3
TERMINAL, PG SPR SPD 16-14 10

Documents

Product Drawings

[PIN .109 \(2.77 MM\) 18-14 AWG TPBR](#)

English

CAD Files

[3D PDF](#)

3D

Customer View Model

[ENG_CVM_CVM_61013-2_L.2d_dxf.zip](#)

English

Customer View Model

[ENG_CVM_CVM_61013-2_L.3d_igs.zip](#)

English

Customer View Model

[ENG_CVM_CVM_61013-2_L.3d_stp.zip](#)

English

By downloading the CAD file I accept and agree to the [Terms and Conditions](#) of use.

Product Specifications

[EB**General Application Specification for Open Barrel Terminals](#)

English

[Application Specification](#)

English