



AMP-IN

TE Internal #: 60888-2

Receptacle, 3.18 mm [.125 in] PCB Hole, 26 – 22 AWG, .12 – .4 mm<sup>2</sup>

Wire, Through Hole - Solder, Gold Plating, Box, PCB Terminals

[View on TE.com >](#)

Terminals & Splices > PCB Terminals



PCB Terminal Type: **Receptacle**

PCB Hole Diameter: **3.18 mm [.125 in]**

Mating Pin Diameter: **1.47 mm [.058 in]**

Compatible Insulation Diameter (Max): **1.65 mm [.065 in]**

Compatible Insulation Diameter Range: **.89 – 1.65 mm [.035 – .065 in]**

**Features**

**Product Type Features**

Terminal Features	Stud Hole
-------------------	-----------

**Contact Features**

Contact Mating Area Plating Material Thickness	.76 µm[30 µin]
PCB Terminal Type	Receptacle
Mating Pin Diameter	1.47 mm[.058 in]
Terminal Plating Material	Gold
Contact Underplating Material	Nickel
Terminal Orientation	Straight

**Termination Features**

Termination Method to PCB	Through Hole - Solder
Product Terminates To	Wire & Cable

**Mechanical Attachment**

Wire Insulation Support	With
-------------------------	------

**Dimensions**



Terminal Material Thickness	.25 mm[.01 in]
PCB Hole Diameter	3.18 mm[.125 in]
Compatible Insulation Diameter (Max)	1.65 mm[.065 in]
Compatible Insulation Diameter Range	.89 – 1.65 mm[.035 – .065 in]
Wire Size	.12 – .4 mm <sup>2</sup>

### Usage Conditions

Insulation Option	Uninsulated
Operating Temperature Range	-55 – 105 °C[-67 – 221 °F]

### Packaging Features

Packaging Quantity	15000
Packaging Method	Box

### Product Compliance

[For compliance documentation, visit the product page on TE.com>](#)

EU RoHS Directive 2011/65/EU	Compliant
EU ELV Directive 2000/53/EC	Compliant
China RoHS 2 Directive MIIT Order No 32, 2016	No Restricted Materials Above Threshold
EU REACH Regulation (EC) No. 1907/2006	Current ECHA Candidate List: JAN 2025 (247) Candidate List Declared Against: JAN 2025 (247) Does not contain REACH SVHC
Halogen Content	Low Halogen - Br, Cl, F, I < 900 ppm per homogenous material. Also BFR/CFR/PVC Free
Solder Process Capability	Not applicable for solder process capability

#### Product Compliance Disclaimer

This information is provided based on reasonable inquiry of our suppliers and represents our current actual knowledge based on the information they provided. This information is subject to change. The part numbers that TE has identified as EU RoHS compliant have a maximum concentration of 0.1% by weight in homogenous materials for lead, hexavalent chromium, mercury, PBB, PBDE, DBP, BBP, DEHP, DIBP, and 0.01% for cadmium, or qualify for an exemption to these limits as defined in the Annexes of Directive 2011/65/EU (RoHS2). Finished electrical and electronic equipment products will be CE marked as required by Directive 2011/65/EU. Components may not be CE marked. Additionally, the part numbers that TE has identified as EU ELV compliant have a maximum concentration of 0.1% by weight in homogenous materials for lead, hexavalent chromium, and mercury, and 0.01% for cadmium, or qualify for an exemption to these limits as defined in the Annexes of Directive 2000/53/EC (ELV). Regarding the REACH Regulation, the information TE provides on SVHC in articles for this part number is based on the latest European Chemicals Agency (ECHA) 'Guidance on requirements for substances in articles' posted at this URL: <https://echa.europa.eu/guidance-documents/guidance-on-reach>

## Compatible Parts



TE Part # 60804-1  
.058 DIA RECPT AU/NI/PHBZ



TE Part # 61513-2  
058 PC PIN REC 010PTPHBZ



TE Part # 7-2837608-7  
OCEAN\_2.0\_SPARE\_PART\_KIT-055F0700



TE Part # 350189-1  
.058 DIA RECPT PC R/A LP 26-22



TE Part # 350393-1  
058 PCB REC IP 010PTPHBZ



TE Part # 2837608-2  
OCEAN-2.0-APPLICATOR-S-055F0700-RSA



TE Part # 2837608-1  
OCEAN-2.0-APPLICATOR-S-055F0700-RSM



TE Part # 61513-1  
058 PC PIN REC 26-22 010GP



TE Part # 60940-1  
.058 PIN REC 24-20 010PTPHBZ



TE Part # 350189-2  
.058 DIA RECPT PC R/A LP 26-22

## Customers Also Bought



TE Part #47417  
DAHT FASTON STRAIGHT 18-14 ASSY



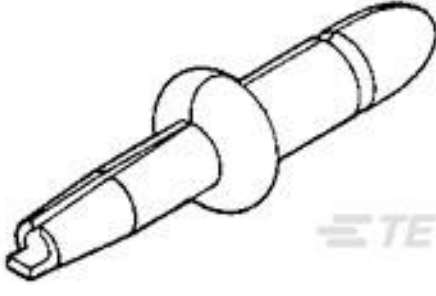
TE Part #41898  
250 FASTON FLAG REC 18-12 AWG TPBR



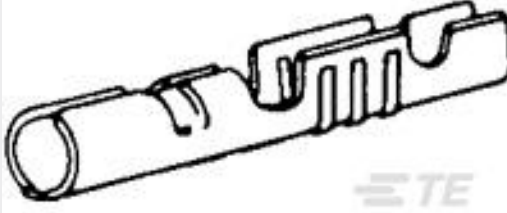
TE Part #2405417-3  
3P TO 3P 300MM CABLE ASSEMBLY, 1775441-3



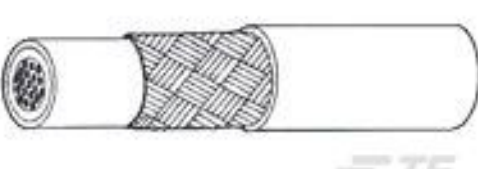
TE Part #2405417-2  
2P TO 2P 300MM CABLE ASSEMBLY, 1775441-2



TE Part #3-60803-1  
.058 DIA PIN PC AUSN/NI/PHBZ LF



TE Part #42101-2  
PIN RECEPTACLE 18-16 AWG TPBR



TE Part #907523-000  
44AM1111-12-9-9CS2275



TE Part #181903-1  
250 FASTON,REC.,17-14 AWG,TPBR



## Documents

### Product Drawings

058 PIN REC 26-22 .010GPPHBZ

English

### CAD Files

3D PDF

3D

Customer View Model

[ENG\\_CVM\\_CVM\\_60888-2\\_AJ\\_c-60888-2-aj.2d\\_dxf.zip](#)

English

Customer View Model

[ENG\\_CVM\\_CVM\\_60888-2\\_AJ\\_c-60888-2-aj.3d\\_igs.zip](#)

English

Customer View Model

[ENG\\_CVM\\_CVM\\_60888-2\\_AJ\\_c-60888-2-aj.3d\\_stp.zip](#)

English

By downloading the CAD file I accept and agree to the [Terms and Conditions](#) of use.

### Datasheets & Catalog Pages

PRINTED CIRCUIT BOARD TERMINALS AND DISCONNECTS

English

### Product Specifications

Application Specification

English