

60799-4 ✓ ACTIVE

## SHUR-PLUG 180

TE Internal #: 60799-4

Shur-Plug, 4.57 mm [.18 in] Pin Diameter, 18 – 14 AWG, .8 – 2 mm<sup>2</sup>

Wire, 1624 – 4106 CMA, Open Barrel, Tin Plating, SHUR-PLUG 180

[View on TE.com >](#)



Terminals & Splices > Crimp Wire Pins, Tabs & Ferrules



Crimp Wire Terminal Type: **Shur-Plug**

Mating Pin Diameter: **4.57 mm [.18 in]**

Compatible Insulation Diameter Range: **3.17 mm, 2.29 – 3.18 mm [.125 in, .09 – .125 in]**

Wire Size: **.8 – 2 mm<sup>2</sup>**

### Features

#### Product Type Features

Compatible With Discrete Wire Type

Solid, Stranded

#### Configuration Features

Compatible With Wire & Cable Type

Discrete Wire

#### Contact Features

Crimp Wire Terminal Type

Shur-Plug

Mating Pin Diameter

4.57 mm [.18 in]

Barrel Type

Open

Terminal Plating Material

Tin

Terminal Orientation

Straight

#### Mechanical Attachment

Wire Insulation Support

With

#### Dimensions

Compatible Insulation Diameter Range

3.17 mm, 2.29 – 3.18 mm [.125 in][.09 – .125 in]

Wire Size

1624 – 4106 CMA



Barrel Inside Diameter	1.65 mm, 2.66 mm[.065 in][.105 in]
Terminal Material Thickness	.39 mm[.016 in]
Overall Product Length	22.73 mm[.895 in]

### Usage Conditions

Insulation Option	Uninsulated
Operating Temperature Range	-40 – 105 °C[-40 – 221 °F]

### Packaging Features

Packaging Quantity	12000
Packaging Method	Reel

### Product Compliance

[For compliance documentation, visit the product page on TE.com>](#)

EU RoHS Directive 2011/65/EU	Compliant
EU ELV Directive 2000/53/EC	Compliant
China RoHS 2 Directive MIIT Order No 32, 2016	No Restricted Materials Above Threshold
EU REACH Regulation (EC) No. 1907/2006	Current ECHA Candidate List: JAN 2025 (247) Candidate List Declared Against: JAN 2025 (247) Does not contain REACH SVHC
Halogen Content	Low Halogen - Br, Cl, F, I < 900 ppm per homogenous material. Also BFR/CFR/PVC Free
Solder Process Capability	Not applicable for solder process capability

#### Product Compliance Disclaimer

This information is provided based on reasonable inquiry of our suppliers and represents our current actual knowledge based on the information they provided. This information is subject to change. The part numbers that TE has identified as EU RoHS compliant have a maximum concentration of 0.1% by weight in homogenous materials for lead, hexavalent chromium, mercury, PBB, PBDE, DBP, BBP, DEHP, DIBP, and 0.01% for cadmium, or qualify for an exemption to these limits as defined in the Annexes of Directive 2011/65/EU (RoHS2). Finished electrical and electronic equipment products will be CE marked as required by Directive 2011/65/EU. Components may not be CE marked. Additionally, the part numbers that TE has identified as EU ELV compliant have a maximum concentration of 0.1% by weight in homogenous materials for lead, hexavalent chromium, and mercury, and 0.01% for cadmium, or qualify for an exemption to these limits as defined in the Annexes of Directive 2000/53/EC (ELV). Regarding the REACH Regulation, the information TE provides on SVHC in articles for this part number is based on the latest European Chemicals Agency (ECHA) 'Guidance on requirements for substances in articles' posted at this URL: <https://echa.europa.eu/guidance-documents/guidance-on-reach>

### Compatible Parts



TE Part # 2150079-2  
OCEAN\_2.0\_APPPLICATOR-E-100F140F-REA



TE Part # 1217074-2  
SHUR PLUG,180,REC.,2 X 8 AWG,TPBR



**KIT**  
REPRESENTATION ONLY

TE Part # 7-2150079-7  
OCEAN\_2.0\_SPARE\_PART\_KIT-100F140F



TE Part # 63830-1  
SHUR PLUG 180 18-14 AWG PTPBR


Also in the Series | **SHUR-PLUG 180**



Crimp Wire Pins, Tabs & Ferrules(37)



Insulation Boots & Sleeves(6)



Special Purpose Terminals(1)

Customers Also Bought



TE Part #35664  
TERMINAL,SOLIS R 8 1/2



TE Part #33465  
TERMINAL,SOLIS R 6 1/4



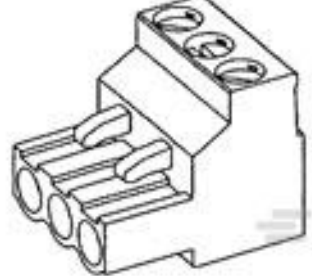
TE Part #130191  
TERM, SOLIS R 12-10 5MM



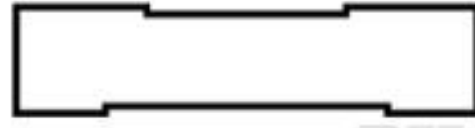
TE Part #CAT-AM7801-CH8172  
AMPSEAL 16 Housings



TE Part #770581-1  
12P MINI UMNL PLUG HSG



TE Part #1-796635-2  
12 POS 5.08MM R/A PLUG,TRM BLK



TE Part #324138  
PG BUTT SPLC 22-16COMM22-18MIL



TE Part #HD36-24-16SN-059  
PLG,16P,AL,N, CBL CLMP BT, DRAIN, 12,S,MC



TE Part #650335-000  
SO63-1-55-20-5



## Documents

### Product Drawings

[SHUR PLUG 180 REC 18-14 AWG TNPPHBZ](#)

English

---

### CAD Files

[3D PDF](#)

3D

Customer View Model

[ENG\\_CVM\\_CVM\\_60799-4\\_AK.2d\\_dxf.zip](#)

English

Customer View Model

[ENG\\_CVM\\_CVM\\_60799-4\\_AK.3d\\_igs.zip](#)

English

Customer View Model

[ENG\\_CVM\\_CVM\\_60799-4\\_AK.3d\\_stp.zip](#)

English

By downloading the CAD file I accept and agree to the [Terms and Conditions](#) of use.

---

### Product Specifications

[Application Specification](#)

English