

5552403-1 ✓ ACTIVE

CHAMP | CHAMP Docking Connectors

TE Internal #: 5552403-1

50 Position D-Shaped Connector, Receptacle, Cable-to-Cable, Cable Mount (Free-Hanging), 2.16 mm [.085 in] Centerline, CHAMP Docking Connectors

[View on TE.com >](#)



Connectors > D-Shaped Connectors > IDC D-Sub: Receptacle Kit, Signal, 50, 2.16 mm



Number of Positions: **50**

Connector & Housing Type: **Receptacle**

Connector System: **Cable-to-Cable**

Connector Mounting Type: **Cable Mount (Free-Hanging)**

Centerline (Pitch): **2.16 mm [.085 in]**

[All IDC D-Sub: Receptacle Kit, Signal, 50, 2.16 mm \(8\)](#)

Features

Product Type Features

| | |
|-----------------------------------|----------------|
| Connector Product Type | Connector Kit |
| Connector & Housing Type | Receptacle |
| Connector System | Cable-to-Cable |
| Connector & Contact Terminates To | Wire & Cable |

Configuration Features

| | |
|-----------------------------------|-------------------------------------|
| Compatible With Wire & Cable Type | Discrete Wire, Round Jacketed Cable |
| Number of Rows | 2 |
| Number of Positions | 50 |

Body Features

| | |
|-----------------------|---------------|
| Primary Product Color | Black |
| Connector Profile | Standard |
| Cover Material | Thermoplastic |

Contact Features

| | |
|--|--------------------|
| Contact Underplating Material | Palladium Nickel |
| Contact Mating Area Plating Material | Gold or Gold Flash |
| Contact Base Material | Phosphor Bronze |
| Contact Mating Area Plating Material Thickness | .76 µm[30 µin] |



| | |
|------------------------------|------------------------|
| Contact Current Rating (Max) | .5 A, 1 A |
| Contact Options | Supplied – Uninstalled |

Termination Features

| | |
|------------------------------------|-------------------------------|
| Termination Method to Wire & Cable | Insulation Displacement (IDC) |
|------------------------------------|-------------------------------|

Mechanical Attachment

| | |
|-------------------------|----------------------------|
| Mating Retention | With |
| Mating Retention Type | Screwlocks |
| Thread Size | 4-40 UNC 2B |
| Connector Mounting Type | Cable Mount (Free-Hanging) |

Housing Features

| | |
|--------------------|-------------------|
| Housing Material | Thermoplastic |
| Centerline (Pitch) | 2.16 mm [.085 in] |

Dimensions

| | |
|---|--|
| Accepts Cable Insulation Diameter Range | 8.89 – 10.8 mm [.35 – .425 in] |
| Stranded Wire Size | .09 mm ² , .1 mm ² , .14 mm ² |
| Compatible Insulation Diameter (Max) | 1.14 mm [.045 in] |
| Wire Size | 26 AWG, 27 AWG |

Usage Conditions

| | |
|-----------------------------|----------------------------|
| Operating Temperature Range | -40 – 75 °C [-40 – 167 °F] |
|-----------------------------|----------------------------|

Operation/Application

| | |
|---------------------|--------|
| Shielded | Yes |
| Circuit Application | Signal |

Packaging Features

| | |
|--------------------|-----|
| Packaging Method | Bag |
| Packaging Quantity | 1 |

Product Compliance

[For compliance documentation, visit the product page on TE.com>](#)

| | |
|---|---|
| EU RoHS Directive 2011/65/EU | Compliant |
| EU ELV Directive 2000/53/EC | Compliant |
| China RoHS 2 Directive MIIT Order No 32, 2016 | No Restricted Materials Above Threshold |



EU REACH Regulation (EC) No. 1907/2006

Current ECHA Candidate List: JAN 2025
(247)

Candidate List Declared Against: JAN 2025
(247)

SVHC > Threshold:

Triphenyl phosphate (TPP) (1.5% in
20567588257)

Article Safe Usage Statements:

Wash thoroughly after handling. Do not handle until all safety precautions have been read and understood. Recycle if possible and dispose of the article by following all applicable governmental regulations relevant to your geographic location.

Halogen Content

Not Low Halogen - contains Br or Cl > 900 ppm.

Solder Process Capability

Not applicable for solder process capability

Product Compliance Disclaimer

This information is provided based on reasonable inquiry of our suppliers and represents our current actual knowledge based on the information they provided. This information is subject to change. The part numbers that TE has identified as EU RoHS compliant have a maximum concentration of 0.1% by weight in homogenous materials for lead, hexavalent chromium, mercury, PBB, PBDE, DBP, BBP, DEHP, DIBP, and 0.01% for cadmium, or qualify for an exemption to these limits as defined in the Annexes of Directive 2011/65/EU (RoHS2). Finished electrical and electronic equipment products will be CE marked as required by Directive 2011/65/EU. Components may not be CE marked. Additionally, the part numbers that TE has identified as EU ELV compliant have a maximum concentration of 0.1% by weight in homogenous materials for lead, hexavalent chromium, and mercury, and 0.01% for cadmium, or qualify for an exemption to these limits as defined in the Annexes of Directive 2000/53/EC (ELV). Regarding the REACH Regulations, TE's information on SVHC in articles for this part number is still based on the European Chemical Agency (ECHA) 'Guidance on requirements for substances in articles' (Version: 2, April 2011), applying the 0.1% weight on weight concentration threshold at the finished product level. TE is aware of the European Court of Justice ruling of September 10th, 2015 also known as O5A (Once An Article Always An Article) stating that, in case of 'complex object', the threshold for a SVHC must be applied to both the product as a whole and simultaneously to each of the articles forming part of its composition. TE has evaluated this ruling based on the new ECHA "Guidance on requirements for substances in articles" (June 2017, version 4.0) and will be updating its statements accordingly.

Also in the Series | CHAMP Docking Connectors



Connector Caps & Covers(27)



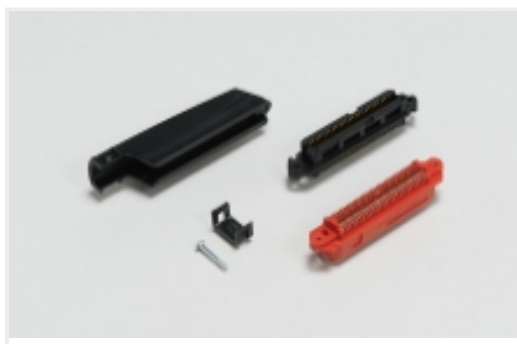
Connector Hardware(28)



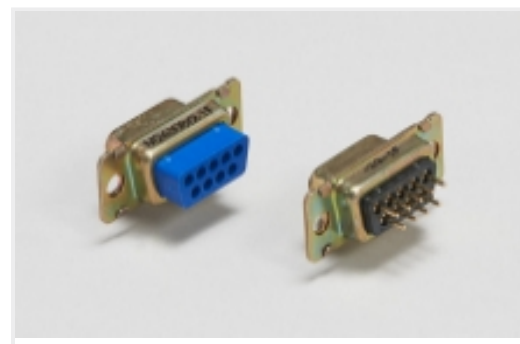
Connector Strain Relief(2)



Docking Connectors(19)



IDC D-Sub Connectors(55)

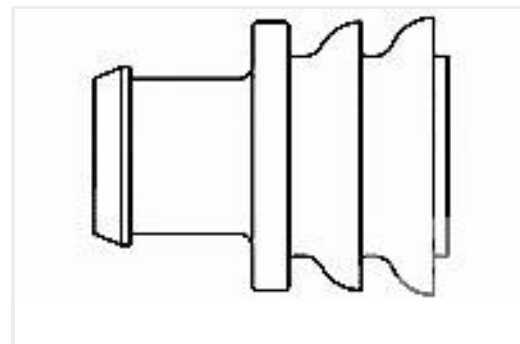


Panel Mount D-Sub Connectors(10)

Customers Also Bought



TE Part #CAT-AM71-CH8172
AMP SUPERSEAL 1.5MM,
CONNECTOR HOUSING



TE Part #281934-2
SINGLE WIRE SEAL



TE Part #CAT-D48-ST273
DEUTSCH Solid Contacts



TE Part #206070-8
CABLE CLAMP KIT #17



TE Part #CAT-D487-W416
Wedgelocks: DEUTSCH DT



TE Part #DT06-2S
PLG, 2P, GRY, N



TE Part #DT04-2P
REC, 2P, GRY, N

Documents

Product Drawings

KIT, RCPT, 50 POS, CHAMP-LOK

English

CAD Files

[3D PDF](#)

3D

Customer View Model

[ENG_CVM_CVM_5552403-1_O.2d_dxf.zip](#)

English

Customer View Model

[ENG_CVM_CVM_5552403-1_O.3d_igs.zip](#)

English

Customer View Model

[ENG_CVM_CVM_5552403-1_O.3d_stp.zip](#)

English

By downloading the CAD file I accept and agree to the [Terms and Conditions](#) of use.

5552403-1

50 Position D-Shaped Connector, Receptacle, Cable-to-Cable, Cable Mount (Free-Hanging), 2.16 mm [.085 in] Centerline, CHAMP Docking Connectors

