

552488-1 ✓ ACTIVE

CHAMP | CHAMP - LOK

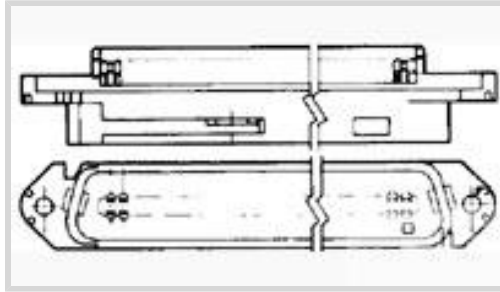
TE Internal #: 552488-1

Plug, Cable-to-Cable, 64 Position, 2.16 mm [.085 in] Centerline,
Wire & Cable, Power & Signal, CHAMP - LOK, Docking Connectors

[View on TE.com >](#)



Connectors > Docking Connectors



Docking Connector Style: **Plug**

Connector System: **Cable-to-Cable**

Number of Positions: **64**

Centerline (Pitch): **2.16 mm [.085 in]**

Connector & Contact Terminates To: **Wire & Cable**

Features

Product Type Features

Docking Connector Style	Plug
Connector System	Cable-to-Cable
Connector & Contact Terminates To	Wire & Cable

Configuration Features

Number of Positions	64
---------------------	----

Contact Features

Contact Base Material	Copper Alloy
Contact Current Rating (Max)	3.5 A

Mechanical Attachment

Connector Mounting Type	Cable Mount (Free-Hanging)
-------------------------	----------------------------

Housing Features

Centerline (Pitch)	2.16 mm [.085 in]
--------------------	-------------------

Usage Conditions

Operating Temperature Range	-40 – 75 °C [-40 – 167 °F]
-----------------------------	----------------------------

Operation/Application

Circuit Application	Power & Signal
---------------------	----------------

Product Compliance



[For compliance documentation, visit the product page on TE.com>](#)

EU RoHS Directive 2011/65/EU	Compliant
EU ELV Directive 2000/53/EC	Compliant
China RoHS 2 Directive MIIT Order No 32, 2016	No Restricted Materials Above Threshold
EU REACH Regulation (EC) No. 1907/2006	Current ECHA Candidate List: JAN 2025 (247) Candidate List Declared Against: JAN 2025 (247) SVHC > Threshold: Triphenyl phosphate (TPP) (1% in 4993802) Article Safe Usage Statements: Wash thoroughly after handling. Do not handle until all safety precautions have been read and understood. Recycle if possible and dispose of the article by following all applicable governmental regulations relevant to your geographic location.
Halogen Content	Low Bromine/Chlorine - Br and Cl < 900 ppm per homogenous material. Also BFR /CFR/PVC Free
Solder Process Capability	Not applicable for solder process capability

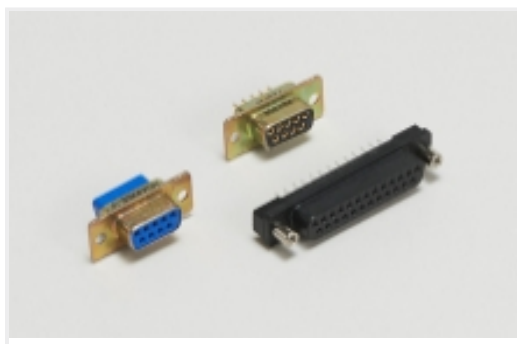
Product Compliance Disclaimer

This information is provided based on reasonable inquiry of our suppliers and represents our current actual knowledge based on the information they provided. This information is subject to change. The part numbers that TE has identified as EU RoHS compliant have a maximum concentration of 0.1% by weight in homogenous materials for lead, hexavalent chromium, mercury, PBB, PBDE, DBP, BBP, DEHP, DIBP, and 0.01% for cadmium, or qualify for an exemption to these limits as defined in the Annexes of Directive 2011/65/EU (RoHS2). Finished electrical and electronic equipment products will be CE marked as required by Directive 2011/65/EU. Components may not be CE marked. Additionally, the part numbers that TE has identified as EU ELV compliant have a maximum concentration of 0.1% by weight in homogenous materials for lead, hexavalent chromium, and mercury, and 0.01% for cadmium, or qualify for an exemption to these limits as defined in the Annexes of Directive 2000/53/EC (ELV). Regarding the REACH Regulation, the information TE provides on SVHC in articles for this part number is based on the latest European Chemicals Agency (ECHA) 'Guidance on requirements for substances in articles' posted at this URL: <https://echa.europa.eu/guidance-documents/guidance-on-reach>

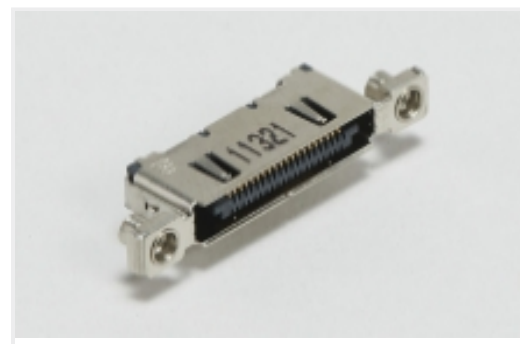
Compatible Parts



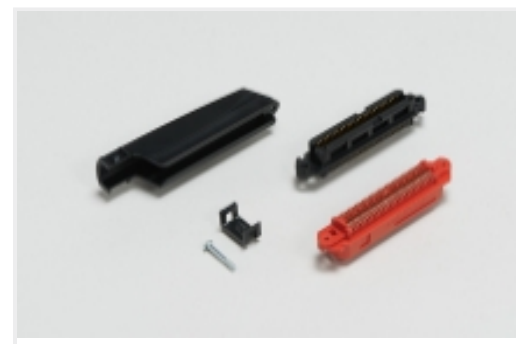
Also in the Series | **CHAMP - LOK**



D-Shaped Connectors(1)



Docking Connectors(3)



IDC D-Sub Connectors(1)



Insertion & Extraction Tools(2)

Customers Also Bought



TE Part #1925226-9
TMN2N037SC2DM018T = M32139/04-F05TNS



TE Part #5229911-1
SCREW,PAN HD,"CHAMP
PACKAGING



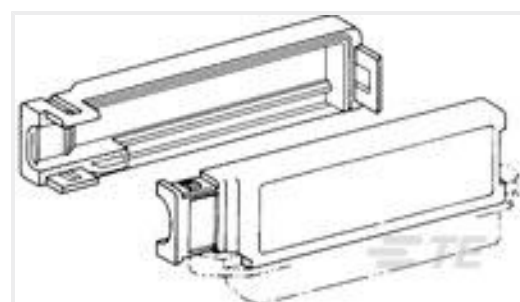
TE Part #554954-2
PLUG KIT,50 POSN,SCR LK, SHLD



TE Part #329697
TERMINAL,PIDG RECT 12-10 6



TE Part #552315-1
ASSY, RCPT, 64 POS, B SLOT



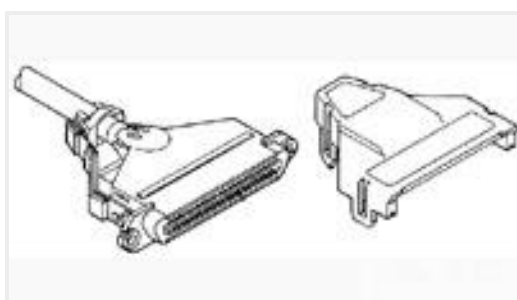
TE Part #1-552496-1
90 DEG COVER KIT-64 POS BLK



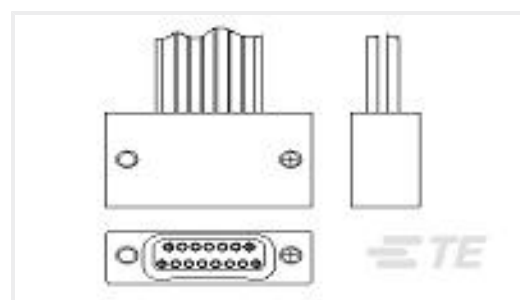
TE Part #229969-2
COVER, DUST, RCPT, RED, CHAMP



TE Part #552285-1
ASSY, PLUG, 64 POS, B SLOT



TE Part #554946-1
COVER KIT, 180 DEG,50 POS,SHLD



TE Part #8-1589476-1
STM015SC2DC060Q = WDUALOBE

Documents

Product Drawings

ASSY, PLUG, 64 POS, E SLOT

English

CAD Files

3D PDF

3D

Customer View Model

ENG_CVM_CVM_552488-1_T.2d_dxf.zip



English

Customer View Model

[ENG_CVM_CVM_552488-1_T.3d_igs.zip](#)

English

Customer View Model

[ENG_CVM_CVM_552488-1_T.3d_stp.zip](#)

English

By downloading the CAD file I accept and agree to the [Terms and Conditions](#) of use.

Product Specifications

[Application Specification](#)

English

Agency Approvals

[UL](#)

English