

53884-1 ✓ ACTIVE

AMP

TE Internal #: 53884-1

Housing, Plug / Receptacle, Crimp & Solder, Wire-to-Wire, UL 94V-

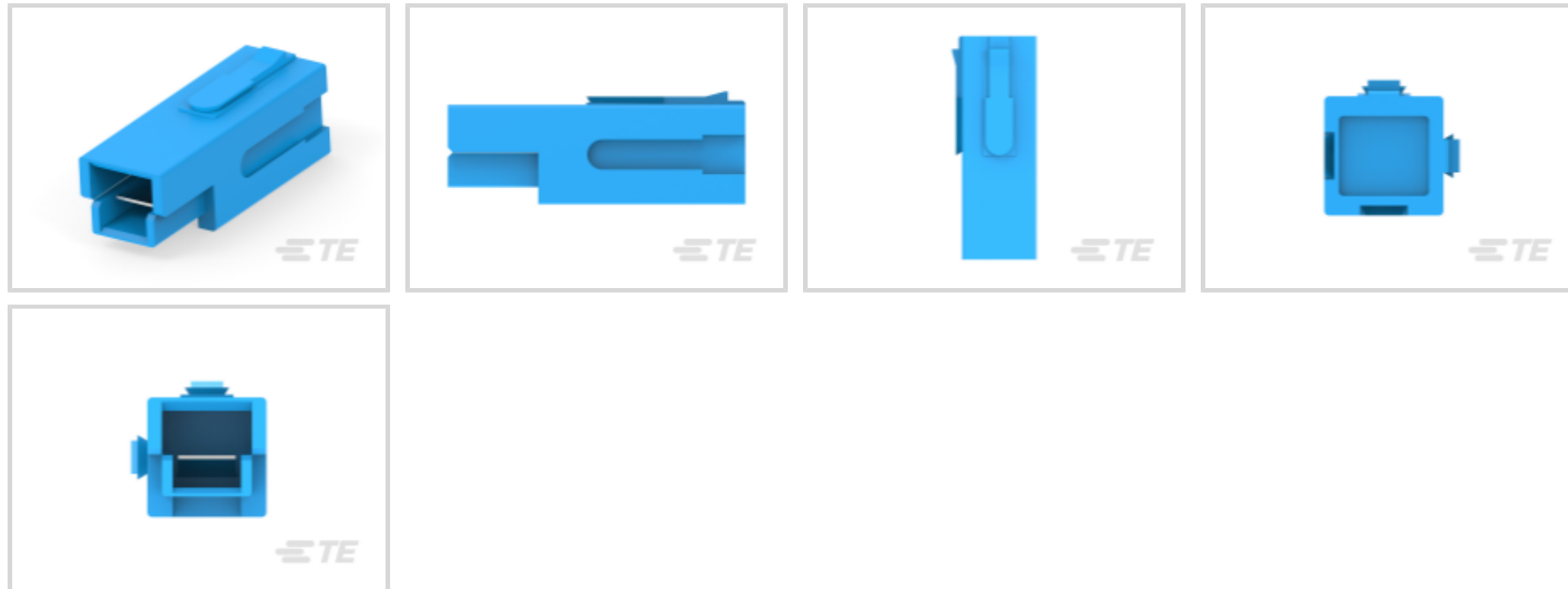
2, 1 Position, 1 Row, 600 VAC, Rectangular Wire & Cable

Connectors & Housings

[View on TE.com >](#)



Connectors > Rectangular Connectors > Standard Rectangular Connectors



Connector Product Type: **Housing**

Connector & Housing Type: **Plug, Receptacle**

Termination Method to Wire & Cable: **Crimp & Solder**

Connector System: **Wire-to-Wire**

Contact Retention Within Housing: **With**

## Features

### Product Type Features

Connector Product Type	Housing
Connector & Housing Type	Plug, Receptacle
Connector System	Wire-to-Wire
Sealable	No
Connector & Contact Terminates To	Wire & Cable

### Configuration Features

Number of Signal Positions	0
Number of Power Positions	1
Number of Positions	1
Number of Rows	1

### Electrical Characteristics

Operating Voltage	600 VAC
-------------------	---------

### Body Features

Primary Product Color	Blue
-----------------------	------



### Contact Features

Contact Type	Blade
Contact Retention Within Housing	With
Contact Current Rating (Max)	31 A

### Termination Features

Termination Method to Wire & Cable	Crimp & Solder
------------------------------------	----------------

### Mechanical Attachment

Connector Mounting Type	Cable Mount (Free-Hanging)
-------------------------	----------------------------

### Housing Features

Housing Material	Polycarbonate
------------------	---------------

### Dimensions

Connector Width	16.08 mm[.63 in]
Connector Height	16.08 mm[.63 in]
Wire Size	18 – 12 AWG
Connector Length	48.08 mm[1.89 in]

### Usage Conditions

Operating Temperature Range	-55 – 85 °C[-67 – 185 °F]
-----------------------------	---------------------------

### Operation/Application

Circuit Application	Power
---------------------	-------

### Industry Standards

Compatible With Agency/Standards Products	CSA, UL
UL Rating	Recognized
Compatible With Approved Standards Products	UL E28476
CSA Rating	Certified, LR 7189
UL Flammability Rating	UL 94V-2

### Packaging Features

Packaging Quantity	250
Packaging Method	Bag

### Product Compliance

[For compliance documentation, visit the product page on TE.com>](#)

EU RoHS Directive 2011/65/EU	Compliant
EU ELV Directive 2000/53/EC	Compliant
China RoHS 2 Directive MIIT Order No 32, 2016	No Restricted Materials Above Threshold
EU REACH Regulation (EC) No. 1907/2006	Current ECHA Candidate List: JAN 2025 (247) Candidate List Declared Against: JAN 2025 (247) Does not contain REACH SVHC
Halogen Content	Not Low Halogen - contains Br or Cl > 900 ppm.
Solder Process Capability	Not applicable for solder process capability

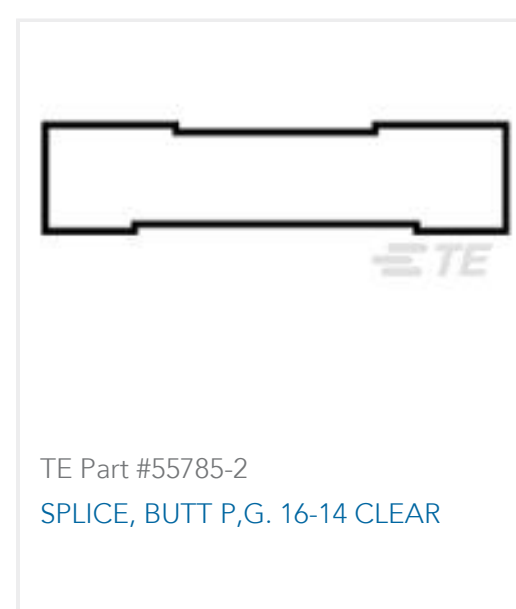
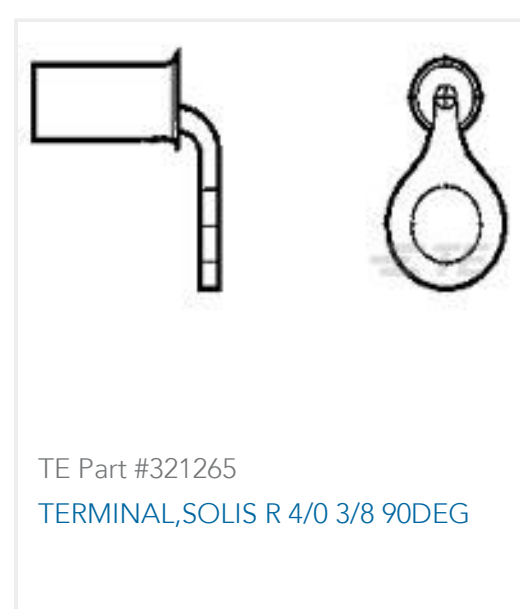
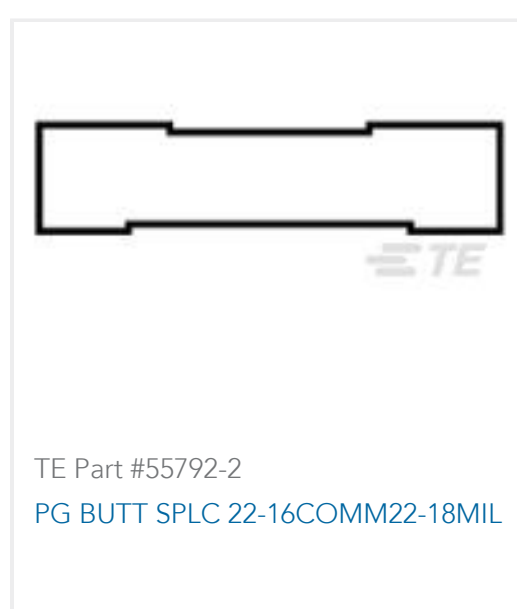
#### Product Compliance Disclaimer

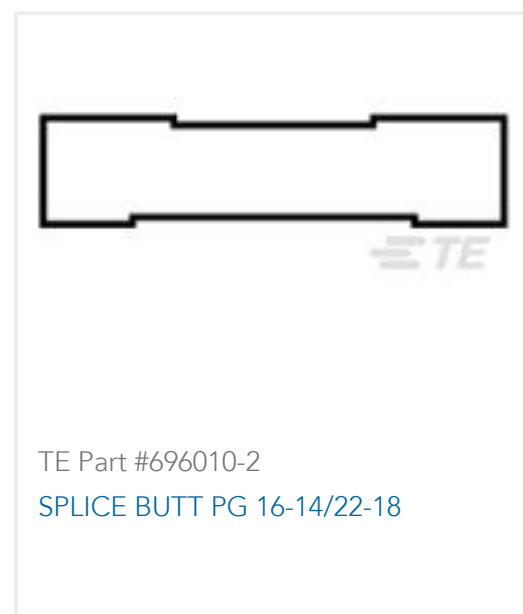
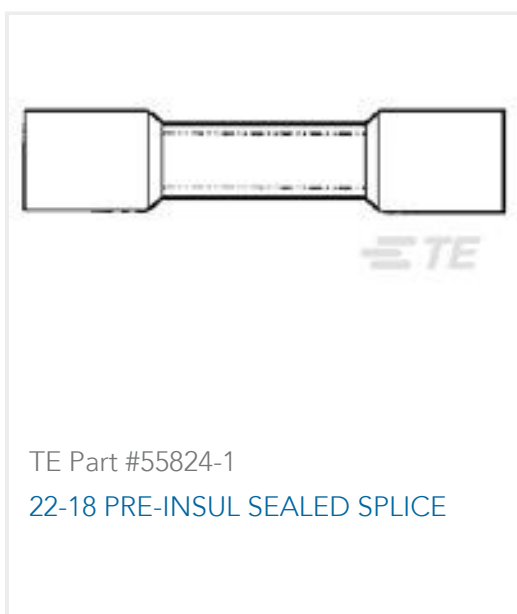
This information is provided based on reasonable inquiry of our suppliers and represents our current actual knowledge based on the information they provided. This information is subject to change. The part numbers that TE has identified as EU RoHS compliant have a maximum concentration of 0.1% by weight in homogenous materials for lead, hexavalent chromium, mercury, PBB, PBDE, DBP, BBP, DEHP, DIBP, and 0.01% for cadmium, or qualify for an exemption to these limits as defined in the Annexes of Directive 2011/65/EU (RoHS2). Finished electrical and electronic equipment products will be CE marked as required by Directive 2011/65/EU. Components may not be CE marked. Additionally, the part numbers that TE has identified as EU ELV compliant have a maximum concentration of 0.1% by weight in homogenous materials for lead, hexavalent chromium, and mercury, and 0.01% for cadmium, or qualify for an exemption to these limits as defined in the Annexes of Directive 2000/53/EC (ELV). Regarding the REACH Regulation, the information TE provides on SVHC in articles for this part number is based on the latest European Chemicals Agency (ECHA) 'Guidance on requirements for substances in articles' posted at this URL: <https://echa.europa.eu/guidance-documents/guidance-on-reach>

## Compatible Parts



## Customers Also Bought





## Documents

### Product Drawings

HSG ASSY,PWR LK,SRS2,1 POS,BLU

English

### CAD Files

3D PDF

3D

Customer View Model

[ENG\\_CVM\\_CVM\\_53884-1\\_M.2d\\_dxf.zip](#)

English

Customer View Model

[ENG\\_CVM\\_CVM\\_53884-1\\_M.3d\\_igs.zip](#)

English

Customer View Model

[ENG\\_CVM\\_CVM\\_53884-1\\_M.3d\\_stp.zip](#)

English

Customer View Model

[ENG\\_CVM\\_53884-1\\_H.3d\\_igs.zip](#)

English

Customer View Model

[ENG\\_CVM\\_53884-1\\_H.3d\\_stp.zip](#)

English

Customer View Model

[ENG\\_CVM\\_53884-1\\_H.2d\\_dxf.zip](#)

English

3D PDF

English



By downloading the CAD file I accept and agree to the [Terms and Conditions](#) of use.

### Product Specifications

#### Application Specification

English

#### Application Specification

Japanese

#### Power-Lock 75 Series Contacts

Japanese

### Instruction Sheets

#### Instruction Sheet (U.S.)

English

#### Power Lock Connectors (Series II) (Accept Contacts 53880 and 54330)

English

### Agency Approvals

#### Agency Approval Document

English