



AMP | AMP M Series

TE Internal #: 530153-2

Tandem Spring Shunt, Open Top, 2 Position, 2.54 mm [.1 in]

Centerline, Signal, -65 – 105 °C [-85 – 221 °F], AMP M Series

[View on TE.com >](#)

Connectors > PCB Connectors > Board-to-Board Connectors > Board-to-Board Jumpers & Shunts



Shunt Type: **Tandem Spring**

Shunt Style: **Open Top**

Number of Positions: **2**

Centerline (Pitch): **2.54 mm [.1 in]**

Contact Current Rating (Max): **3 A**

Features

Product Type Features

Connector & Contact Terminates To	Printed Circuit Board
Connector System	Board-to-Board

Configuration Features

Number of Positions	2
---------------------	---

Electrical Characteristics

Termination Resistance	20 mΩ
Insulation Resistance	1000 MΩ

Body Features

Primary Product Color	Black
Handle	Without

Contact Features

Contact Mating Area Plating Material	Gold (Au)
Contact Base Material	Phosphor Bronze
Contact Mating Area Plating Material Thickness	.762 μm[30 μin]



Shunt Type	Tandem Spring
------------	---------------

Shunt Style	Open Top
-------------	----------

Contact Current Rating (Max)	3 A
------------------------------	-----

Mechanical Attachment

Connector Mounting Type	Board Mount
-------------------------	-------------

Housing Features

Housing Material	Nylon, Polyester
------------------	------------------

Centerline (Pitch)	2.54 mm [.1 in]
--------------------	-----------------

Dimensions

Product Height	9.14 mm [.36 in]
----------------	------------------

Usage Conditions

Operating Temperature Range	-65 – 105 °C [-85 – 221 °F]
-----------------------------	-----------------------------

Operation/Application

Circuit Application	Signal
---------------------	--------

Industry Standards

UL Flammability Rating	UL 94V-0
------------------------	----------

Compatible With Approved Standards Products	UL
---	----

Packaging Features

Jumper & Shunt Packaging	Loose Piece
--------------------------	-------------

Packaging Method	Box
------------------	-----

Packaging Quantity	5000
--------------------	------

Product Compliance

[For compliance documentation, visit the product page on TE.com>](#)

EU RoHS Directive 2011/65/EU	Compliant
------------------------------	-----------

EU ELV Directive 2000/53/EC	Compliant
-----------------------------	-----------

China RoHS 2 Directive MIIT Order No 32, 2016	No Restricted Materials Above Threshold
---	---

EU REACH Regulation (EC) No. 1907/2006	Current ECHA Candidate List: JAN 2025 (247) Candidate List Declared Against: JAN 2025 (247) Does not contain REACH SVHC
--	---

Halogen Content	Not Low Halogen - contains Br or Cl > 900 ppm.
-----------------	--



Solder Process Capability

Not applicable for solder process capability

Product Compliance Disclaimer

This information is provided based on reasonable inquiry of our suppliers and represents our current actual knowledge based on the information they provided. This information is subject to change. The part numbers that TE has identified as EU RoHS compliant have a maximum concentration of 0.1% by weight in homogenous materials for lead, hexavalent chromium, mercury, PBB, PBDE, DBP, BBP, DEHP, DIBP, and 0.01% for cadmium, or qualify for an exemption to these limits as defined in the Annexes of Directive 2011/65/EU (RoHS2). Finished electrical and electronic equipment products will be CE marked as required by Directive 2011/65/EU. Components may not be CE marked. Additionally, the part numbers that TE has identified as EU ELV compliant have a maximum concentration of 0.1% by weight in homogenous materials for lead, hexavalent chromium, and mercury, and 0.01% for cadmium, or qualify for an exemption to these limits as defined in the Annexes of Directive 2000/53/EC (ELV). Regarding the REACH Regulation, the information TE provides on SVHC in articles for this part number is based on the latest European Chemicals Agency (ECHA) 'Guidance on requirements for substances in articles' posted at this URL: <https://echa.europa.eu/guidance-documents/guidance-on-reach>

Compatible Parts



TE Part # 5-146285-2
02 MODII HDR SRST B/A .100CL




TE Part # 5-146281-2
02 MODII HDR SRST B/A LF




TE Part # 5-146277-2
02 MODII HDR SRST B/A .100CL

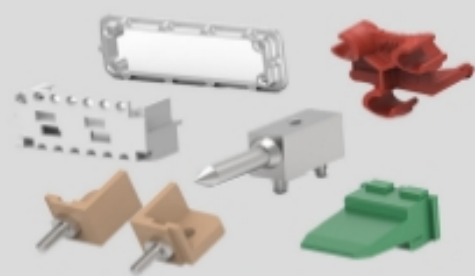
Also in the Series | AMP M Series




Board-to-Board Jumpers & Shunts(5)



Connector Caps & Covers(14)



Connector Hardware(47)




Connector Strain Relief(13)



PCB Headers & Receptacles(9)



Rack & Panel Connectors(1)



Rectangular Power Connectors(82)



Wire-to-Board Headers & Receptacles (1)

Customers Also Bought



TE Part #5050462-8
SOCKET,MIN-SPR SN-AU SER-2



TE Part #6609109-4
PE0S0DLXC M0=C7031



TE Part #3-641237-4
04P MTA100 CONN ASSY RED 30AU



TE Part #796692-2
TERMI-BLOK PCB MOUNT 1&2 2P.5



TE Part #T1500162000-000
H16B-AGS-LB



TE Part #T2070164201-002
H16BN-T4-F-HD



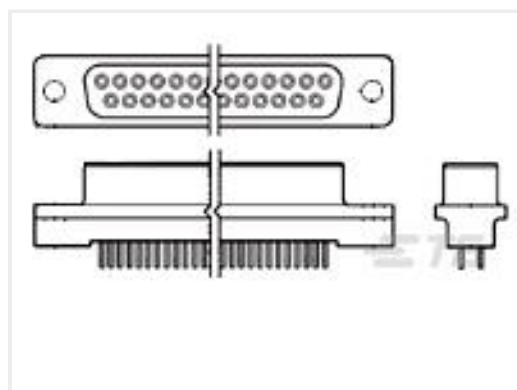
TE Part #T2070104201-002
H10BN-T3-F-HD



TE Part #3-2176091-1
RP 2A 0.25W 118R 0.1% 25PPM 1K RL



TE Part #T2070104101-002
H10BN-T3-M-HD



TE Part #5745077-4
HD-20 RCPT 15P VERT FFSCRLK

Documents

Product Drawings

TDM SPRING SHUNT ASSY 2 POS

English

CAD Files

3D PDF

3D

Customer View Model

[ENG_CVM_CVM_530153-2_AB.2d_dxf.zip](#)

English

Customer View Model

[ENG_CVM_CVM_530153-2_AB.3d_igs.zip](#)

English

Customer View Model

[ENG_CVM_CVM_530153-2_AB.3d_stp.zip](#)

English

By downloading the CAD file I accept and agree to the [Terms and Conditions](#) of use.

Product Specifications



Application Specification

English

Tandem Spring Shunt Connectors

English

Instruction Sheets

Instruction Sheet (U.S.)

English

Tandem Spring Shunt Connector 530153

English

Agency Approvals

Agency Approval Document

English