



Connectors > D-Shaped Connectors



Number of Positions: **50**

Connector & Housing Type: **Receptacle**

Connector System: **Cable-to-Board, Cable-to-Cable**

Connector Mounting Type: **Cable Mount (Free-Hanging)**

Centerline (Pitch): **2.16 mm [.085 in]**

Features

Product Type Features

Connector Product Type	Connector Kit
Connector & Housing Type	Receptacle
Connector System	Cable-to-Board, Cable-to-Cable
Connector & Contact Terminates To	Wire & Cable

Configuration Features

Compatible With Wire & Cable Type	Discrete Wire, Round Jacketed Cable
Number of Rows	2
Number of Positions	50

Body Features

Connector Profile	Standard
-------------------	----------

Contact Features

Contact Underplating Material	Palladium Nickel
Contact Mating Area Plating Material	Gold or Gold Flash
Contact Base Material	Copper Alloy
Contact Mating Area Plating Material Thickness	.76 μ m[30 μ in]
Contact Current Rating (Max)	.5 A, 1 A

Mechanical Attachment

Mating Retention	With
Mating Retention Type	Screwlocks

Thread Size	4-40
-------------	------

Connector Mounting Type	Cable Mount (Free-Hanging)
-------------------------	----------------------------

Housing Features

Housing Material	Polyphenylene Oxide
------------------	---------------------

Centerline (Pitch)	2.16 mm[.085 in]
--------------------	------------------

Dimensions

Accepts Cable Insulation Diameter Range	8.89 – 10.8 mm[.35 – .425 in]
---	-------------------------------

Stranded Wire Size	.33 mm ²
--------------------	---------------------

Solid Wire Size	.13 – .32 mm ²
-----------------	---------------------------

Accepts Cable Diameter (Max)	10.8 mm[.425 in]
------------------------------	------------------

Compatible Insulation Diameter (Max)	1.14 mm[.045 in]
--------------------------------------	------------------

Wire Size	24 AWG
-----------	--------

Usage Conditions

Operating Temperature Range	-40 – 75 °C[-40 – 167 °F]
-----------------------------	---------------------------

Operation/Application

Shielded	Yes
----------	-----

Circuit Application	Signal
---------------------	--------

Packaging Features

Packaging Method	Bag
------------------	-----

Packaging Quantity	1
--------------------	---

Product Compliance

[For compliance documentation, visit the product page on TE.com>](#)

EU RoHS Directive 2011/65/EU	Compliant
------------------------------	-----------

EU ELV Directive 2000/53/EC	Compliant
-----------------------------	-----------

China RoHS 2 Directive MIIT Order No 32, 2016	No Restricted Materials Above Threshold
---	---

EU REACH Regulation (EC) No. 1907/2006	Current ECHA Candidate List: JAN 2025 (247) Candidate List Declared Against: JAN 2023 (233) Does not contain REACH SVHC
--	---

Halogen Content	Not Low Halogen - contains Br or Cl > 900 ppm.
-----------------	--

Solder Process Capability	Not applicable for solder process capability
---------------------------	--

Product Compliance Disclaimer

This information is provided based on reasonable inquiry of our suppliers and represents our current actual knowledge based on the information they provided. This information is subject to change. The part numbers that TE has identified as EU RoHS compliant have a maximum concentration of 0.1% by weight in homogenous materials for lead, hexavalent chromium, mercury, PBB, PBDE, DBP, BBP, DEHP, DIBP, and 0.01% for cadmium, or qualify for an exemption to these limits as defined in the Annexes of Directive 2011/65/EU (RoHS2). Finished electrical and electronic equipment products will be CE marked as required by Directive 2011/65/EU. Components may not be CE marked. Additionally, the part numbers that TE has identified as EU ELV compliant have a maximum concentration of 0.1% by weight in homogenous materials for lead, hexavalent chromium, and mercury, and 0.01% for cadmium, or qualify for an exemption to these limits as defined in the Annexes of Directive 2000/53/EC (ELV). Regarding the REACH Regulation, the information TE provides on SVHC in articles for this part number is based on the latest European Chemicals Agency (ECHA) 'Guidance on requirements for substances in articles' posted at this URL: <https://echa.europa.eu/guidance-documents/guidance-on-reach>

Also in the Series | **CHAMP Docking Connectors**



Connector Caps & Covers(27)



Connector Hardware(28)



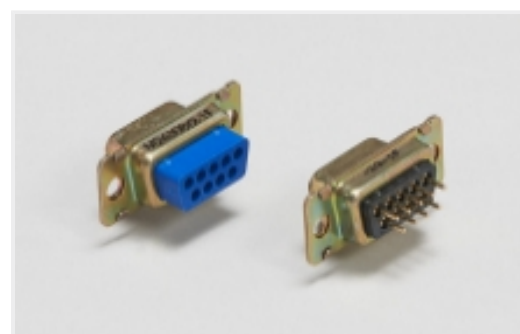
Connector Strain Relief(2)



Docking Connectors(19)



IDC D-Sub Connectors(55)



Panel Mount D-Sub Connectors(10)

Customers Also Bought



TE Part #114017-ZZ
SEALING PLUG, SIZE 12/16, WHT



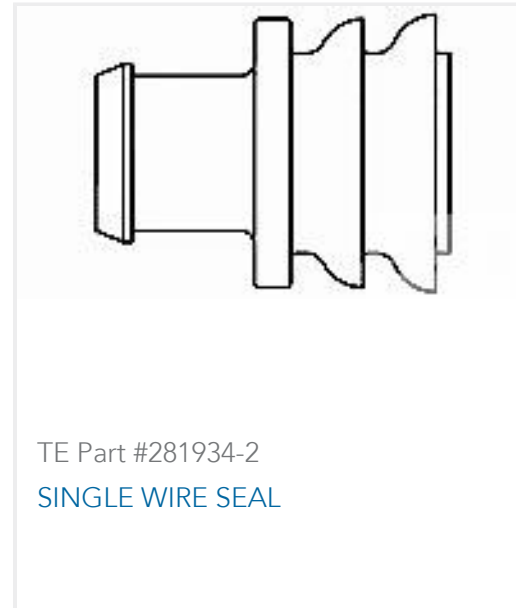
TE Part #CAT-D48-ST273
DEUTSCH Solid Contacts



TE Part #CAT-D487-W416
Wedgelocks: DEUTSCH DT



TE Part #DT06-2S
PLG, 2P, GRY, N



Documents

CAD Files

Customer View Model

[ENG_CVM_CVM_5229913-4_O.2d_dxf.zip](#)

English

3D PDF

3D

Customer View Model

[ENG_CVM_CVM_5229913-4_O.3d_igs.zip](#)

English

Customer View Model

[ENG_CVM_CVM_5229913-4_O.3d_stp.zip](#)

English

By downloading the CAD file I accept and agree to the [Terms and Conditions](#) of use.