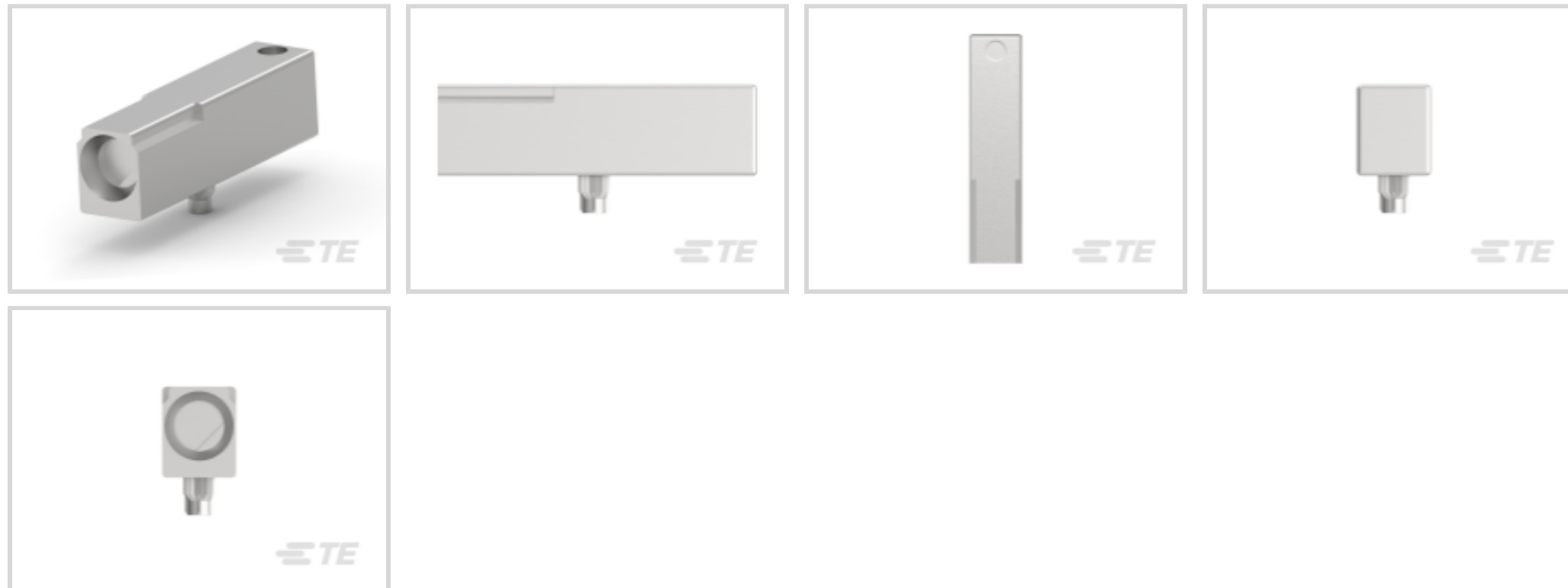




Connectors > Connector Accessories > Connector Hardware



Connector Hardware Accessory Type: **Guide Socket Module**

Primary Product Material: **Zinc Alloy Die Casting**

Hardware Accessory Function: **Guide Hardware**

## Features

### Product Type Features

Connector Hardware Accessory Type	Guide Socket Module
Hardware Accessory Function	Guide Hardware

### Configuration Features

Key Orientation	135°
-----------------	------

### Body Features

Product Orientation	Right Angle
Primary Product Material	Zinc Alloy Die Casting

### Mechanical Attachment

Thread Size	4-40
Product Plating Finish	Chromate Conversion Coating

### Dimensions

Product Length	34.2 mm
----------------	---------

### Packaging Features

Packaging Method	Box
Packaging Quantity	1

## Product Compliance

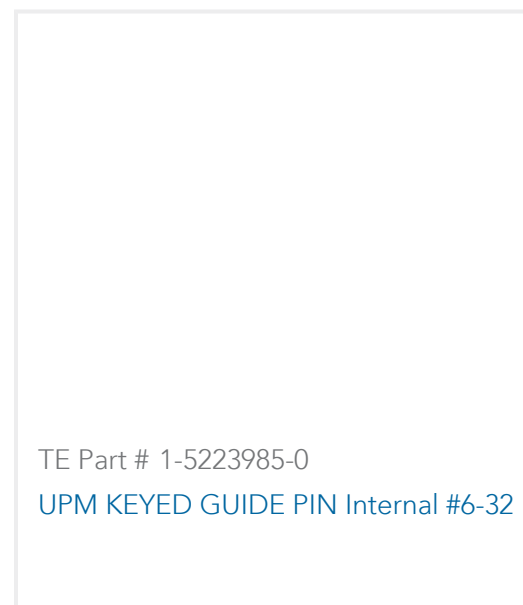
[For compliance documentation, visit the product page on TE.com>](#)

EU RoHS Directive 2011/65/EU	Compliant
EU ELV Directive 2000/53/EC	Compliant
China RoHS 2 Directive MIIT Order No 32, 2016	No Restricted Materials Above Threshold
EU REACH Regulation (EC) No. 1907/2006	Current ECHA Candidate List: JAN 2025 (247) Candidate List Declared Against: JUNE 2024 (241) Does not contain REACH SVHC
Halogen Content	Low Halogen - Br, Cl, F, I < 900 ppm per homogenous material. Also BFR/CFR/PVC Free
Solder Process Capability	Not applicable for solder process capability

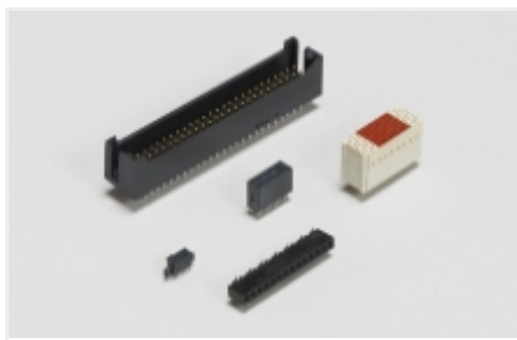
### Product Compliance Disclaimer

This information is provided based on reasonable inquiry of our suppliers and represents our current actual knowledge based on the information they provided. This information is subject to change. The part numbers that TE has identified as EU RoHS compliant have a maximum concentration of 0.1% by weight in homogenous materials for lead, hexavalent chromium, mercury, PBB, PBDE, DBP, BBP, DEHP, DIBP, and 0.01% for cadmium, or qualify for an exemption to these limits as defined in the Annexes of Directive 2011/65/EU (RoHS2). Finished electrical and electronic equipment products will be CE marked as required by Directive 2011/65/EU. Components may not be CE marked. Additionally, the part numbers that TE has identified as EU ELV compliant have a maximum concentration of 0.1% by weight in homogenous materials for lead, hexavalent chromium, and mercury, and 0.01% for cadmium, or qualify for an exemption to these limits as defined in the Annexes of Directive 2000/53/EC (ELV). Regarding the REACH Regulation, the information TE provides on SVHC in articles for this part number is based on the latest European Chemicals Agency (ECHA) 'Guidance on requirements for substances in articles' posted at this URL: <https://echa.europa.eu/guidance-documents/guidance-on-reach>

## Compatible Parts



Also in the Series | [Z-PACK 2mm HM](#)



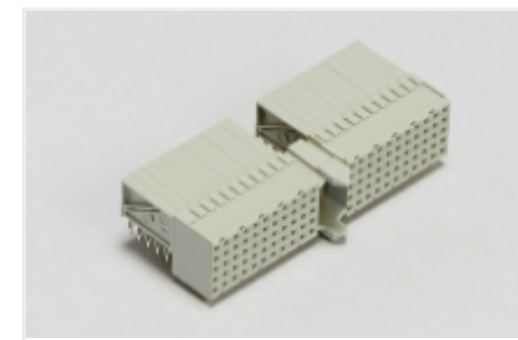
Board-to-Board Headers & Receptacles(46)



Connector Contacts(2)



Connector Hardware(91)



Hard Metric Backplane Connectors (266)

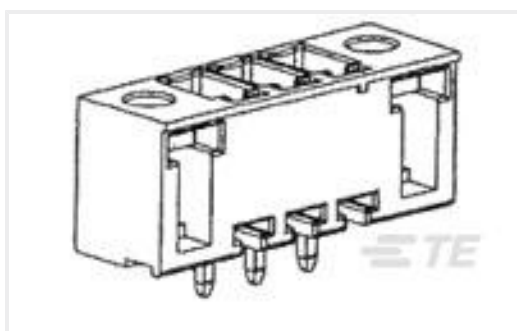


Power Contacts(2)



Rectangular Power Connectors(46)

## Customers Also Bought



TE Part #284519-3  
3P TERMIBLOK HDR DIR VITI 3

## Documents

### Product Drawings

#### UPM KEYED GUIDE MODULE

English

### CAD Files

#### 3D PDF

3D

#### Customer View Model

[ENG\\_CVM\\_CVM\\_5223986-4\\_A.2d\\_dxf.zip](#)

English

#### Customer View Model

[ENG\\_CVM\\_CVM\\_5223986-4\\_A.3d\\_igs.zip](#)

English

#### Customer View Model

[ENG\\_CVM\\_CVM\\_5223986-4\\_A.3d\\_stp.zip](#)

English

By downloading the CAD file I accept and agree to the [Terms and Conditions](#) of use.



---

**Datasheets & Catalog Pages**

[High Speed Backplane Connectors catalog - Z-PACK HS3 Connector](#)

English

[2\\_PIECE\\_POWER\\_CONNECTORS\\_qrg\\_4-1773458-1](#)

English

---

**Product Specifications**

[Engineering Report](#)

English