

5145299-1 ✓ ACTIVE

Smart Card

TE Internal #: 5145299-1

Connector, 6 Position, 2.54 mm [.1 in] Centerline, Board Mount, -40
– 90 °C [-40 – 194 °F], Smart Card Connectors

[View on TE.com >](#)



Connectors > PCB Connectors > Memory Card Connectors > Smart Card Connectors



Smart Card Connector Product Type: **Connector**

Number of Positions: **6**

Pre-Installed Wire & Cable: **Without**

Centerline (Pitch): **2.54 mm [.1 in]**

Contact Current Rating (Max): **.2 A**

Features

Product Type Features

Connector & Contact Terminates To	Printed Circuit Board
Compatible Card	SIM/SAM
Smart Card Connector Product Type	Connector

Configuration Features

Card Detection Switch	With
Operating Function	NO
Cover	With
Number of Signal Positions	6
Number of Positions	6
Pre-Installed Wire & Cable	Without

Body Features

Primary Product Color	Black
-----------------------	-------

Contact Features

Contact Underplating Material	Nickel
-------------------------------	--------



Contact Mating Area Plating Material	Gold (Au)
--------------------------------------	-----------

Contact Base Material	Phosphor Bronze
-----------------------	-----------------

PCB Contact Termination Area Plating Material	Tin
---	-----

Contact Current Rating (Max)	.2 A
------------------------------	------

Termination Features

Termination Method to PCB	Surface Mount
---------------------------	---------------

Mechanical Attachment

Mating Alignment	With
------------------	------

Connector Mounting Type	Board Mount
-------------------------	-------------

Housing Features

Housing Material	High Temperature Thermoplastic
------------------	--------------------------------

Centerline (Pitch)	2.54 mm [.1 in]
--------------------	-----------------

Dimensions

Accepts Card Thickness	.76 mm [.03 in]
------------------------	-----------------

Profile Height from PCB	1.55 mm, 4.05 mm [.059 in] [.159 in]
-------------------------	--------------------------------------

Usage Conditions

Operating Temperature Range	-40 – 90 °C [-40 – 194 °F]
-----------------------------	----------------------------

Operation/Application

Durability Rating	10000 Cycles
-------------------	--------------

Circuit Application	Signal
---------------------	--------

Packaging Features

Packaging Method	Carton
------------------	--------

Packaging Quantity	500
--------------------	-----

Product Compliance

[For compliance documentation, visit the product page on TE.com>](#)

EU RoHS Directive 2011/65/EU	Compliant
------------------------------	-----------

EU ELV Directive 2000/53/EC	Compliant
-----------------------------	-----------

China RoHS 2 Directive MIIT Order No 32, 2016	No Restricted Materials Above Threshold
---	---

EU REACH Regulation (EC) No. 1907/2006	Current ECHA Candidate List: JAN 2025 (247) Candidate List Declared Against: JUNE 2024 (241)
--	---



Does not contain REACH SVHC

Halogen Content

Low Halogen - Br, Cl, F, I < 900 ppm per homogenous material. Also BFR/CFR/PVC Free


Solder Process Capability

Reflow solder capable to 260°C

Product Compliance Disclaimer

This information is provided based on reasonable inquiry of our suppliers and represents our current actual knowledge based on the information they provided. This information is subject to change. The part numbers that TE has identified as EU RoHS compliant have a maximum concentration of 0.1% by weight in homogenous materials for lead, hexavalent chromium, mercury, PBB, PBDE, DBP, BBP, DEHP, DIBP, and 0.01% for cadmium, or qualify for an exemption to these limits as defined in the Annexes of Directive 2011/65/EU (RoHS2). Finished electrical and electronic equipment products will be CE marked as required by Directive 2011/65/EU. Components may not be CE marked. Additionally, the part numbers that TE has identified as EU ELV compliant have a maximum concentration of 0.1% by weight in homogenous materials for lead, hexavalent chromium, and mercury, and 0.01% for cadmium, or qualify for an exemption to these limits as defined in the Annexes of Directive 2000/53/EC (ELV). Regarding the REACH Regulation, the information TE provides on SVHC in articles for this part number is based on the latest European Chemicals Agency (ECHA) 'Guidance on requirements for substances in articles' posted at this URL: <https://echa.europa.eu/guidance-documents/guidance-on-reach>

Compatible Parts



TE Part # 5953438-1
SMART CARD READER THRU HOLE RA



TE Part # 5145300-1
SMT CARD RCPT,8 POS, W/O COVER

Customers Also Bought



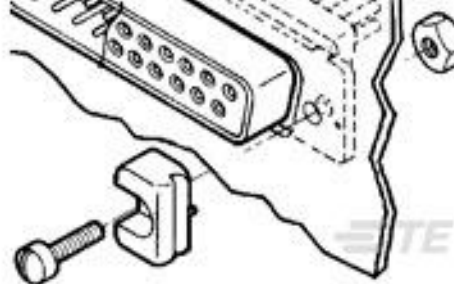
TE Part #735410
ELECTRO TAP ASSY



TE Part #1-746610-6
26 DIP PLUG, 100CL, LEAD FREE



TE Part #1571262-2
SWITCH,TACTILE,SMT,T&R



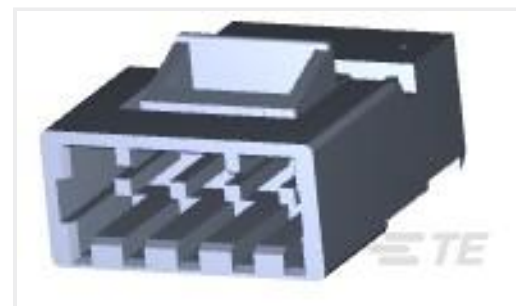
TE Part #747080-2
LATCH BLOCK/PACKAGED/.090 PANL



TE Part #5103308-6
A/L LOW PRO HDR 26P VERT BLACK



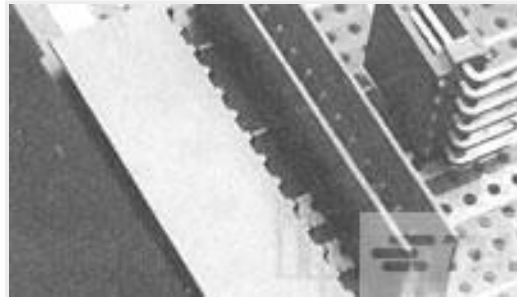
TE Part #825440-5
MOD 2 PINHDR 2X05P.



TE Part #3-641436-4
04P MTA156 CONN ASSY LF



TE Part #1676221-2
RN 0805 1K0 0.1% 10PPM 1KRL



TE Part #281698-5
HEADER HE14 RA 5 P



TE Part #2108824-1
Chip ant., SMD, L1+G1

Documents

Product Drawings

[SIM/SAM RECPT,6 POS,SMT](#)

English

CAD Files

Customer View Model

[ENG_CVM_CVM_5145299-1_O.2d_dxf.zip](#)

English

[3D PDF](#)

3D

Customer View Model

[ENG_CVM_CVM_5145299-1_O.3d_igs.zip](#)

English

Customer View Model

[ENG_CVM_CVM_5145299-1_O.3d_stp.zip](#)

English

By downloading the CAD file I accept and agree to the [Terms and Conditions](#) of use.

Product Specifications

[Application Specification](#)

English