



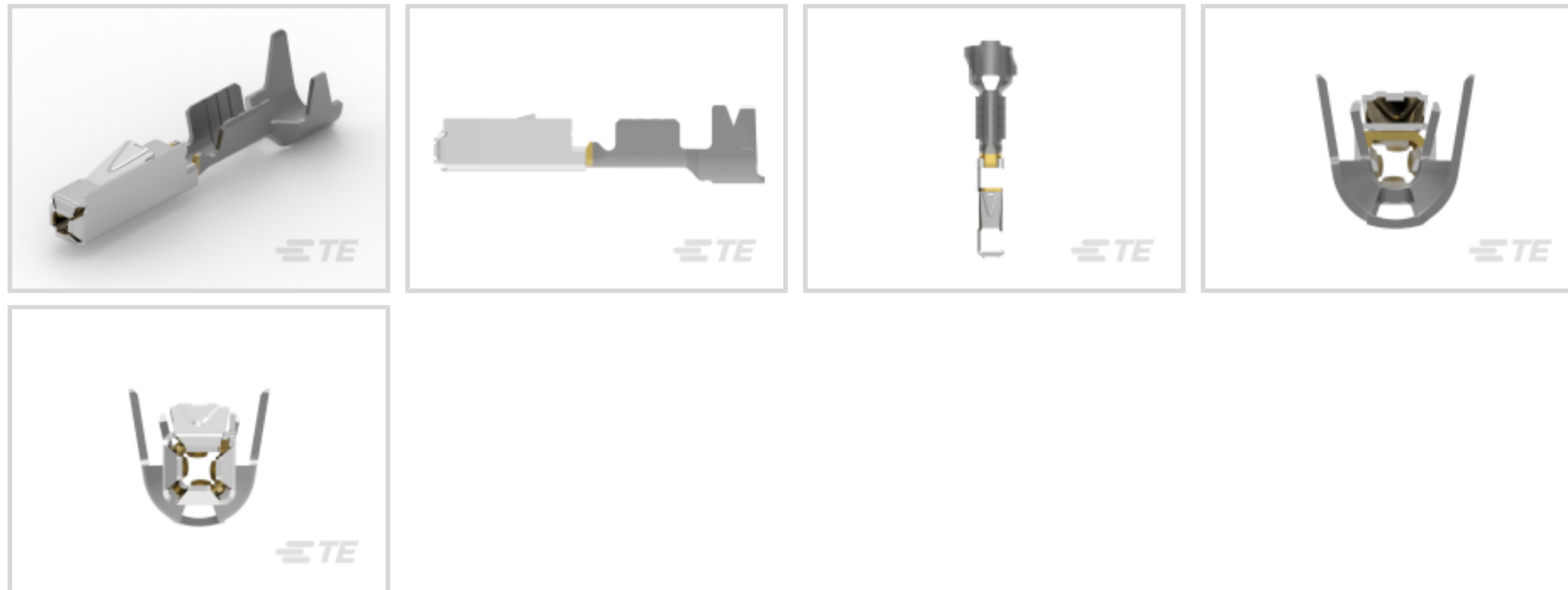
MQS

TE Internal #: 5-965906-5

Receptacle Terminal, 20 – 18 AWG, .5 – .75 mm² Wire, .63 mm [.025 in] Tab Width, Gold (Au), Sealable, .63 mm [.025 in] Tab Thickness

[View on TE.com >](#)

Terminals & Splices > Automotive Terminals > MQS, RECEPTACLE AND TAB



Terminal Type: **Receptacle**

Wire Size: **20 – 18 AWG**

Mating Tab Width: **.63 mm [.025 in]**

Interface Plating: **Gold (Au)**

[All MQS, RECEPTACLE AND TAB \(96\)](#)

Features

Product Type Features

Receptacle Style	180°
Primary Locking Feature	Locking Lance
Sealable	Yes

Body Features

Terminal Seal Type	Single Wire Seal (SWS)
--------------------	------------------------

Contact Features

Typical Current Rating	7.5 A
Crimp Type	F-Crimp
Contact Size	.63mm
Contact Fabrication	Stamped & Formed
Wire Contact Termination Area Plating Material	Gold
Terminal Type	Receptacle
Mating Tab Width	.63 mm [.025 in]
Interface Plating	Gold (Au)



Mating Tab Thickness	.63 mm [.025 in]
----------------------	------------------

Termination Features

Termination Method to Wire & Cable	Crimp
Product Terminates To	Wire

Dimensions

Compatible Insulation Diameter Range	1.3 – 1.9 mm [.051 – .074 in]
Wire Size	20 – 18 AWG
Wire Size Search	.5 mm ² , .6 mm ² , .75 mm ²

Usage Conditions

Insulation Option	Uninsulated
Operating Temperature (Max)	125 °C [212 °F]
Operating Temperature Range	-40 – 140 °C [-40 – 284 °F]

Operation/Application

Compatible With Wire Base Material	Copper
Conforms to Automation Guideline	Yes, DIN 72036 Automation of Wiring Harness Production, Version June 2024, Yes, KOMAX Guideline for automatic component insertion for electrical connections, Version 5.0 (March 2018)

Industry Standards

Compatible With Agency/Standards Products	LV214
---	-------

Packaging Features

Packaging Method	Reel
Packaging Quantity	9000

Other

Terminal Transmits	0 – 24 A (Low Power)
--------------------	----------------------

Product Compliance

[For compliance documentation, visit the product page on TE.com>](#)

EU RoHS Directive 2011/65/EU	Compliant
EU ELV Directive 2000/53/EC	Compliant
China RoHS 2 Directive MIIT Order No 32, 2016	No Restricted Materials Above Threshold
EU REACH Regulation (EC) No. 1907/2006	Current ECHA Candidate List: JAN 2025 (247)



Candidate List Declared Against: JAN 2025
(247)

Does not contain REACH SVHC

Halogen Content

Low Halogen - Br, Cl, F, I < 900 ppm per homogenous material. Also BFR/CFR/PVC Free

Solder Process Capability

Not reviewed for solder process capability

Product Compliance Disclaimer

This information is provided based on reasonable inquiry of our suppliers and represents our current actual knowledge based on the information they provided. This information is subject to change. The part numbers that TE has identified as EU RoHS compliant have a maximum concentration of 0.1% by weight in homogenous materials for lead, hexavalent chromium, mercury, PBB, PBDE, DBP, BBP, DEHP, DIBP, and 0.01% for cadmium, or qualify for an exemption to these limits as defined in the Annexes of Directive 2011/65/EU (RoHS2). Finished electrical and electronic equipment products will be CE marked as required by Directive 2011/65/EU. Components may not be CE marked. Additionally, the part numbers that TE has identified as EU ELV compliant have a maximum concentration of 0.1% by weight in homogenous materials for lead, hexavalent chromium, and mercury, and 0.01% for cadmium, or qualify for an exemption to these limits as defined in the Annexes of Directive 2000/53/EC (ELV). Regarding the REACH Regulation, the information TE provides on SVHC in articles for this part number is based on the latest European Chemicals Agency (ECHA) 'Guidance on requirements for substances in articles' posted at this URL: <https://echa.europa.eu/guidance-documents/guidance-on-reach>

Compatible Parts



TE Part # 5-2151038-1
OCEAN_2.0 APPLICATOR-S-055F114O-RSM



TE Part # 1-967067-1
MQS SGL WIRE SEAL



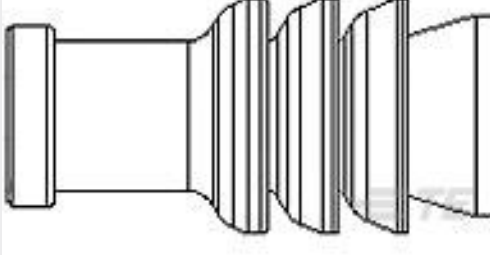
TE Part # 7-2151038-7
OCEAN_2.0 SPARE PART KIT-055F114O



TE Part # 5-2151038-2
OCEAN_2.0 APPLICATOR-S-055F114O-RSA



TE Part # 2151038-2
OCEAN_2.0 APPLICATOR-S-055F114O-RSA



TE Part # 967067-1
MQS SGL WIRE SEAL



TE Part # 2386459-1
EXTRACTION TOOL



TE Part # 2063530-1
SDE MQS 0.5-0.75mm² ASSY




TE Part # 2-368213-9
AIR BAG 50P HDR ASSY G-BLK/BD




TE Part # 2151038-1
OCEAN_2.0_APPLICATOR-S-055F114O-RSM



TE Part # 2134557-2
8POS MQS REC



TE Part # 6-1579007-1
EXTRACTION TOOL



KIT
REPRESENTATION ONLY

TE Part # 7-2266058-7
OC-055F114O-752-CRIMPTOOLILNGKIT



TE Part # CAT-M8793-CH8172
MQS, CONNECTOR HOUSING



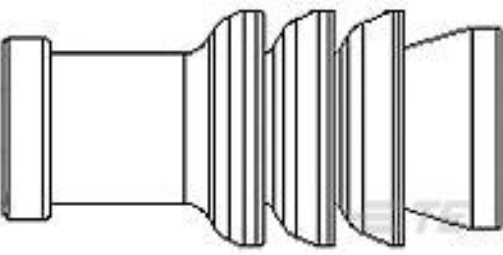
TE Part # 1-967658-1
8pos MQS .63 header 90deg



TE Part # 2305570-1
Strip Terminal Cutter-Side Feed-No Crimp




TE Part # 2063530-2
SDE MQS 0.5-0.75mm² DIE SET

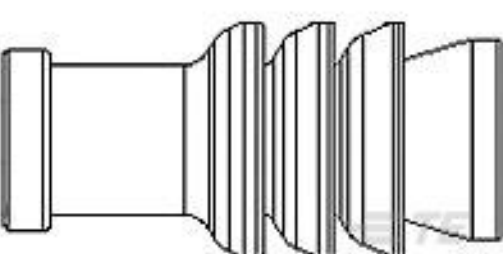


TE Part # 963142-1
MQS SINGLE-WIRE SEAL FOR 4MM

Customers Also Bought



TE Part #384224-E
STVC/3 20 M AC VV 4-00 0606 * * 247 E007



TE Part #967067-1
MQS SGL WIRE SEAL




TE Part #1897013-2
MT-2/JPT SLD 26P CAP HSG



TE Part #3-2288260-0
48 POS MIXED REC HSG



TE Part #CAT-M8793-CH8172
MQS, CONNECTOR HOUSING



TE Part #1-2819195-3
2 W ABS CABLE ASSY MBB 3.000

Documents



CAD Files

Customer View Model

[ENG_CVM_CVM_5-965906-5_E.2d_dxf.zip](#)

English

3D PDF

3D

Customer View Model

[ENG_CVM_CVM_5-965906-5_E.3d_igs.zip](#)

English

Customer View Model

[ENG_CVM_CVM_5-965906-5_E.3d_stp.zip](#)

English

By downloading the CAD file I accept and agree to the [Terms and Conditions](#) of use.

Product Specifications

Application Specification

German

Application Specification

English

Application Specification

English