

5-166052-1 ✓ ACTIVE

AMPLIMITE

TE Internal #: 5-166052-1

Socket Contact, Gold (Au), Snap-In Contact Retention, Size 20

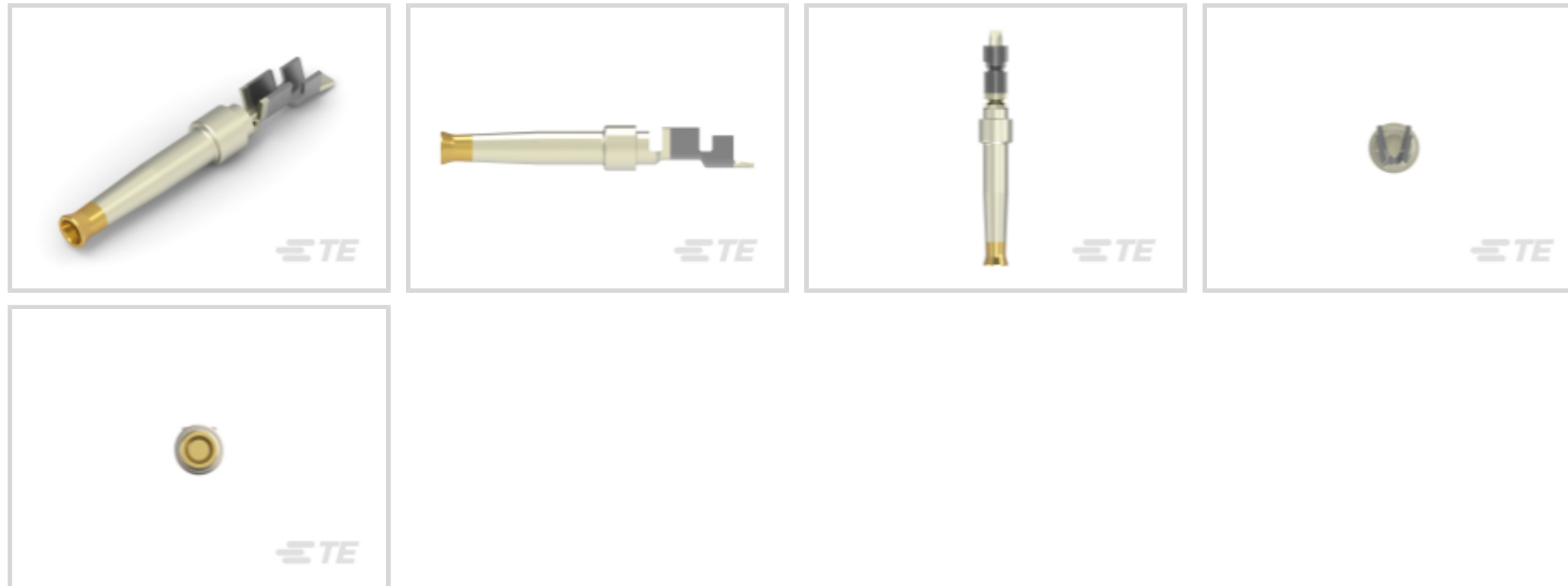
Contact Size, 28 – 24 AWG, .08 – .22 mm² Wire, Crimp, Phosphor

Bronze, Signal

[View on TE.com >](#)



Connectors > Contacts > Connector Contacts > D-Sub Conn Contacts: Socket, Phosphor Bronze, Signal, Size 20



Contact Type: **Socket**

Contact Mating Area Plating Material: **Gold (Au)**

Contact Retention Type Within Housing: **Snap-In**

Contact Size: **Size 20**

Wire Size: **28 – 24 AWG**

[All D-Sub Conn Contacts: Socket, Phosphor Bronze, Signal, Size 20 \(51\)](#)

Features

Contact Features

Contact Underplating Material	Nickel
Mating Pin Diameter	1 mm
PCB Contact Termination Area Plating Material	Tin
Contact Mating Area Plating Material Thickness	.76 µm
Contact Type	Socket
Contact Mating Area Plating Material	Gold (Au)
Contact Size	Size 20
Contact Base Material	Phosphor Bronze
Contact Current Rating (Max)	1.2 A

Termination Features

Termination Method to Wire & Cable	Crimp
Product Terminates To	Wire & Cable



Mechanical Attachment

Wire Insulation Support	With
Contact Retention Type Within Housing	Snap-In

Dimensions

Compatible Insulation Diameter Range	.76 – 1.02 mm [.03 – .04 in]
Wire Size	.08 – .22 mm ²

Usage Conditions

Operating Temperature Range	-55 – 105 °C [-67 – 221 °F]
-----------------------------	-----------------------------

Operation/Application

Circuit Application	Signal
---------------------	--------

Identification Marking

Contact Color Code	Blue
--------------------	------

Packaging Features

Packaging Method	Small Reel
Packaging Quantity	500

Product Compliance

[For compliance documentation, visit the product page on TE.com>](#)

EU RoHS Directive 2011/65/EU	Compliant
EU ELV Directive 2000/53/EC	Compliant
China RoHS 2 Directive MIIT Order No 32, 2016	No Restricted Materials Above Threshold
EU REACH Regulation (EC) No. 1907/2006	Current ECHA Candidate List: JAN 2025 (247) Candidate List Declared Against: JAN 2025 (247) Does not contain REACH SVHC
Halogen Content	Low Halogen - Br, Cl, F, I < 900 ppm per homogenous material. Also BFR/CFR/PVC Free
Solder Process Capability	Not applicable for solder process capability

Product Compliance Disclaimer

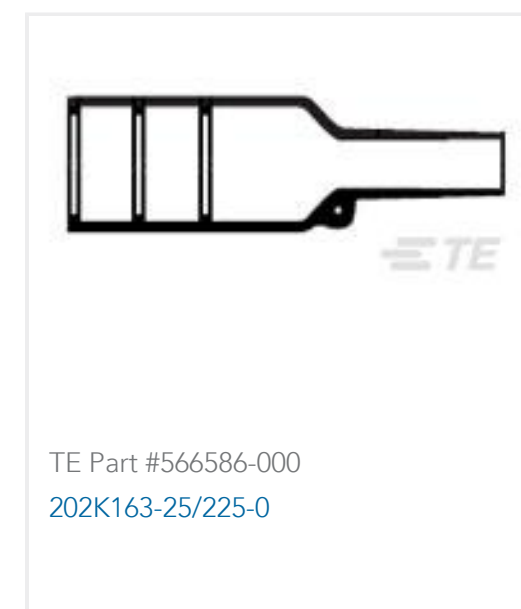
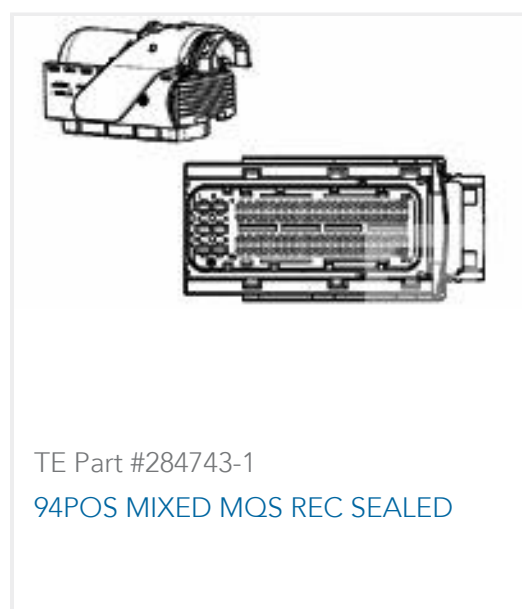
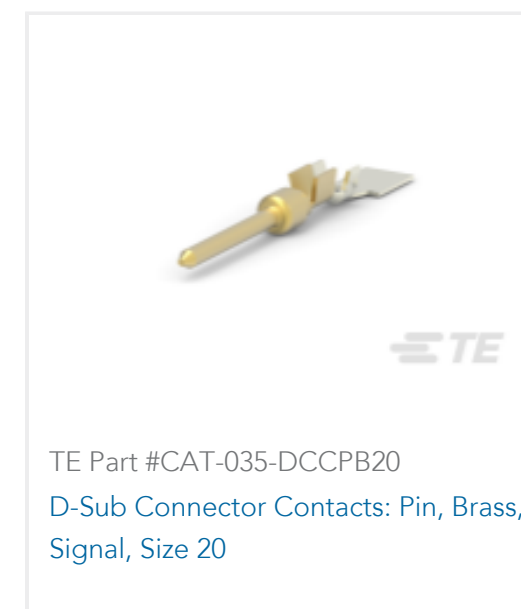
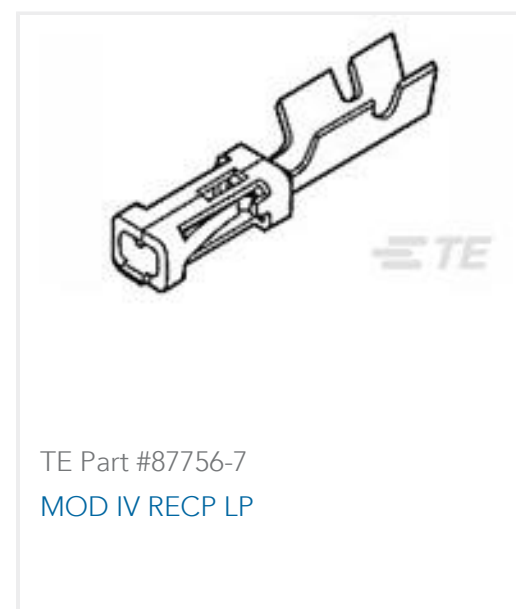
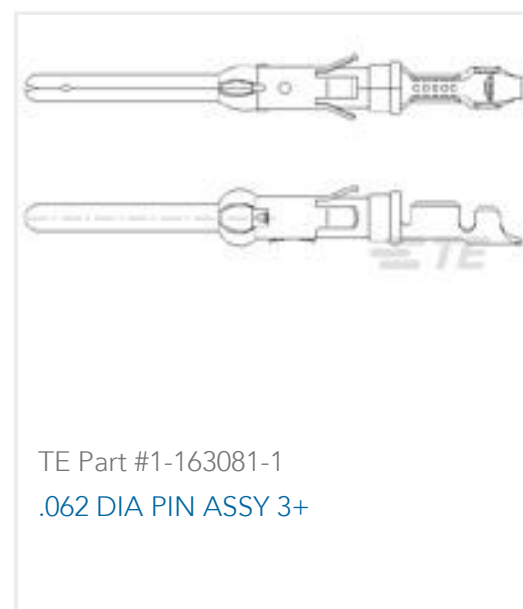
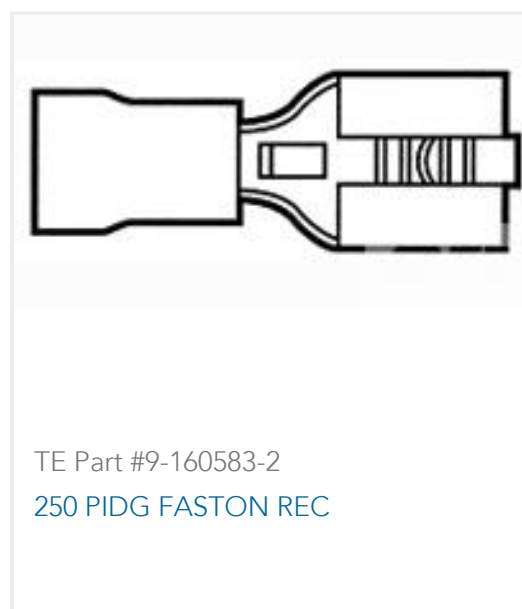
This information is provided based on reasonable inquiry of our suppliers and represents our current actual knowledge based on the information they provided. This information is subject to change. The part numbers that TE has identified as EU RoHS compliant have a maximum concentration of 0.1% by weight in homogenous materials for lead, hexavalent chromium, mercury, PBB, PBDE, DBP, BBP, DEHP, DIBP, and 0.01% for cadmium, or qualify for an exemption to these limits as defined in the Annexes of Directive 2011/65/EU (RoHS2). Finished electrical and electronic equipment products

will be CE marked as required by Directive 2011/65/EU. Components may not be CE marked. Additionally, the part numbers that TE has identified as EU ELV compliant have a maximum concentration of 0.1% by weight in homogenous materials for lead, hexavalent chromium, and mercury, and 0.01% for cadmium, or qualify for an exemption to these limits as defined in the Annexes of Directive 2000/53/EC (ELV). Regarding the REACH Regulation, the information TE provides on SVHC in articles for this part number is based on the latest European Chemicals Agency (ECHA) 'Guidance on requirements for substances in articles' posted at this URL: <https://echa.europa.eu/guidance-documents/guidance-on-reach>

Compatible Parts



Customers Also Bought



Documents

[Product Drawings](#)



HDF20 SOCKET F CRIMP SIZE28-24

English

CAD Files

3D PDF

3D

Customer View Model

[ENG_CVM_CVM_5-166052-1_AF.2d_dxf.zip](#)

English

Customer View Model

[ENG_CVM_CVM_5-166052-1_AF.3d_igs.zip](#)

English

Customer View Model

[ENG_CVM_CVM_5-166052-1_AF.3d_stp.zip](#)

English

By downloading the CAD file I accept and agree to the [Terms and Conditions](#) of use.

Datasheets & Catalog Pages

[AMPLIMITE Subminiature D Connectors - Subminiature D Connectors for Cable Mounting](#)

English

Product Specifications

[Application Specification](#)

English