



Neohm | Neohm ROX

TE Internal #: 5-1625890-3

47 ohm, Through-Hole Power Resistor, Metal Oxide Film, 2 W, 5 %, ±350 ppm/°C, Axial-Leaded, Copper Termination, 15 x 5 mm, Ammo Packed, Neohm ROX

[View on TE.com >](#)

Passive Components > Resistors > Through-Hole Resistors



Resistance Value: 47 Ω

Resistor Type: Power Resistor

Element Type: Metal Oxide Film

Power Rating: 2 W

Resistance Class: Up to 1kΩ

### Features

#### Product Type Features

Resistor Type	Power Resistor
Element Type	Metal Oxide Film

#### Configuration Features

Number of Resistors	1
---------------------	---

#### Electrical Characteristics

Resistance Value	47 Ω
Power Rating	2 W
Resistance Class	Up to 1kΩ
Passive Component Tolerance	5 %

#### Body Features

Lead Type	Axial-Leaded
-----------	--------------

#### Termination Features

Termination Area Base Material	Copper
Number of Terminations	2

#### Dimensions

Passive Component Dimensions	15 x 5 mm
------------------------------	-----------

#### Usage Conditions

--	--



Operating Temperature Range	-55 – 235 °C
Temperature Coefficient	±350 ppm/°C

**Packaging Features**

Packaging Method	Ammo Packed
------------------	-------------

**Product Compliance**

[For compliance documentation, visit the product page on TE.com>](#)

EU RoHS Directive 2011/65/EU	Compliant
EU ELV Directive 2000/53/EC	Compliant
China RoHS 2 Directive MIIT Order No 32, 2016	No Restricted Materials Above Threshold
EU REACH Regulation (EC) No. 1907/2006	Current ECHA Candidate List: JAN 2025 (247) Candidate List Declared Against: JAN 2025 (247) Does not contain REACH SVHC
Halogen Content	Low Halogen - Br, Cl, F, I < 900 ppm per homogenous material. Also BFR/CFR/PVC Free
Solder Process Capability	Wave solder capable to 265°C

Product Compliance Disclaimer

This information is provided based on reasonable inquiry of our suppliers and represents our current actual knowledge based on the information they provided. This information is subject to change. The part numbers that TE has identified as EU RoHS compliant have a maximum concentration of 0.1% by weight in homogenous materials for lead, hexavalent chromium, mercury, PBB, PBDE, DBP, BBP, DEHP, DIBP, and 0.01% for cadmium, or qualify for an exemption to these limits as defined in the Annexes of Directive 2011/65/EU (RoHS2). Finished electrical and electronic equipment products will be CE marked as required by Directive 2011/65/EU. Components may not be CE marked. Additionally, the part numbers that TE has identified as EU ELV compliant have a maximum concentration of 0.1% by weight in homogenous materials for lead, hexavalent chromium, and mercury, and 0.01% for cadmium, or qualify for an exemption to these limits as defined in the Annexes of Directive 2000/53/EC (ELV). Regarding the REACH Regulation, the information TE provides on SVHC in articles for this part number is based on the latest European Chemicals Agency (ECHA) 'Guidance on requirements for substances in articles' posted at this URL: <https://echa.europa.eu/guidance-documents/guidance-on-reach>

**Compatible Parts**





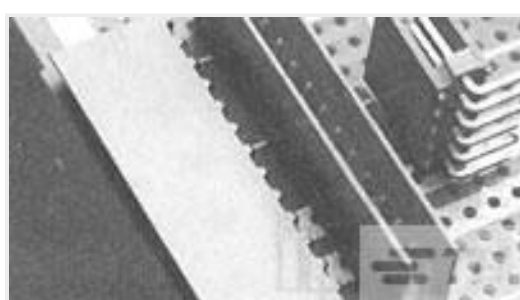
TE Part # 4-1625886-1  
1W SM M/OX 5% 820K

### Also in the Series | Neohm ROX



Through-Hole Resistors(783)

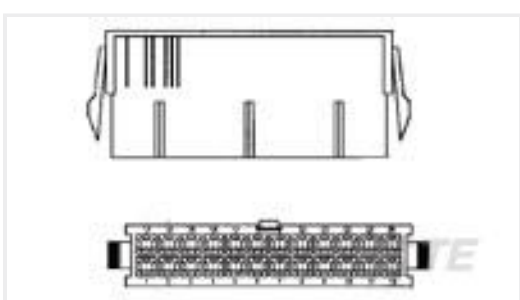
### Customers Also Bought



TE Part #281695-4  
HEADER HE14 STRAIGHT 4 P



TE Part #1-1625892-3  
3W SM M/OX 5% 12R



TE Part #1586861-2  
2P PM PLUG VAL-U-LOK PM GW



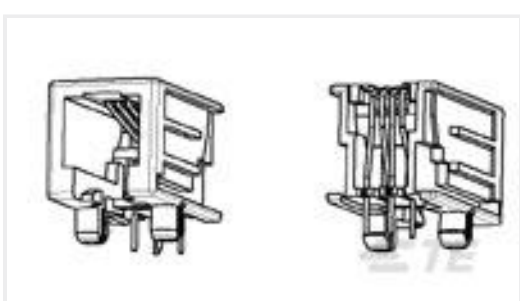
TE Part #2176486-4  
BMC 0805 300R 25% A Gen C



TE Part #6-1393238-2  
RTD14012



TE Part #3-1630012-6  
HSC150 680R 5%



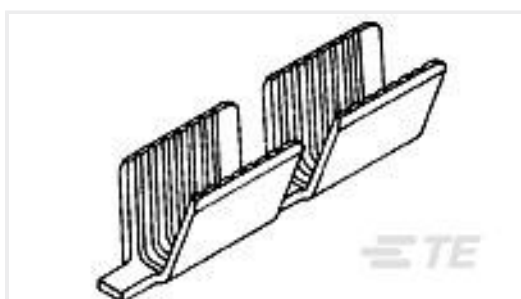
TE Part #1-1705949-1  
Modular Jack SE, 4/4, Gold flash



TE Part #1586853-1  
09P UMNL CAP HSG, GW



TE Part #9-2176412-6  
5W XSM M/OX 5% 47K



TE Part #62200-2  
SPLC AMVAR 600-3000 020TPBR



## Documents

### Product Drawings

[2W SM M/OX 5% 47R](#)

English

---

### CAD Files

[3D PDF](#)

3D

Customer View Model

[ENG\\_CVM\\_CVM\\_5-1625890-3\\_BA.2d\\_dxf.zip](#)

English

Customer View Model

[ENG\\_CVM\\_CVM\\_5-1625890-3\\_BA.3d\\_igs.zip](#)

English

Customer View Model

[ENG\\_CVM\\_CVM\\_5-1625890-3\\_BA.3d\\_stp.zip](#)

English

By downloading the CAD file I accept and agree to the [Terms and Conditions](#) of use.

---

### Datasheets & Catalog Pages

[4-1773460-6\\_RESISTIVE\\_SOLUTIONS\\_RAIL](#)

English

[1309350\\_PASSIVE\\_COMPONENT](#)

English

[8-1773459-4\\_POWER\\_FILTERING\\_AND\\_RESISTIVE\\_SOLUTIONS\\_FOR\\_ELEVATORS\\_AND\\_ESCALATORS](#)

English

[Flame Proof Power Metal Oxide Film Resistors - Type ROX Series - Tyco Electronics Passives](#)

English