

5-1618394-7 ✓ ACTIVE

Kilovac | Kilovac CAP202

TE Internal #: 5-1618394-7

High Voltage Contactor, DC, 2 Form X DPST-NO, 300 A Contact Rating, 32 VDC Coil Voltage, Chassis Mount, Environmentally Sealed, Kilovac CAP202

[View on TE.com >](#)



Relays & Contactors > Electromechanical Relays



Relay & Contactor Type: **High Voltage Contactor**

Current Type: **DC**

Contact Arrangement: **2 Form X DPST-NO**

Contact Current Rating: **300 A**

Coil Voltage Rating: **32 VDC**

## Features

### Product Type Features

Relay & Contactor Type	High Voltage Contactor
------------------------	------------------------

### Configuration Features

Auxiliary Switch Contact Arrangement	2 Form C, SPDT
Contact Number of Poles	2
Contact Arrangement	2 Form X DPST-NO

### Electrical Characteristics

Coil Resistance	98 $\Omega$
Contact Switching Voltage (Max)	600 VDC
Contact Current Rating	300 A
Coil Voltage Rating	32 VDC

### Body Features

Enclosure Type	Environmentally Sealed
----------------	------------------------

### Termination Features

Auxiliary Termination & Connection Type	D-Sub
Main Termination & Connection Type	M6 x 1 Female
Coil Termination & Connection Type	D-Sub

### Mechanical Attachment

Torque (Main)	80 in-lbs
---------------	-----------



Product Mount Type	Chassis Mount
--------------------	---------------

### Dimensions

Coil Wire Length	127 mm[5 in]
Wire Size	22 AWG

### Operation/Application

Current Type	DC
--------------	----

### Packaging Features

Packaging Method	Individual
------------------	------------

## Product Compliance

[For compliance documentation, visit the product page on TE.com>](#)

EU RoHS Directive 2011/65/EU	Compliant with Exemptions
EU ELV Directive 2000/53/EC	Compliant with Exemptions
China RoHS 2 Directive MIIT Order No 32, 2016	Restricted Materials Above Threshold
EU REACH Regulation (EC) No. 1907/2006	Current ECHA Candidate List: JAN 2025 (247) Candidate List Declared Against: JAN 2024 (240) Does not contain REACH SVHC
Halogen Content	Not Yet Reviewed for halogen content
Solder Process Capability	Hand solderable with lead free solder

#### Product Compliance Disclaimer

This information is provided based on reasonable inquiry of our suppliers and represents our current actual knowledge based on the information they provided. This information is subject to change. The part numbers that TE has identified as EU RoHS compliant have a maximum concentration of 0.1% by weight in homogenous materials for lead, hexavalent chromium, mercury, PBB, PBDE, DBP, BBP, DEHP, DIBP, and 0.01% for cadmium, or qualify for an exemption to these limits as defined in the Annexes of Directive 2011/65/EU (RoHS2). Finished electrical and electronic equipment products will be CE marked as required by Directive 2011/65/EU. Components may not be CE marked. Additionally, the part numbers that TE has identified as EU ELV compliant have a maximum concentration of 0.1% by weight in homogenous materials for lead, hexavalent chromium, and mercury, and 0.01% for cadmium, or qualify for an exemption to these limits as defined in the Annexes of Directive 2000/53/EC (ELV). Regarding the REACH Regulations, TE's information on SVHC in articles for this part number is still based on the European Chemical Agency (ECHA) 'Guidance on requirements for substances in articles' (Version: 2, April 2011), applying the 0.1% weight on weight concentration threshold at the finished product level. TE is aware of the European Court of Justice ruling of September 10th, 2015 also known as O5A (Once An Article Always An Article) stating that, in case of 'complex object', the threshold for a SVHC must be applied to both the product as a whole and simultaneously to each of the articles forming part of its composition. TE has evaluated this ruling based on the new ECHA "Guidance on requirements for substances in articles" (June 2017, version 4.0) and will be updating its statements accordingly.

## Compatible Parts



TE Part # 2-1618405-0  
CAP200ARANA=CONTACTOR SPST-NO 28V



TE Part # 2-1618411-9  
CAP120AVANG=CONTACTOR, SPST-NO, 12V COIL



TE Part # 1-1618222-9  
AP5A335=RELAY, VACUUM, SPST-NO



TE Part # 8-1618395-0  
CAP200HADEA=CONTACTOR, SPST-NO, 1PST AUX



TE Part # 2-1618405-2  
CAP200HRANA=CONTACTOR SPST-NO 28V

## Also in the Series

## Customers Also Bought



TE Part #114017-ZZ  
SEALING PLUG, SIZE 12/16, WHT



TE Part #CAT-D48-ST273  
DEUTSCH Solid Contacts



TE Part #CAT-D487-W416  
Wedgelocks: DEUTSCH DT



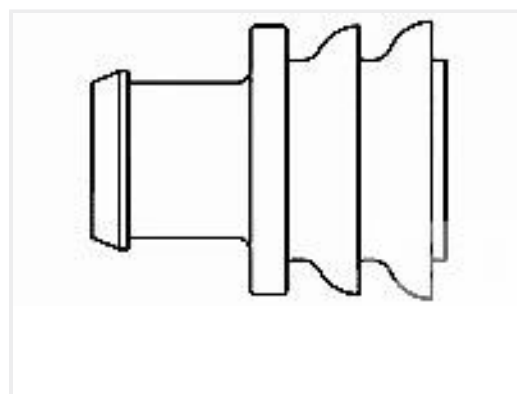
TE Part #DT06-2S  
PLG, 2P, GRY, N



TE Part #DT04-2P  
REC, 2P, GRY, N



TE Part #CAT-AM71-CH8172  
AMP SUPERSEAL 1.5MM, CONNECTOR HOUSING



TE Part #281934-2  
SINGLE WIRE SEAL

## Documents

### Product Drawings

[CAP202MSBFD=RELAY, DPST-NO](#)

English

### Datasheets & Catalog Pages

[5-1773450-5\\_sec7\\_CAP202](#)

English



---

[Agency Approvals](#)

[CE Declaration of Conformity](#)

English