

444334-1 ✓ ACTIVE

FASTON | FASTON 250

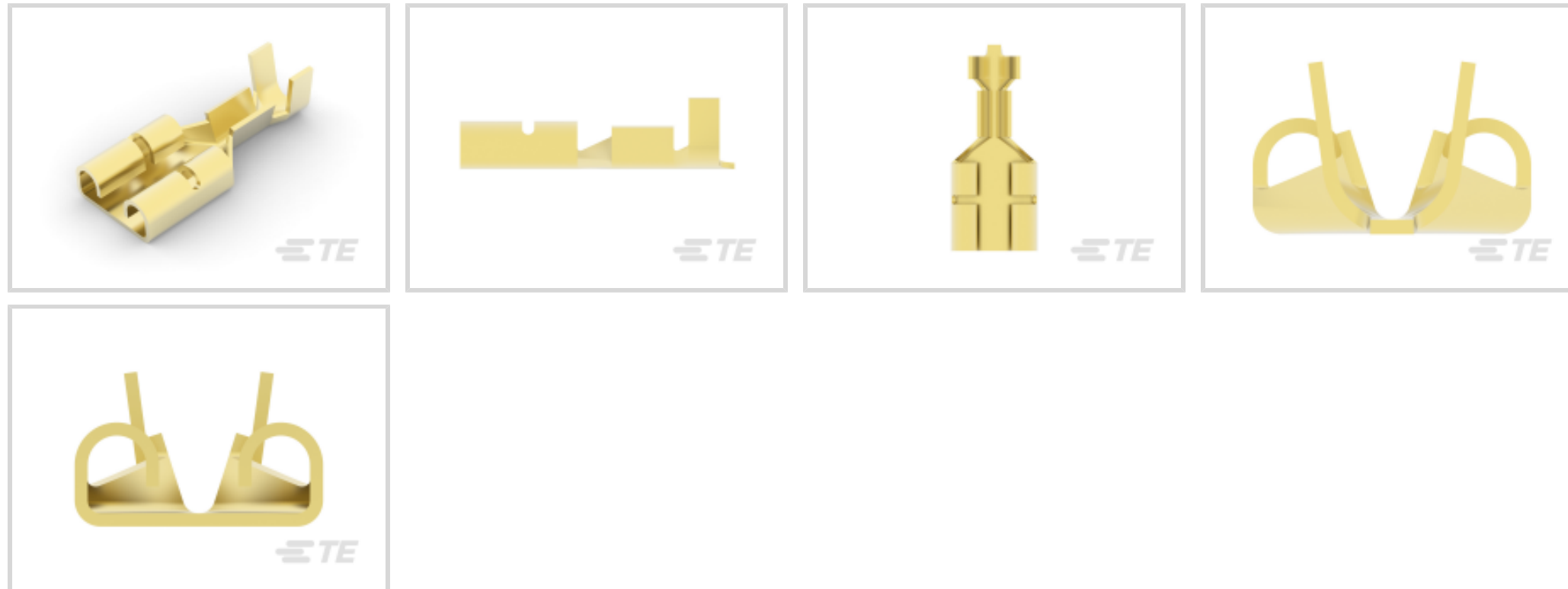
TE Internal #: 444334-1

Quick Disconnect Receptacle, 22 – 18 AWG, .32 – .82 mm<sup>2</sup> Wire,  
6.35 mm [.25 in] Tab Width, Straight, Brass, Unplated Plating, Strip  
/Reel, FASTON 250

[View on TE.com >](#)



Terminals & Splices > Quick Disconnects



Quick Disconnect Terminal Type: **Receptacle**

Wire Size: .32 – .82 mm<sup>2</sup>

Mating Tab Width: 6.35 mm [.25 in]

Mating Tab Thickness: .81 mm [.032 in]

## Features

### Product Type Features

Insertion Force	Low
-----------------	-----

### Configuration Features

Compatible With Wire & Cable Type	Discrete Wire
-----------------------------------	---------------

### Electrical Characteristics

Voltage Rating	240 V
----------------	-------

### Contact Features

Quick Disconnect Terminal Type	Receptacle
--------------------------------	------------

Mating Tab Width	6.35 mm [.25 in]
------------------	------------------

Mating Tab Thickness	.81 mm [.032 in]
----------------------	------------------

Terminal Orientation	Straight
----------------------	----------

Contact Base Material	Brass
-----------------------	-------

Terminal Plating Material	Unplated
---------------------------	----------

Crimp Type	F-Crimp
------------	---------

Barrel Type	Open
-------------	------



### Termination Features

Product Terminates To	Wire & Cable
-----------------------	--------------

### Mechanical Attachment

Wire Insulation Support	With
Mating Retention Type	Dimple
Extraction Force	4.1 kgf

### Dimensions

Product Length	17.1 mm [.67 in]
Compatible Insulation Diameter Range	2.31 – 3.3 mm [.091 – .13 in]
Terminal Material Thickness	.41 mm [.016 in]
Wire Size	.32 – .82 mm <sup>2</sup>

### Usage Conditions

Insulation Option	Uninsulated
Operating Temperature Range	-40 – 110 °C [-40 – 230 °F]

### Industry Standards

Compatible With Agency/Standards Products	UL
---	----

### Packaging Features

Packaging Quantity	10000
Packaging Method	Strip/Reel

### Product Compliance

[For compliance documentation, visit the product page on TE.com>](#)

EU RoHS Directive 2011/65/EU	Compliant
EU ELV Directive 2000/53/EC	Compliant
China RoHS 2 Directive MIIT Order No 32, 2016	No Restricted Materials Above Threshold
EU REACH Regulation (EC) No. 1907/2006	Current ECHA Candidate List: JAN 2025 (247) Candidate List Declared Against: JAN 2025 (247) Does not contain REACH SVHC
Halogen Content	Low Halogen - Br, Cl, F, I < 900 ppm per homogenous material. Also BFR/CFR/PVC Free
Solder Process Capability	Not applicable for solder process capability

## Product Compliance Disclaimer

This information is provided based on reasonable inquiry of our suppliers and represents our current actual knowledge based on the information they provided. This information is subject to change. The part numbers that TE has identified as EU RoHS compliant have a maximum concentration of 0.1% by weight in homogenous materials for lead, hexavalent chromium, mercury, PBB, PBDE, DBP, BBP, DEHP, DIBP, and 0.01% for cadmium, or qualify for an exemption to these limits as defined in the Annexes of Directive 2011/65/EU (RoHS2). Finished electrical and electronic equipment products will be CE marked as required by Directive 2011/65/EU. Components may not be CE marked. Additionally, the part numbers that TE has identified as EU ELV compliant have a maximum concentration of 0.1% by weight in homogenous materials for lead, hexavalent chromium, and mercury, and 0.01% for cadmium, or qualify for an exemption to these limits as defined in the Annexes of Directive 2000/53/EC (ELV). Regarding the REACH Regulation, the information TE provides on SVHC in articles for this part number is based on the latest European Chemicals Agency (ECHA) 'Guidance on requirements for substances in articles' posted at this URL: <https://echa.europa.eu/guidance-documents/guidance-on-reach>

## Compatible Parts



Also in the Series | **FASTON 250**



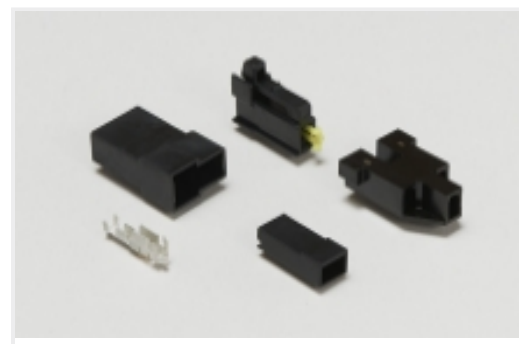
Compression Connectors(4)



Crimp Terminal Housings(116)



Insulation Boots & Sleeves(16)



Magnet Wire Terminals(1)



PCB Terminals(134)



Quick Disconnects(421)



Splices(4)

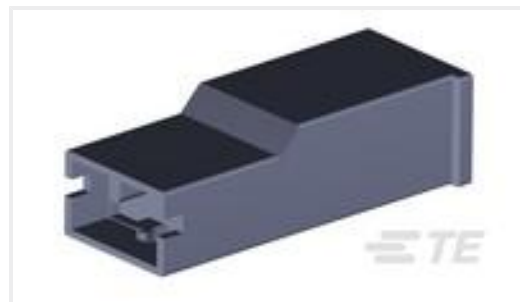
## Customers Also Bought



TE Part #1380088-1  
PL MKIII .250 REC 0.5-1.0MM2



TE Part #1-2133346-4  
250 FASTON HSG.,REC.,1 POS,BLACK



TE Part #1-2133341-1  
PL MK1 RECEPTACLE NATURAL 6.6 PA



TE Part #1-2133394-1  
187 FASTON HSG.,REC.,1 POS, NATRUAL



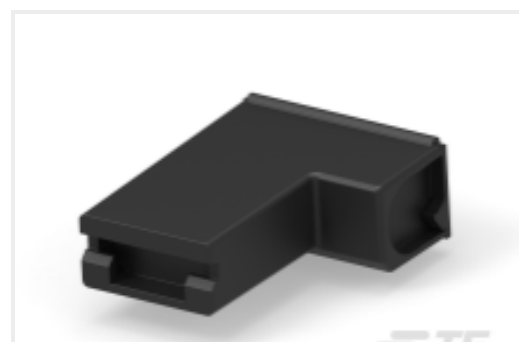
TE Part #2133857-1  
250 FASTON HSG.,FLAG,REC.,1 POS, NATRUAL



TE Part #521206-1  
POSI-LOK HSG.250-4 POS RAST5



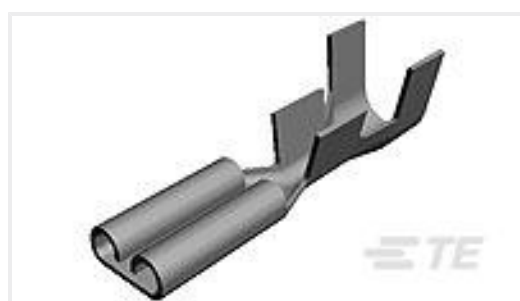
TE Part #4-280050-1  
250 FASTON,FLAG,REC.,16-20 AWG, BR



TE Part #2133857-5  
250 FASTON HSG.,FLAG,REC.,1 POS, BLACK



TE Part #1-2133346-0  
250 FASTON HSG.,REC.,1 POS, NATRUAL



TE Part #626041-1  
110 FASTON REC 22-16 AWG BR

## Documents



## Product Drawings

### 250 FASTON REC 22-18 AWG BR

English

---

## CAD Files

### 3D PDF

3D

#### Customer View Model

[ENG\\_CVM\\_CVM\\_444334-1\\_J\\_c-444334-1-j.2d\\_dxf.zip](#)

English

#### Customer View Model

[ENG\\_CVM\\_CVM\\_444334-1\\_J\\_c-444334-1-j.3d\\_igs.zip](#)

English

#### Customer View Model

[ENG\\_CVM\\_CVM\\_444334-1\\_J\\_c-444334-1-j.3d\\_stp.zip](#)

English

By downloading the CAD file I accept and agree to the [Terms and Conditions](#) of use.

---

## Product Specifications

### Product Specification

English

---

## Agency Approvals

### Agency Approval Document

English