

440129-5 ✓ ACTIVE



HPI

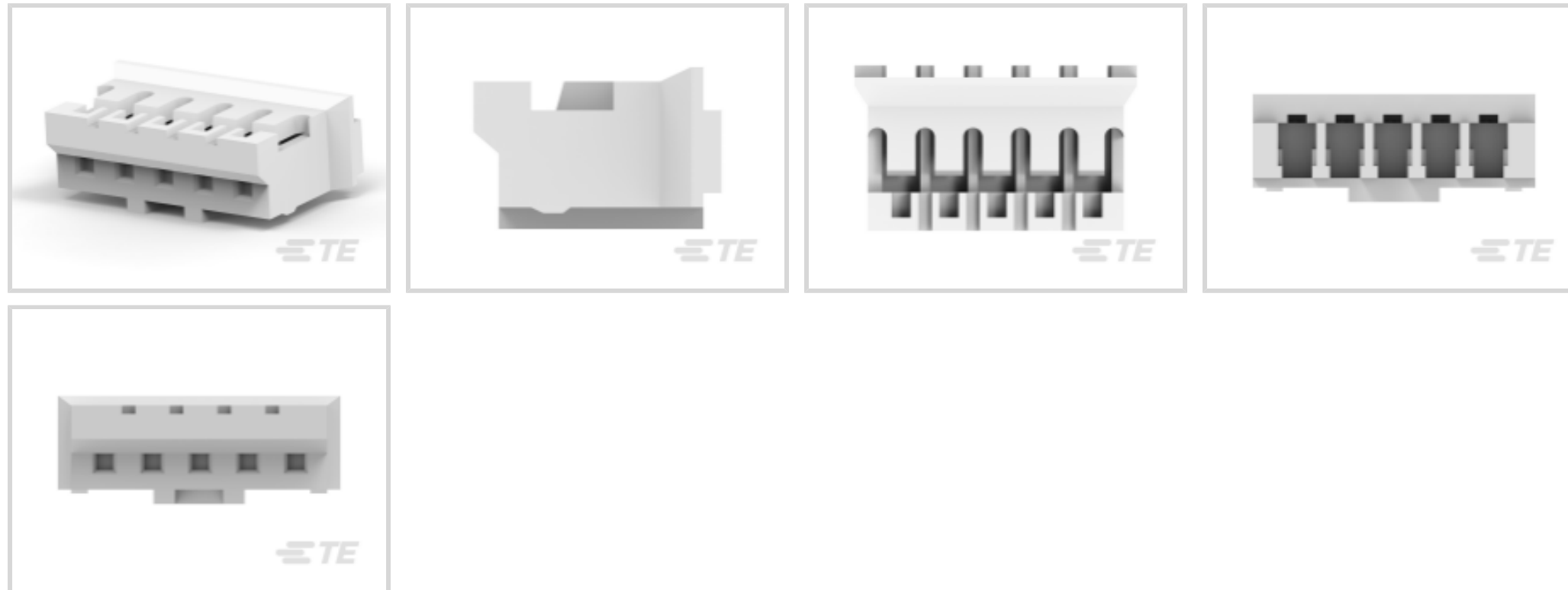
TE Internal #: 440129-5

Housing, Receptacle, Crimp, Wire-to-Board, UL 94V-0, 5 Position, 2 mm [.079 in] Centerline, 1 Row, HPI, Rectangular Wire & Cable

Connectors & Housings

[View on TE.com >](#)

Connectors > Rectangular Connectors > Standard Rectangular Connectors > AMP HPI 2.0 mm Receptacle Housings



Connector Product Type: **Housing**

Connector & Housing Type: **Receptacle**

Mating Retention: **With**

Mating Retention Type: **Detent**

Termination Method to Wire & Cable: **Crimp**

[All AMP HPI 2.0 mm Receptacle Housings \(59\)](#)

Features

Product Type Features

Connector Product Type	Housing
Connector & Housing Type	Receptacle
Connector System	Wire-to-Board
Sealable	No
Connector & Contact Terminates To	Wire & Cable

Configuration Features

Number of Positions	5
Number of Rows	1

Electrical Characteristics

Insulation Resistance	1000 MΩ
Operating Voltage	250 VAC

Body Features



Primary Product Color	Natural
-----------------------	---------

Contact Features

Contact Base Material	Copper Alloy
Contact Type	Socket
Contact Current Rating (Max)	3 A

Termination Features

Termination Method to Wire & Cable	Crimp
------------------------------------	-------

Mechanical Attachment

Strain Relief	Without
Panel Mount Feature	Without
Mating Retention	With
Mating Retention Type	Detent
Connector Mounting Type	Cable Mount (Free-Hanging)

Housing Features

Housing Material	Thermoplastic
Centerline (Pitch)	2 mm [.079 in]

Dimensions

Connector Width	6.9 mm [.272 in]
Compatible Insulation Diameter Range	.9 – 1.5 mm [.035 – .059 in]
Connector Height	4.5 mm [.177 in]
Wire Size	30 – 24 AWG
Connector Length	11.8 mm [.465 in]

Usage Conditions

Operating Temperature Range	-25 – 85 °C [-13 – 185 °F]
-----------------------------	----------------------------

Operation/Application

Circuit Application	Power & Signal
---------------------	----------------

Industry Standards

Glow Wire Rating	Standard Part - Not Glow Wire
UL Flammability Rating	UL 94V-0

Packaging Features

Packaging Method	Bag/Carton
------------------	------------



Packaging Quantity 1000

Product Compliance

[For compliance documentation, visit the product page on TE.com>](#)

EU RoHS Directive 2011/65/EU	Compliant
EU ELV Directive 2000/53/EC	Out of Scope
China RoHS 2 Directive MIIT Order No 32, 2016	No Restricted Materials Above Threshold
EU REACH Regulation (EC) No. 1907/2006	Current ECHA Candidate List: JAN 2025 (247) Candidate List Declared Against: JAN 2025 (247) Does not contain REACH SVHC
Halogen Content	Low Halogen - Br, Cl, F, I < 900 ppm per homogenous material. Also BFR/CFR/PVC Free
Solder Process Capability	Not applicable for solder process capability

Product Compliance Disclaimer

This information is provided based on reasonable inquiry of our suppliers and represents our current actual knowledge based on the information they provided. This information is subject to change. The part numbers that TE has identified as EU RoHS compliant have a maximum concentration of 0.1% by weight in homogenous materials for lead, hexavalent chromium, mercury, PBB, PBDE, DBP, BBP, DEHP, DIBP, and 0.01% for cadmium, or qualify for an exemption to these limits as defined in the Annexes of Directive 2011/65/EU (RoHS2). Finished electrical and electronic equipment products will be CE marked as required by Directive 2011/65/EU. Components may not be CE marked. Additionally, the part numbers that TE has identified as EU ELV compliant have a maximum concentration of 0.1% by weight in homogenous materials for lead, hexavalent chromium, and mercury, and 0.01% for cadmium, or qualify for an exemption to these limits as defined in the Annexes of Directive 2000/53/EC (ELV). Regarding the REACH Regulation, the information TE provides on SVHC in articles for this part number is based on the latest European Chemicals Agency (ECHA) 'Guidance on requirements for substances in articles' posted at this URL: <https://echa.europa.eu/guidance-documents/guidance-on-reach>

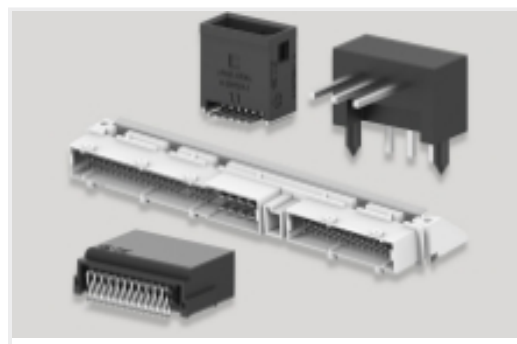
Compatible Parts



Also in the Series | HPI



Connector Contacts(1)



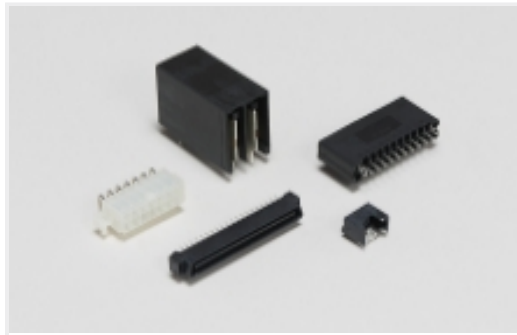
PCB Headers & Receptacles(332)



Rectangular Connector Housings(86)



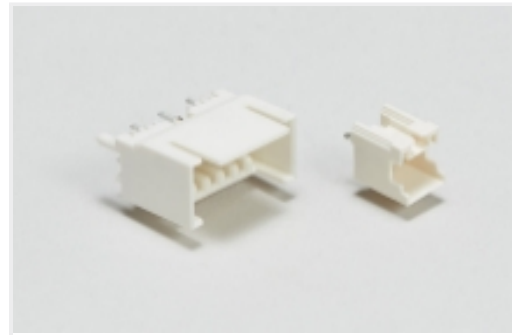
Rectangular Power Connectors(310)



Standard Rectangular Connectors(86)

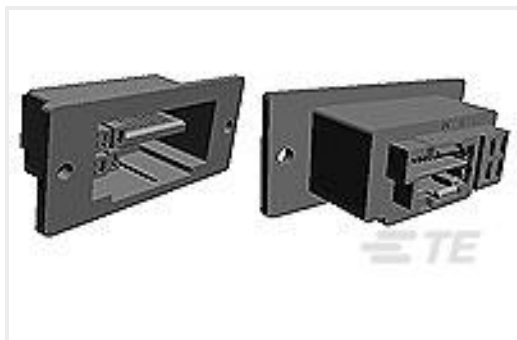


Wire-to-Board Connector Assemblies & Housings(48)



Wire-to-Board Headers & Receptacles (332)

Customers Also Bought

TE Part #4-292246-2
1.5 MINI CT LATTICE REC KEY BTE Part #CAT-H857-H34220
AMP HPI 2.0 mm HeadersTE Part #L9000336-01
2.92 Plug to 2.92 PlugTE Part #CAT-H857-H817220
AMP HPI 2.0 mm Receptacle HousingsTE Part #803754-SF
FN9222B-10-06

Documents

Product Drawings

[2.0MM,HSG,5POS](#)

English

CAD Files

Customer View Model

[ENG_CVM_CVM_440129-5_C2.2d_dxf.zip](#)

English

[3D PDF](#)



3D

Customer View Model

[ENG_CVM_CVM_440129-5_C2.3d_stp.zip](#)

English

Customer View Model

[ENG_CVM_CVM_440129-5_C2.3d_igs.zip](#)

English

By downloading the CAD file I accept and agree to the [Terms and Conditions](#) of use.

Datasheets & Catalog Pages

[HPI Connectors QRG](#)

English

Product Specifications

[Application Specification](#)

English

Agency Approvals

[UL Report](#)

English

[UL Report](#)

English