

42868-1 ✓ ACTIVE

## SHUR-PLUG 180

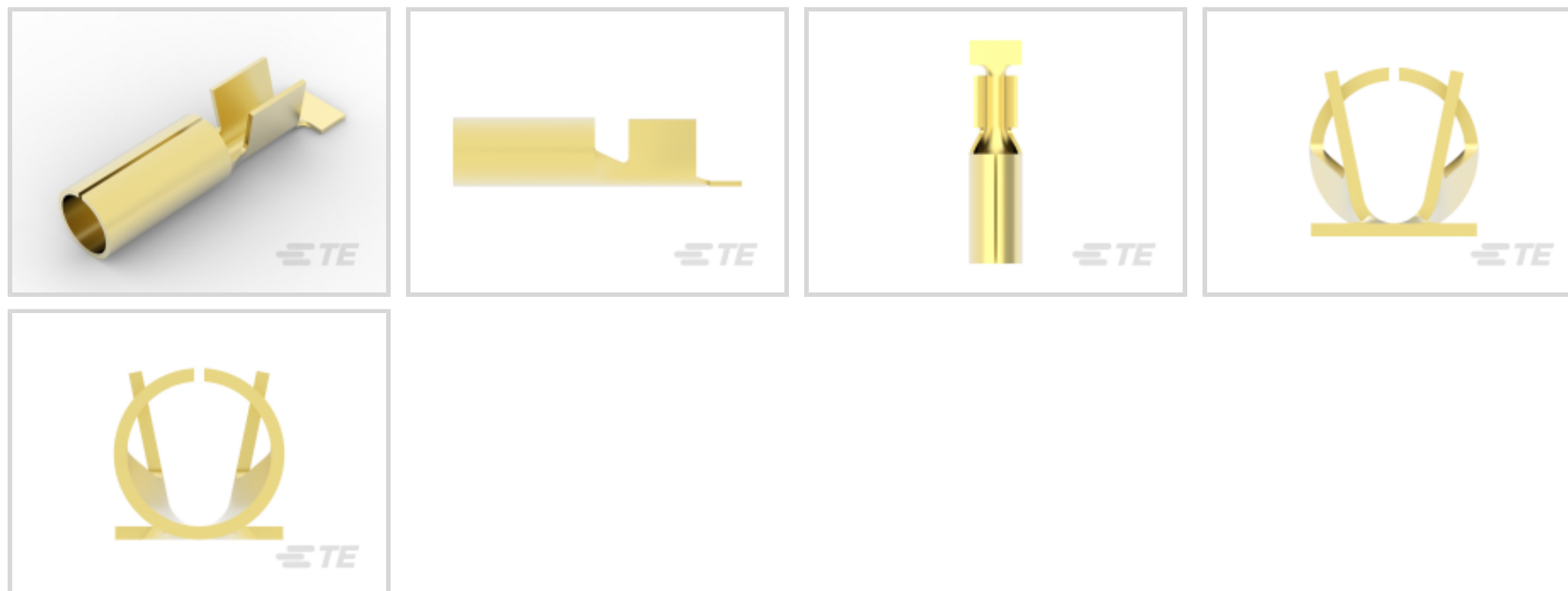
TE Internal #: 42868-1

Shur-Plug, 4.57 mm [.18 in] Pin Diameter, 14 – 10 AWG, 2 – 6 mm<sup>2</sup>  
Wire, 9600 CMA, Open Barrel, Unplated Plating, SHUR-PLUG 180

[View on TE.com >](#)



Terminals & Splices > Crimp Wire Pins, Tabs & Ferrules



Crimp Wire Terminal Type: **Shur-Plug**

Mating Pin Diameter: **4.57 mm [.18 in]**

Wire Size: **9600 CMA**

### Features

#### Product Type Features

Compatible With Discrete Wire Type      Solid, Stranded

#### Configuration Features

Compatible With Wire & Cable Type      Discrete Wire

#### Contact Features

Crimp Wire Terminal Type      Shur-Plug

Mating Pin Diameter      4.57 mm [.18 in]

Barrel Type      Open

Terminal Plating Material      Unplated

Terminal Orientation      Straight

#### Mechanical Attachment

Wire Insulation Support      Without

#### Dimensions

Wire Size      9600 CMA

Barrel Inside Diameter      1.9 mm [.075 in]

Terminal Material Thickness      .39 mm [.016 in]

Overall Product Length      18.28 mm [.72 in]

### Usage Conditions

Insulation Option	Uninsulated
Operating Temperature Range	-40 – 105 °C[-40 – 221 °F]

### Packaging Features

Packaging Quantity	10000
Packaging Method	Reel

### Product Compliance

[For compliance documentation, visit the product page on TE.com>](#)

EU RoHS Directive 2011/65/EU	Compliant
EU ELV Directive 2000/53/EC	Compliant
China RoHS 2 Directive MIIT Order No 32, 2016	No Restricted Materials Above Threshold
EU REACH Regulation (EC) No. 1907/2006	Current ECHA Candidate List: JAN 2025 (247) Candidate List Declared Against: JAN 2025 (247) Does not contain REACH SVHC
Halogen Content	Low Halogen - Br, Cl, F, I < 900 ppm per homogenous material. Also BFR/CFR/PVC Free
Solder Process Capability	Not applicable for solder process capability

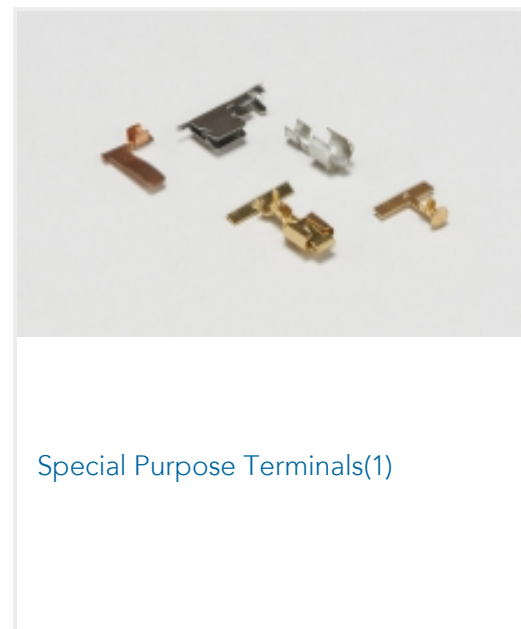
#### Product Compliance Disclaimer

This information is provided based on reasonable inquiry of our suppliers and represents our current actual knowledge based on the information they provided. This information is subject to change. The part numbers that TE has identified as EU RoHS compliant have a maximum concentration of 0.1% by weight in homogenous materials for lead, hexavalent chromium, mercury, PBB, PBDE, DBP, BBP, DEHP, DIBP, and 0.01% for cadmium, or qualify for an exemption to these limits as defined in the Annexes of Directive 2011/65/EU (RoHS2). Finished electrical and electronic equipment products will be CE marked as required by Directive 2011/65/EU. Components may not be CE marked. Additionally, the part numbers that TE has identified as EU ELV compliant have a maximum concentration of 0.1% by weight in homogenous materials for lead, hexavalent chromium, and mercury, and 0.01% for cadmium, or qualify for an exemption to these limits as defined in the Annexes of Directive 2000/53/EC (ELV). Regarding the REACH Regulation, the information TE provides on SVHC in articles for this part number is based on the latest European Chemicals Agency (ECHA) 'Guidance on requirements for substances in articles' posted at this URL: <https://echa.europa.eu/guidance-documents/guidance-on-reach>

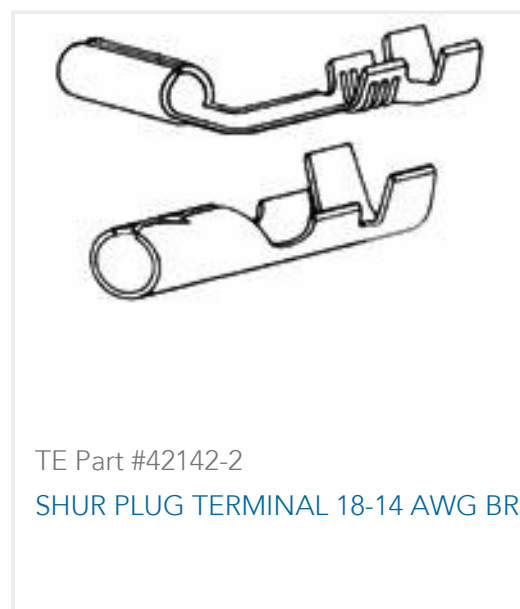
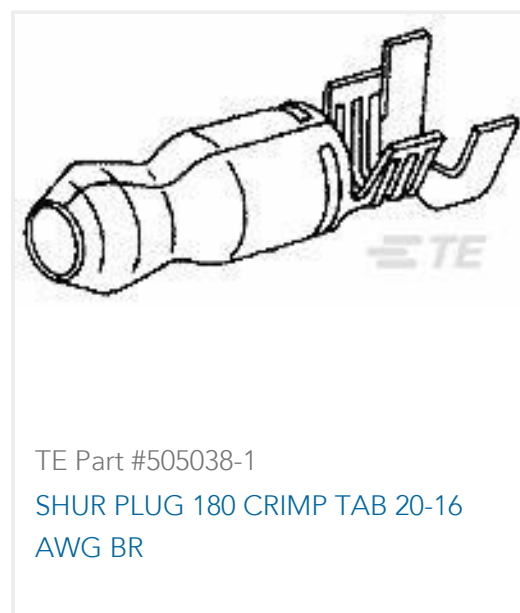
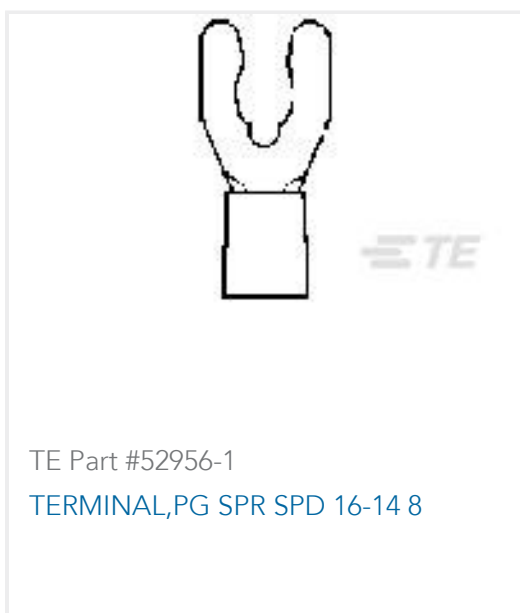
### Compatible Parts

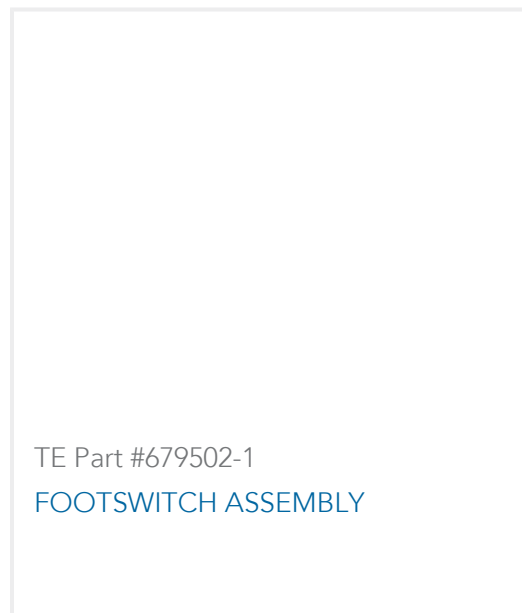


Also in the Series | **SHUR-PLUG 180**



Customers Also Bought





## Documents

### Product Drawings

[SHUR PLUG 180 RECEPTACLE 14-10 AWG BR](#)

English

### CAD Files

[3D PDF](#)

3D

Customer View Model

[ENG\\_CVM\\_CVM\\_42868-1\\_AB.2d\\_dxf.zip](#)

English

Customer View Model

[ENG\\_CVM\\_CVM\\_42868-1\\_AB.3d\\_igs.zip](#)

English

Customer View Model

[ENG\\_CVM\\_CVM\\_42868-1\\_AB.3d\\_stp.zip](#)

English

By downloading the CAD file I accept and agree to the [Terms and Conditions](#) of use.

### Product Specifications

[Application Specification](#)

English