

42460-2 ✓ ACTIVE

FASTIN-FASTON | FASTIN-FASTON 250

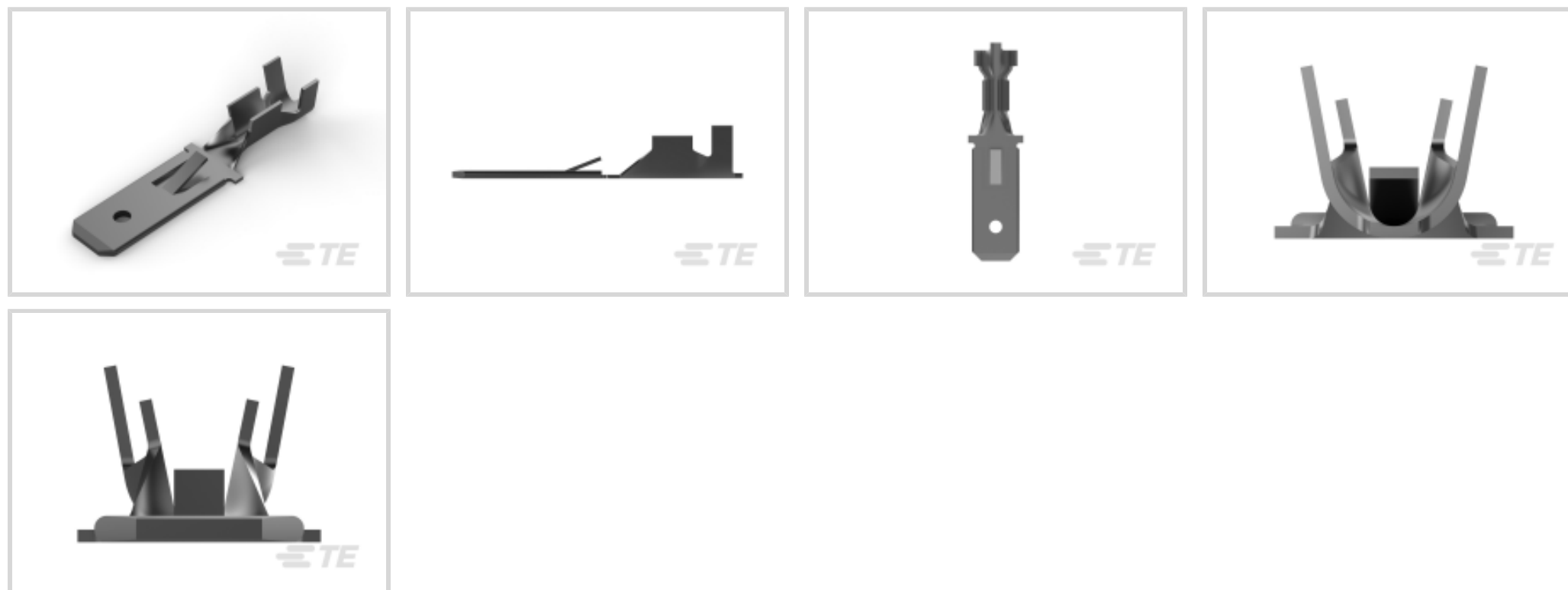
TE Internal #: 42460-2

Quick Disconnect Tab, 18 – 14 AWG, .82 – 2.08 mm<sup>2</sup> Wire, 6.35 mm [.25 in] Tab Width, Straight, Brass, Tin Plating, Strip/Reel, FASTIN-FASTON 250

[View on TE.com >](#)



Terminals & Splices > Quick Disconnects



Quick Disconnect Terminal Type: **Tab**

Wire Size: **.82 – 2.08 mm<sup>2</sup>**

Mating Tab Width: **6.35 mm [.25 in]**

Mating Tab Thickness: **.81 mm [.032 in]**

## Features

### Product Type Features

Insertion Force	Normal
-----------------	--------

### Configuration Features

Compatible With Wire & Cable Type	Discrete Wire
-----------------------------------	---------------

Connection Capacity	Single
---------------------	--------

### Contact Features

Quick Disconnect Terminal Type	Tab
--------------------------------	-----

Mating Tab Width	6.35 mm [.25 in]
------------------	------------------

Mating Tab Thickness	.81 mm [.032 in]
----------------------	------------------

Terminal Orientation	Straight
----------------------	----------

Contact Base Material	Brass
-----------------------	-------

Terminal Plating Material	Tin
---------------------------	-----

Crimp Type	F-Crimp
------------	---------

Barrel Type	Open
-------------	------

### Termination Features



Product Terminates To	Wire & Cable
-----------------------	--------------

### Mechanical Attachment

	.055 in
--	---------

Wire Insulation Support	With
-------------------------	------

Mating Retention Type	Locking Lance
-----------------------	---------------

### Dimensions

Product Length	28.11 mm[1.107 in]
----------------	--------------------

Compatible Insulation Diameter Range	2.54 – 4.32 mm[.1 – .17 in]
--------------------------------------	-----------------------------

Terminal Material Thickness	.4 mm[.015 in]
-----------------------------	----------------

Wire Size	.82 – 2.08 mm <sup>2</sup>
-----------	----------------------------

### Usage Conditions

Insulation Option	Uninsulated
-------------------	-------------

Operating Temperature Range	-40 – 110 °C[-40 – 230 °F]
-----------------------------	----------------------------

### Packaging Features

Packaging Quantity	9000
--------------------	------

Packaging Method	Strip/Reel
------------------	------------

### Product Compliance

[For compliance documentation, visit the product page on TE.com>](#)

EU RoHS Directive 2011/65/EU	Compliant
------------------------------	-----------

EU ELV Directive 2000/53/EC	Compliant
-----------------------------	-----------

China RoHS 2 Directive MIIT Order No 32, 2016	No Restricted Materials Above Threshold
---	---

EU REACH Regulation (EC) No. 1907/2006	Current ECHA Candidate List: JAN 2025 (247) Candidate List Declared Against: JAN 2025 (247) Does not contain REACH SVHC
--	---

Halogen Content	Low Halogen - Br, Cl, F, I < 900 ppm per homogenous material. Also BFR/CFR/PVC Free
-----------------	---

Solder Process Capability	Not applicable for solder process capability
---------------------------	--

#### Product Compliance Disclaimer

This information is provided based on reasonable inquiry of our suppliers and represents our current actual knowledge based on the information they provided. This information is subject to change. The part numbers that TE has identified as EU RoHS compliant have a maximum concentration of 0.1% by weight in homogenous materials for lead, hexavalent chromium, mercury, PBB, PBDE, DBP, BBP, DEHP, DIBP, and 0.01% for cadmium, or qualify for an exemption to these

limits as defined in the Annexes of Directive 2011/65/EU (RoHS2). Finished electrical and electronic equipment products will be CE marked as required by Directive 2011/65/EU. Components may not be CE marked. Additionally, the part numbers that TE has identified as EU ELV compliant have a maximum concentration of 0.1% by weight in homogenous materials for lead, hexavalent chromium, and mercury, and 0.01% for cadmium, or qualify for an exemption to these limits as defined in the Annexes of Directive 2000/53/EC (ELV). Regarding the REACH Regulation, the information TE provides on SVHC in articles for this part number is based on the latest European Chemicals Agency (ECHA) 'Guidance on requirements for substances in articles' posted at this URL: <https://echa.europa.eu/guidance-documents/guidance-on-reach>

## Compatible Parts



**KIT**  
REPRESENTATION ONLY

TE Part # 7-2150046-7  
OCEAN\_2.0\_SPARE\_PART\_KIT-110F160F



TE Part # 880688-2  
FF 250 TERMINAL 0.5-1.0MM2 0.39 X13.2TPBR



REPRESENTATION ONLY

TE Part # 720725-1  
DAHT 250 FASTIN-ON TAB REC 18-14 ASSY



TE Part # 880636-2  
FF 250 TAB 1.0-2.5 MM2 0.39 X 13.2 TPBR



REPRESENTATION ONLY

TE Part # 90165-1  
DAHT 250 FASTON REC 18-14 ASSY

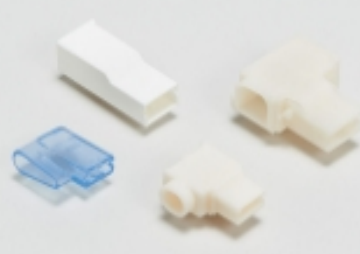


TE Part # 2150046-2  
OCEAN\_2.0\_APPLICATOR-E-110F160F-REA




TE Part # 880638-2  
.110 SERIES FASTIN-RE


## Also in the Series | FASTIN-FASTON 250



Crimp Terminal Housings(195)

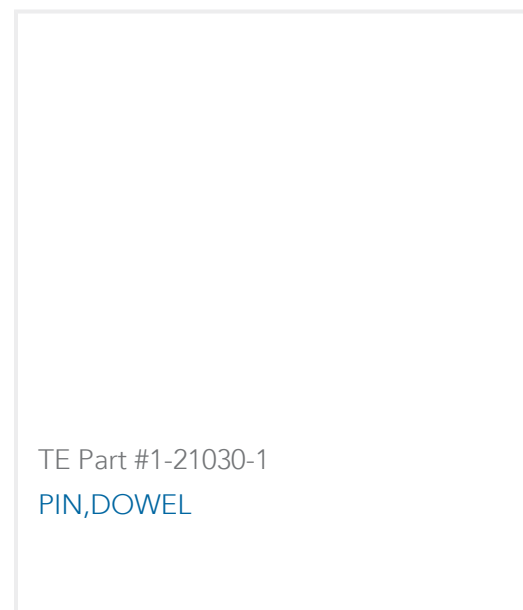
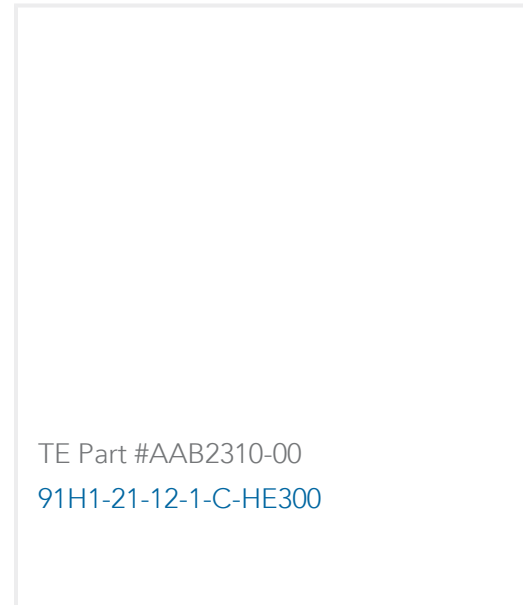
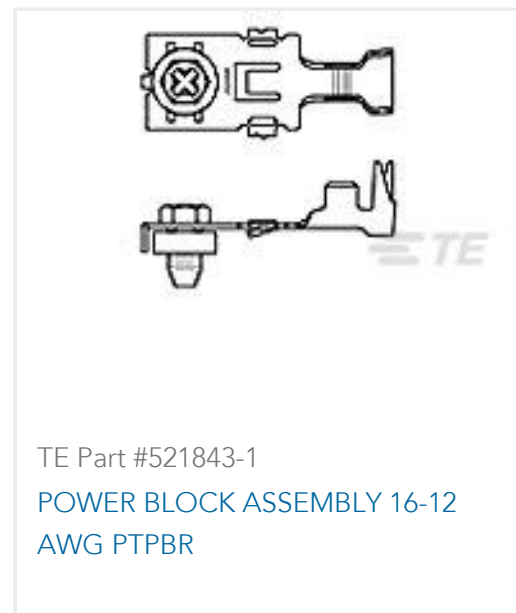
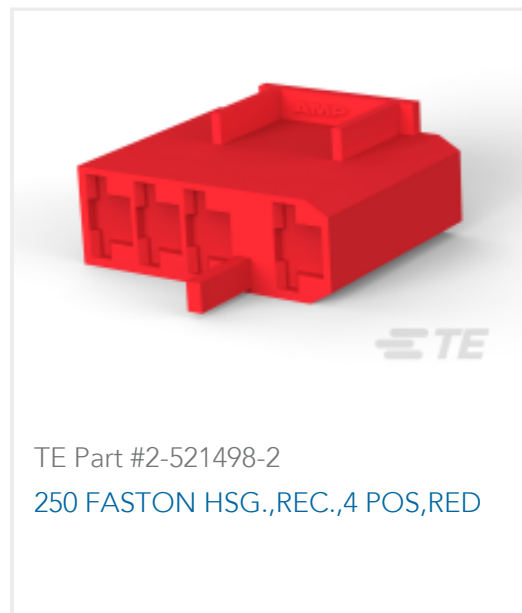


Insertion & Extraction Tools(2)



Quick Disconnects(216)

## Customers Also Bought



## Documents

### Product Drawings

[FF 250 TAB 18-14AWG TPBR](#)

English

### CAD Files

[3D PDF](#)

3D

Customer View Model

[ENG\\_CVM\\_CVM\\_42460-2\\_BJ\\_c-42460-2-bj.2d\\_dxf.zip](#)

English

Customer View Model

[ENG\\_CVM\\_CVM\\_42460-2\\_BJ\\_c-42460-2-bj.3d\\_igs.zip](#)

English

Customer View Model

[ENG\\_CVM\\_CVM\\_42460-2\\_BJ\\_c-42460-2-bj.3d\\_stp.zip](#)

English

By downloading the CAD file I accept and agree to the [Terms and Conditions](#) of use.

### Datasheets & Catalog Pages



[FASTIN\\_FASTON\\_Product\\_Line](#)

English

[Positive Lock Receptacles](#)

English

[1654742\\_HOUSEHOLD\\_APPLIANCES\\_RAST5](#)

English

---

[Product Specifications](#)

[Engineering Report](#)

English