



Sensors > Vibration Sensors

Accelerometer Type: **MEMS DC**Vibration Sensor Product Type: **MEMS Accelerometer**Number of Sensing Axes: **Triaxial**Frequency Response: **0-200 Hz**Full Scale Output Voltage: **.5 – 4.5 VDC**

Features

Product Type Features

Sensor Package	Plug & Play
Accelerometer Type	MEMS DC
Vibration Sensor Product Type	MEMS Accelerometer

Configuration Features

Electrical Connection	Integral Cable
-----------------------	----------------

Electrical Characteristics

Excitation Voltage Range	5 – 30 VDC
Full Scale Output Voltage	.5 – 4.5 VDC

Signal Characteristics

Frequency Response	0-200 Hz
--------------------	----------

Body Features

Product Weight	50 g[.175 oz]
Primary Product Material	Nylon 6/6
Number of Sensing Axes	Triaxial

Mechanical Attachment

Sensor Mount Type	Screw Mount
-------------------	-------------

Usage Conditions

Operating Temperature Range	-40 – 85 °C[-40 – 185 °F]
-----------------------------	---------------------------



Operation/Application

Output Current Type	DC
---------------------	----

Industry Standards

IP Rating	IP65
-----------	------

Other

Non-Linearity (FSO)	±1 %
---------------------	------

Acceleration Range (±)	2 g
------------------------	-----

Sensitivity	1000 mV/g
-------------	-----------

Product Compliance

[For compliance documentation, visit the product page on TE.com>](#)

EU RoHS Directive 2011/65/EU	Compliant with Exemptions
EU ELV Directive 2000/53/EC	Compliant with Exemptions
China RoHS 2 Directive MIIT Order No 32, 2016	Restricted Materials Above Threshold
EU REACH Regulation (EC) No. 1907/2006	Current ECHA Candidate List: JAN 2025 (247) Candidate List Declared Against: JUNE 2022 (224) Does not contain REACH SVHC
Halogen Content	Not Yet Reviewed for halogen content
Solder Process Capability	Not reviewed for solder process capability

Product Compliance Disclaimer

This information is provided based on reasonable inquiry of our suppliers and represents our current actual knowledge based on the information they provided. This information is subject to change. The part numbers that TE has identified as EU RoHS compliant have a maximum concentration of 0.1% by weight in homogenous materials for lead, hexavalent chromium, mercury, PBB, PBDE, DBP, BBP, DEHP, DIBP, and 0.01% for cadmium, or qualify for an exemption to these limits as defined in the Annexes of Directive 2011/65/EU (RoHS2). Finished electrical and electronic equipment products will be CE marked as required by Directive 2011/65/EU. Components may not be CE marked. Additionally, the part numbers that TE has identified as EU ELV compliant have a maximum concentration of 0.1% by weight in homogenous materials for lead, hexavalent chromium, and mercury, and 0.01% for cadmium, or qualify for an exemption to these limits as defined in the Annexes of Directive 2000/53/EC (ELV). Regarding the REACH Regulation, the information TE provides on SVHC in articles for this part number is based on the latest European Chemicals Agency (ECHA) 'Guidance on requirements for substances in articles' posted at this URL: <https://echa.europa.eu/guidance-documents/guidance-on-reach>

Also in the Series | [MEAS 4030](#)



MEMS Accelerometers(1)

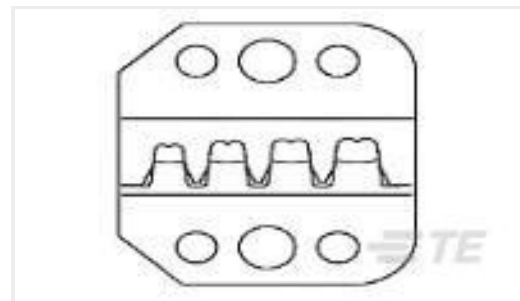


Vibration Sensors(1)

Customers Also Bought



TE Part #4-1437559-4
MTL406N=(MSTL) SW TOG LOCKING



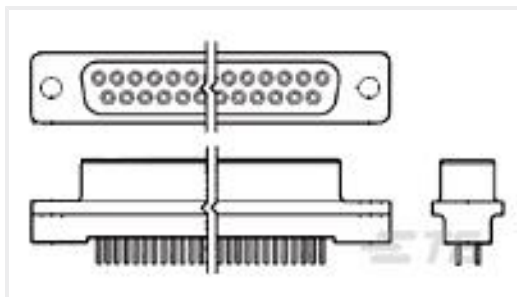
TE Part #58628-2
PROC RMP DIESET 26-14 ULTRAFAS



TE Part #420356-000
RMW-35/12-1200/ADH-0



TE Part #926209-5
LOCKING CLIP HSG.



TE Part #5207826-4
HD-20 RCPT 9P VERT



TE Part #3-1437559-9
MTL206P=(MSTL) SW TOG LOCKING



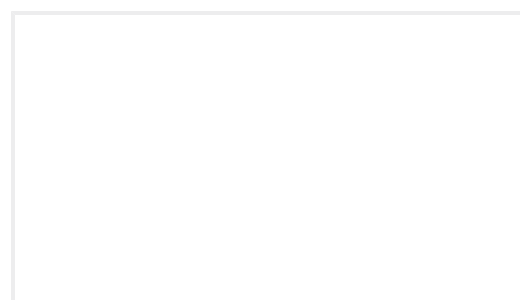
TE Part #1618387-3
LEV200A4ANA=RELAY, SPST-NO



TE Part #5053142077
RNF-100-3/8-0-STK



TE Part #321233
TERMINAL,PIDG SPD 16-14 8



TE Part #1520230-2
7402K4=20 AMP TOGGLE

Documents

[CAD Files](#)

[3D PDF](#)

[3D](#)

[Customer View Model](#)

[ENG_CVM_CVM_4030-002-120_B.2d_dxf.zip](#)

[English](#)

[Customer View Model](#)

[ENG_CVM_CVM_4030-002-120_B.3d_igs.zip](#)



English

Customer View Model

[ENG_CVM_CVM_4030-002-120_B.3d_stp.zip](#)

English

By downloading the CAD file I accept and agree to the [Terms and Conditions](#) of use.

Datasheets & Catalog Pages

[4020_4030_Accelerometer](#)

English