

368388-1 ✓ ACTIVE

MQS

TE Internal #: 368388-1

40 Position, Yellow, Retainer, PBT GF30, -40 – 120 °C [-40 – 248 °F]

[View on TE.com >](#)



Connectors > Automotive Connectors > Automotive Connector Accessories > Automotive Connector Locks & Position Assurance



Number of Positions: **40**

Primary Product Color: **Yellow**

Connector & Contact Retention Accessory Type: **Retainer**

Primary Product Material: **PBT GF30**

Operating Temperature Range: **-40 – 120 °C [-40 – 248 °F]**

## Features

### Product Type Features

Sealable	No
Connector & Contact Retention Accessory Type	Retainer

### Configuration Features

Number of Positions	40
---------------------	----

### Body Features

Primary Product Color	Yellow
Primary Product Material	PBT GF30

### Usage Conditions

Operating Temperature Range	-40 – 120 °C[-40 – 248 °F]
-----------------------------	----------------------------

### Industry Standards

UL Flammability Rating	UL 94HB
------------------------	---------

### Packaging Features

Packaging Method	Bag
Packaging Quantity	200

### Other

Serviceable	Yes
-------------	-----

## Product Compliance

[For compliance documentation, visit the product page on TE.com>](#)

EU RoHS Directive 2011/65/EU	Compliant
EU ELV Directive 2000/53/EC	Compliant
China RoHS 2 Directive MIIT Order No 32, 2016	No Restricted Materials Above Threshold
EU REACH Regulation (EC) No. 1907/2006	Current ECHA Candidate List: JAN 2025 (247) Candidate List Declared Against: JAN 2025 (247) Does not contain REACH SVHC
Halogen Content	Low Halogen - Br, Cl, F, I < 900 ppm per homogenous material. Also BFR/CFR/PVC Free
Solder Process Capability	Not applicable for solder process capability

#### Product Compliance Disclaimer

This information is provided based on reasonable inquiry of our suppliers and represents our current actual knowledge based on the information they provided. This information is subject to change. The part numbers that TE has identified as EU RoHS compliant have a maximum concentration of 0.1% by weight in homogenous materials for lead, hexavalent chromium, mercury, PBB, PBDE, DBP, BBP, DEHP, DIBP, and 0.01% for cadmium, or qualify for an exemption to these limits as defined in the Annexes of Directive 2011/65/EU (RoHS2). Finished electrical and electronic equipment products will be CE marked as required by Directive 2011/65/EU. Components may not be CE marked. Additionally, the part numbers that TE has identified as EU ELV compliant have a maximum concentration of 0.1% by weight in homogenous materials for lead, hexavalent chromium, and mercury, and 0.01% for cadmium, or qualify for an exemption to these limits as defined in the Annexes of Directive 2000/53/EC (ELV). Regarding the REACH Regulation, the information TE provides on SVHC in articles for this part number is based on the latest European Chemicals Agency (ECHA) 'Guidance on requirements for substances in articles' posted at this URL: <https://echa.europa.eu/guidance-documents/guidance-on-reach>

## Compatible Parts



## Customers Also Bought

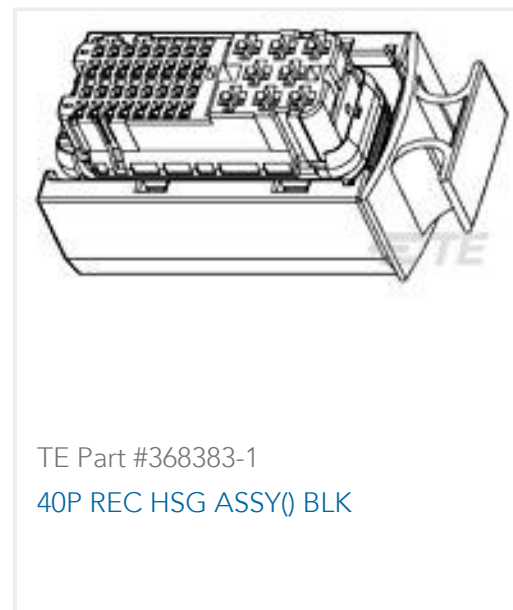




TE Part #964282-2  
JPT A REC 2.8 Contact SWS Sn



TE Part #2375551-1  
Wire Cover Mcon1.2 Connector 6Pos.



TE Part #368383-1  
40P REC HSG ASSY() BLK



TE Part #1473255-2  
LEVER ASSY TYPE-A NO SLIT TYPE  
40POS

## Documents

### Product Drawings

#### MQS RETAINER HSG FOR 40P

English

### CAD Files

#### Customer View Model

[ENG\\_CVM\\_368388-1\\_O.3d\\_igs.zip](#)

English

#### Customer View Model

[ENG\\_CVM\\_368388-1\\_O.3d\\_stp.zip](#)

English

#### Customer View Model

[ENG\\_CVM\\_368388-1\\_O.2d\\_dxf.zip](#)

English

### 3D PDF

English

By downloading the CAD file I accept and agree to the [Terms and Conditions](#) of use.

### Product Specifications

#### Product Specification

Japanese

#### MQS CLEAN BODY PLUG ASSY 81P & 40P

Japanese

#### Product Specification

Japanese

#### Product Specification

English

### Instruction Sheets

#### Instruction Sheet (non U.S.)

English

#### Instruction Sheet (non U.S.)

Japanese