

35559 ✓ ACTIVE



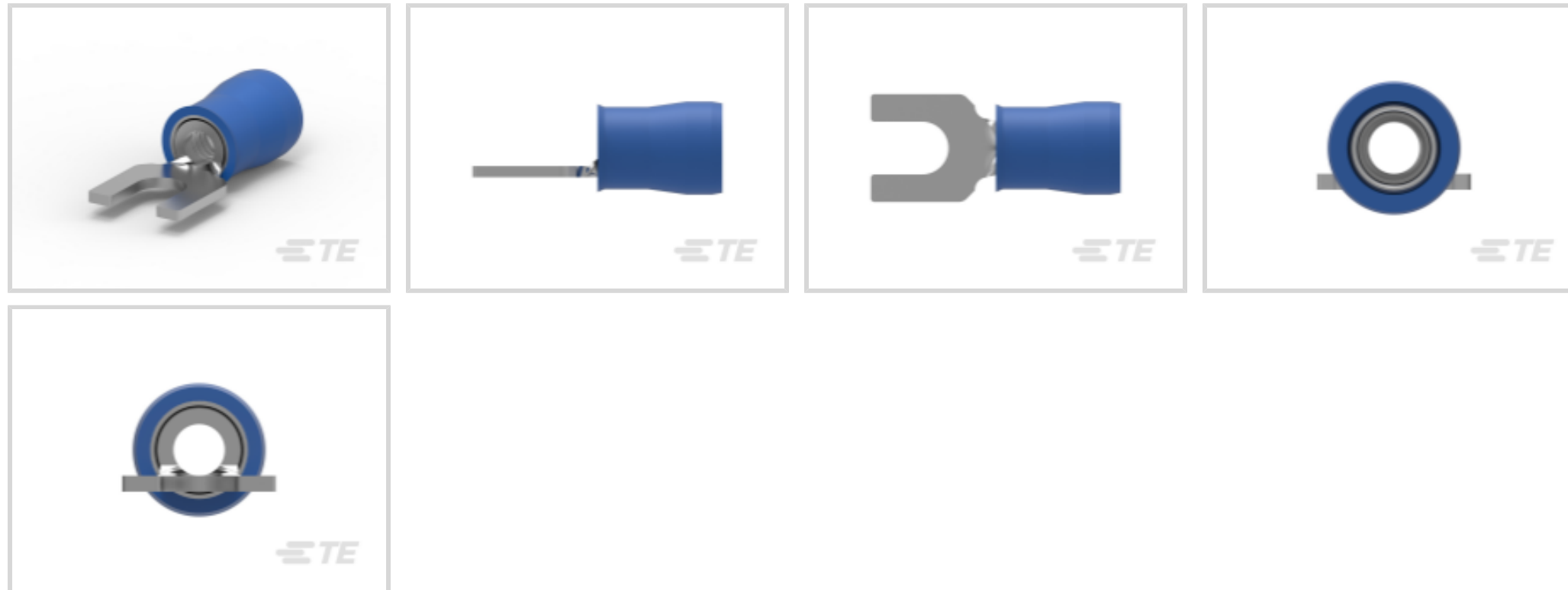
## PIDG

TE Internal #: 35559

Spade Tongue Terminal, 16 – 14 AWG, #6 / M3.5 Stud, 3.68 mm [.145 in] Stud Diameter, Closed Barrel, Straight, Tin Plating, Partially Insulated, PIDG

[View on TE.com >](#)

Terminals & Splices > Spade Terminals > PIDG Spade Tongue Terminals



Spade Terminal Type: **Spade Tongue Terminal**

Wire Size: **2050 – 5180 CMA**

Stud Size: **#6, M3.5**

[All PIDG Spade Tongue Terminals \(63\)](#)

## Features

### Product Type Features

Stud Size	#6, M3.5
Sealable	No
Wire Insulation Support Retention Type	Insulation Support

### Electrical Characteristics

Voltage Rating	300 V
----------------	-------

### Body Features

Product Weight	.91 g
----------------	-------

### Contact Features

Spade Terminal Type	Spade Tongue Terminal
Barrel Type	Closed
Terminal Orientation	Straight
Terminal Plating Material	Tin

### Mechanical Attachment



Wire Insulation Support	With
-------------------------	------

### Dimensions

Wire Size	2050 – 5180 CMA
Stud Diameter	3.68 mm [.145 in]
Tongue Thickness	.79 mm [.031 in]
Product Length	19.13 mm [.75 in]
Compatible Insulation Diameter (Max)	4.32 mm [.17 in]
Compatible Insulation Diameter Range	2.92 – 4.31 mm [.115 – .17 in]

### Usage Conditions

Insulation Option	Partially Insulated
-------------------	---------------------

### Operation/Application

Compatible With Wire Base Material	Copper
Compatible With Wire Plating Material	Tin

### Industry Standards

Government Qualified Terminal	No
-------------------------------	----

### Packaging Features

Packaging Quantity	1000
Packaging Method	Loose Piece

### Product Compliance

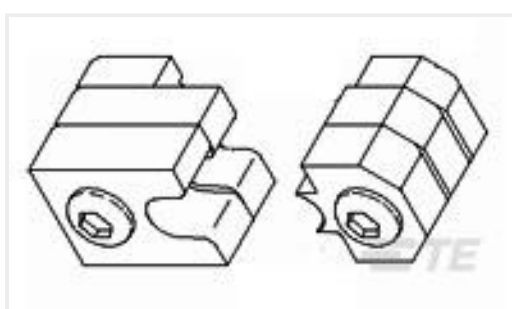
[For compliance documentation, visit the product page on TE.com>](#)

EU RoHS Directive 2011/65/EU	Compliant
EU ELV Directive 2000/53/EC	Compliant
China RoHS 2 Directive MIIT Order No 32, 2016	No Restricted Materials Above Threshold
EU REACH Regulation (EC) No. 1907/2006	Current ECHA Candidate List: JAN 2025 (247) Candidate List Declared Against: JAN 2025 (247) Does not contain REACH SVHC
Halogen Content	Low Halogen - Br, Cl, F, I < 900 ppm per homogenous material. Also BFR/CFR/PVC Free
Solder Process Capability	Not applicable for solder process capability

Product Compliance Disclaimer

This information is provided based on reasonable inquiry of our suppliers and represents our current actual knowledge based on the information they provided. This information is subject to change. The part numbers that TE has identified as EU RoHS compliant have a maximum concentration of 0.1% by weight in homogenous materials for lead, hexavalent chromium, mercury, PBB, PBDE, DBP, BBP, DEHP, DIBP, and 0.01% for cadmium, or qualify for an exemption to these limits as defined in the Annexes of Directive 2011/65/EU (RoHS2). Finished electrical and electronic equipment products will be CE marked as required by Directive 2011/65/EU. Components may not be CE marked. Additionally, the part numbers that TE has identified as EU ELV compliant have a maximum concentration of 0.1% by weight in homogenous materials for lead, hexavalent chromium, and mercury, and 0.01% for cadmium, or qualify for an exemption to these limits as defined in the Annexes of Directive 2000/53/EC (ELV). Regarding the REACH Regulation, the information TE provides on SVHC in articles for this part number is based on the latest European Chemicals Agency (ECHA) 'Guidance on requirements for substances in articles' posted at this URL: <https://echa.europa.eu/guidance-documents/guidance-on-reach>

## Compatible Parts



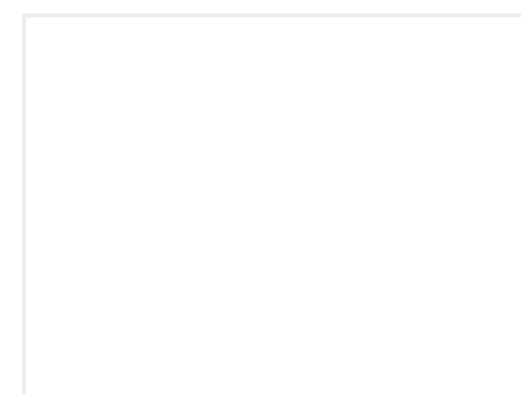
TE Part # 47807-1  
DIES PIDG 16-14 DIE SET



TE Part # 58423-1  
DIE, RBY IS9252



TE Part # 58433-3  
PRO CR ASSY, RBY IS9252



TE Part # 2392022-1  
BLUE BATTERY DAHT KIT 110V (47387-7)



TE Part # 539691-2  
ERGO DIE R.B.Y



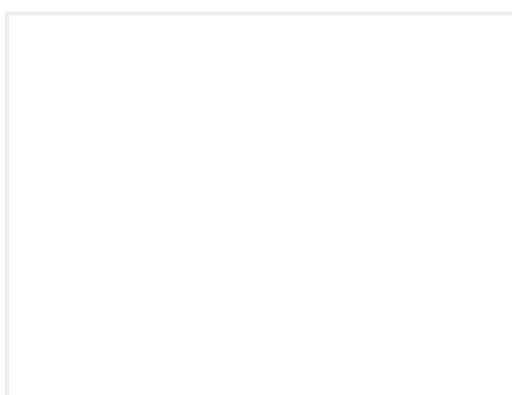
TE Part # 169404  
CERTI-LOK DIE



TE Part # 2063030-1  
SDE DIESET, RBY, UL



TE Part # 47387-7  
DAHT PG PIDG 16-12 ASSY



TE Part # 2392022-2  
BLUE BATTERY DAHT KIT 220V (47387-7)



TE Part # 169400  
CERTI-LOK FRAME W/O DIES



TE Part # 47387  
DAHT PG PIDG 20-14 ASSY



TE Part # 59250  
T-HEAD PIDG 26-14 ASSY



TE Part # 525691  
DAHT PG PIDG 16-14 ASSY



TE Part # 59824-1  
TETRA-CRIMP PIDG PG FASTON 22-10 ASSY

## Also in the Series | PIDG



Compression Connectors(17)



Crimp Wire Pins, Tabs &amp; Ferrules(41)



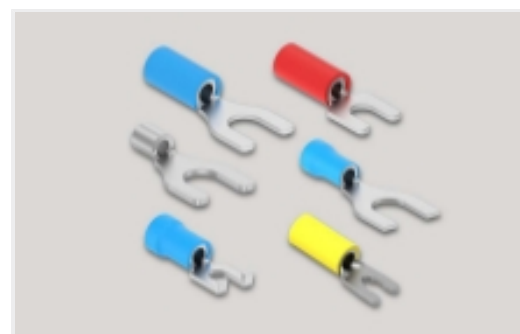
Knife Disconnects(11)



Quick Disconnects(38)



Ring Terminals(588)



Spade Terminals(228)



Special Purpose Terminals(1)



Splices(41)

## Customers Also Bought



TE Part #1-2823447-1  
M12 A-M-8 CRIMP ST ,CAT7 RADOX  
8.2MM,H&S



TE Part #208979-2  
CONV OUTLET ASSY (BLACK)



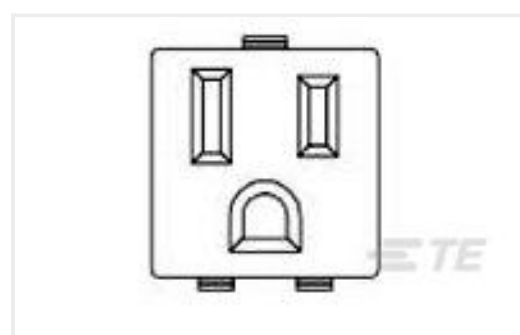
TE Part #5555979-1  
MJ,R/A,6P/4C,TRAY PACK



TE Part #324543  
TAB,PIDG 12-10



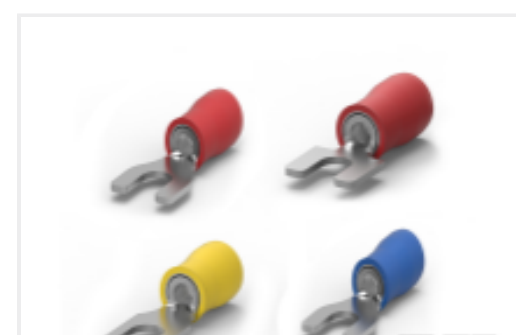
TE Part #323751  
DIAMOND GRIP 12-10 HT R 1/4



TE Part #208697-2  
CONV OUTLET ASSEMBLY (BLACK)



TE Part #2836996-1  
OCEAN\_2.0-APPLICATOR-S-  
070F0910-RSM



TE Part #CAT-P592-SP118  
PIDG Spade Tongue Terminals

## Documents

### Product Drawings

[TERMINAL,PIDG SPD 16-14 6](#)

English

### CAD Files

[Customer View Model](#)

[ENG\\_CVM\\_CVM\\_35559\\_N.2d\\_dxf.zip](#)



English

[3D PDF](#)

3D

Customer View Model

[ENG\\_CVM\\_CVM\\_35559\\_N.3d\\_igs.zip](#)

English

Customer View Model

[ENG\\_CVM\\_CVM\\_35559\\_N.3d\\_stp.zip](#)

English

By downloading the CAD file I accept and agree to the [Terms and Conditions](#) of use.

---

### Datasheets & Catalog Pages

[PIDG TERMINALS & SPLICES Quick Reference Guide](#)

English

---

### Instruction Sheets

[Instruction Sheet \(U.S.\)](#)

English

---

### Agency Approvals

[UL Report](#)

English

[UL Report](#)

English