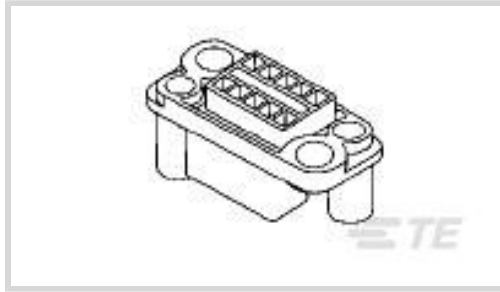




TE Internal #: 343348-1
 Housing, Receptacle, Wire-to-Board / Wire-to-Wire, UL 94V-0, 10
 Position, 3.7 mm [.148 in] Centerline, Rectangular Wire & Cable
 Connectors & Housings

[View on TE.com >](#)

Connectors > Rectangular Connectors > Standard Rectangular Connectors > Standard Drawer Receptacle Housings



Connector Product Type: **Housing**
 Connector & Housing Type: **Receptacle**
 Mating Retention: **Without**
 Connector System: **Wire-to-Board, Wire-to-Wire**
 UL Flammability Rating: **UL 94V-0**

[All Standard Drawer Receptacle Housings \(12\)](#)

Features

Product Type Features

| | |
|-----------------------------------|-----------------------------|
| Connector Product Type | Housing |
| Connector & Housing Type | Receptacle |
| Connector System | Wire-to-Board, Wire-to-Wire |
| Sealable | No |
| Connector & Contact Terminates To | Wire & Cable |

Configuration Features

| | |
|----------------------------|----|
| Number of Signal Positions | 10 |
| Number of Positions | 10 |
| Number of Rows | 2 |

Body Features

| | |
|-----------------------|-------|
| Primary Product Color | Black |
|-----------------------|-------|

Contact Features

| | |
|------------------------------|-----------------|
| Contact Base Material | Phosphor Bronze |
| Contact Type | Pin |
| Contact Current Rating (Max) | 4 A |

Mechanical Attachment

| | |
|------------------|---------|
| Mating Retention | Without |
|------------------|---------|



Connector Mounting Type

Panel Mount

Housing Features

Housing Material

PBT GF

Centerline (Pitch)

3.7 mm[.148 in]

Dimensions

Connector Width

20.35 mm

Row-to-Row Spacing

7.84 mm[.309 in]

Connector Height

18.5 mm[.728 in]

Wire Size

22 – 26 AWG

Connector Length

44 mm[1.732 in]

Usage Conditions

Operating Temperature Range

-10 – 80 °C[14 – 176 °F]

Operation/Application

Circuit Application

Power & Signal

Industry Standards

UL Flammability Rating

UL 94V-0

Packaging Features

Packaging Method

Box & Carton

Product Compliance

[For compliance documentation, visit the product page on TE.com>](#)

EU RoHS Directive 2011/65/EU

Compliant

EU ELV Directive 2000/53/EC

Compliant

China RoHS 2 Directive MIIT Order No 32, 2016

No Restricted Materials Above Threshold

EU REACH Regulation (EC) No. 1907/2006

Current ECHA Candidate List: JAN 2025 (247)
 Candidate List Declared Against: JAN 2025 (247)
 Does not contain REACH SVHC

Halogen Content

Not Low Halogen - contains Br or Cl > 900 ppm.

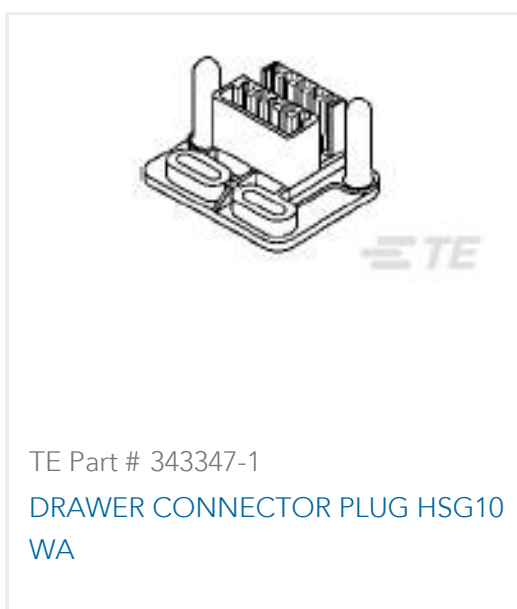
Solder Process Capability

Not applicable for solder process capability

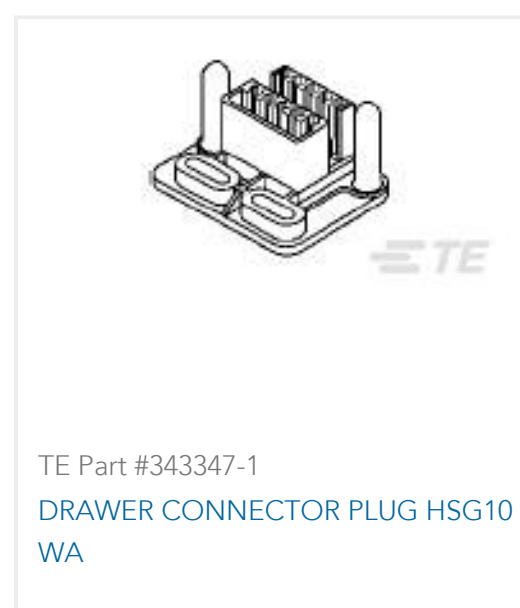
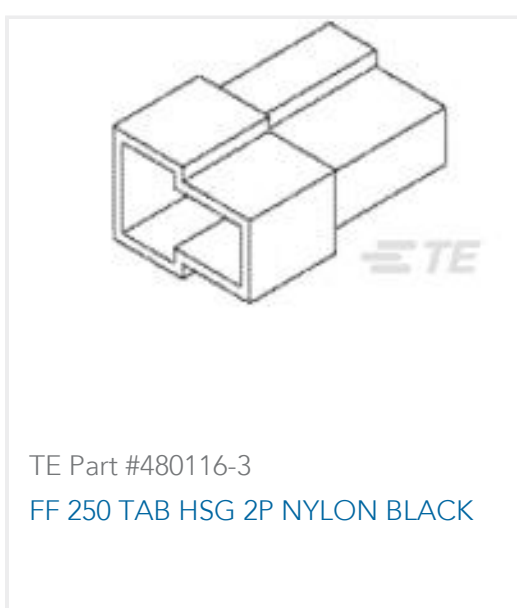
Product Compliance Disclaimer

This information is provided based on reasonable inquiry of our suppliers and represents our current actual knowledge based on the information they provided. This information is subject to change. The part numbers that TE has identified as EU RoHS compliant have a maximum concentration of 0.1% by weight in homogenous materials for lead, hexavalent chromium, mercury, PBB, PBDE, DBP, BBP, DEHP, DIBP, and 0.01% for cadmium, or qualify for an exemption to these limits as defined in the Annexes of Directive 2011/65/EU (RoHS2). Finished electrical and electronic equipment products will be CE marked as required by Directive 2011/65/EU. Components may not be CE marked. Additionally, the part numbers that TE has identified as EU ELV compliant have a maximum concentration of 0.1% by weight in homogenous materials for lead, hexavalent chromium, and mercury, and 0.01% for cadmium, or qualify for an exemption to these limits as defined in the Annexes of Directive 2000/53/EC (ELV). Regarding the REACH Regulation, the information TE provides on SVHC in articles for this part number is based on the latest European Chemicals Agency (ECHA) 'Guidance on requirements for substances in articles' posted at this URL: <https://echa.europa.eu/guidance-documents/guidance-on-reach>

Compatible Parts



Customers Also Bought





Documents

CAD Files

[3D PDF](#)

3D

Customer View Model

[ENG_CVM_CVM_343348-1_99_c-343348-1-99.2d_dxf.zip](#)

English

Customer View Model

[ENG_CVM_CVM_343348-1_99_c-343348-1-99.3d_igs.zip](#)

English

Customer View Model

[ENG_CVM_CVM_343348-1_99_c-343348-1-99.3d_stp.zip](#)

English

By downloading the CAD file I accept and agree to the [Terms and Conditions](#) of use.

Datasheets & Catalog Pages

[POWER_CONNECTORS_CATALOG_SEC02_CABLE_MOUNTED](#)

English

Product Specifications

[Application Specification](#)

English

[Application Specification](#)

Japanese

[AMP-LEAF Contact](#)

English

Agency Approvals

[Agency Approval Document](#)

English