

34119 ✓ ACTIVE

SOLISTRAND

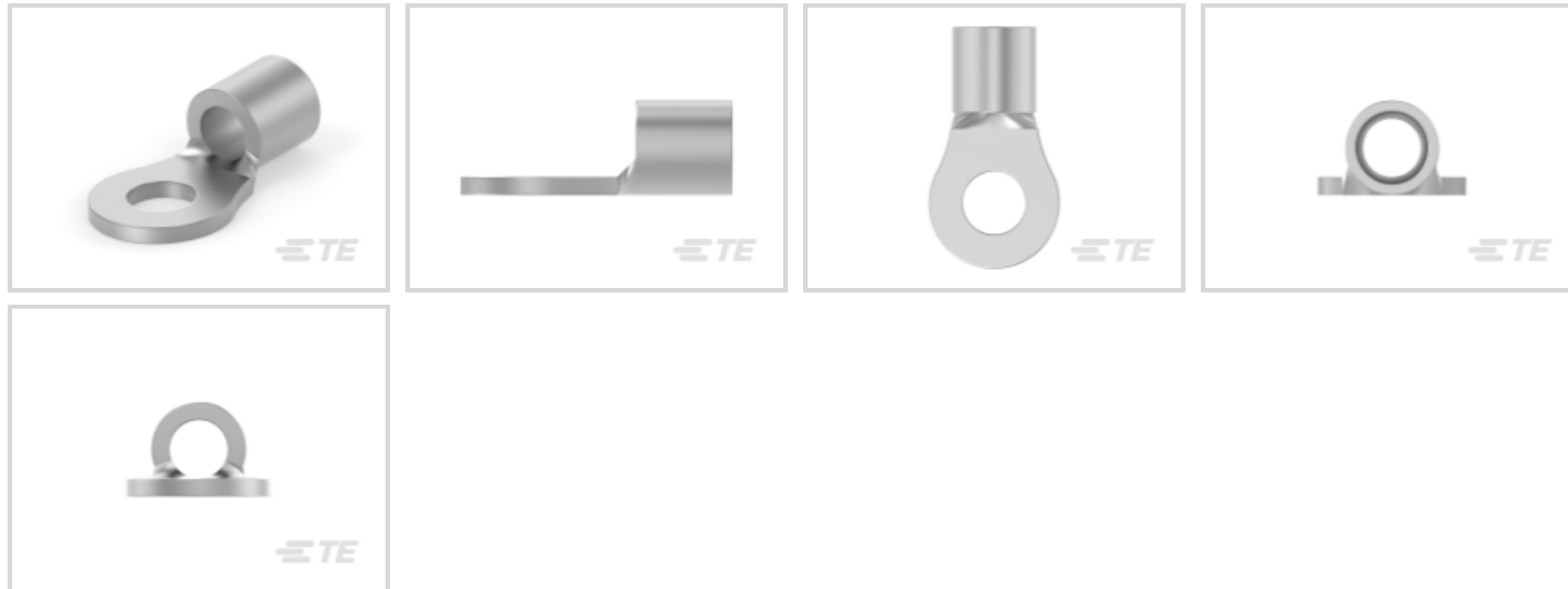
TE Internal #: 34119

Closed Ring Tongue Terminal, 16 AWG, #4 / M2.5 Stud, 2.84 mm [.112 in] Stud Diameter, Closed Barrel, Straight, Tin Plating, Uninsulated

[View on TE.com >](#)



Terminals & Splices > Ring Terminals



Ring Terminal Product Type: Closed Ring Tongue Terminal

Wire Size: 2050 – 5180 CMA

Stud Size: #4, M2.5

### Features

#### Product Type Features

Ring Terminal Product Type	Closed Ring Tongue Terminal
Stud Size	#4, M2.5
Sealable	No
Wire Insulation Support Retention Type	Non-Insulation Support

#### Configuration Features

Number of Holes	1
-----------------	---

#### Contact Features

Barrel Type	Closed
Terminal Orientation	Straight
Terminal Plating Material	Tin

#### Mechanical Attachment

Wire Insulation Support	Without
-------------------------	---------

#### Dimensions

Wire Size	2050 – 5180 CMA
Stud Diameter	2.84 mm [.112 in]

Tongue Thickness	.79 mm[.031 in]
Product Length	12.19 mm[.48 in]
Barrel Inside Diameter	2.16 mm[.085 in]

### Usage Conditions

Insulation Option	Uninsulated
-------------------	-------------

### Operation/Application

Compatible With Wire Base Material	Copper
Compatible With Wire Plating Material	Tin

### Industry Standards

Government Qualified Terminal	No
-------------------------------	----

### Packaging Features

Packaging Quantity	1000
Packaging Method	Loose Piece

## Product Compliance

[For compliance documentation, visit the product page on TE.com>](#)

EU RoHS Directive 2011/65/EU	Compliant
EU ELV Directive 2000/53/EC	Compliant
China RoHS 2 Directive MIIT Order No 32, 2016	No Restricted Materials Above Threshold
EU REACH Regulation (EC) No. 1907/2006	Current ECHA Candidate List: JAN 2025 (247) Candidate List Declared Against: JUNE 2024 (241) Does not contain REACH SVHC
Halogen Content	Low Halogen - Br, Cl, F, I < 900 ppm per homogenous material. Also BFR/CFR/PVC Free
Solder Process Capability	Not applicable for solder process capability

#### Product Compliance Disclaimer

This information is provided based on reasonable inquiry of our suppliers and represents our current actual knowledge based on the information they provided. This information is subject to change. The part numbers that TE has identified as EU RoHS compliant have a maximum concentration of 0.1% by weight in homogenous materials for lead, hexavalent chromium, mercury, PBB, PBDE, DBP, BBP, DEHP, DIBP, and 0.01% for cadmium, or qualify for an exemption to these limits as defined in the Annexes of Directive 2011/65/EU (RoHS2). Finished electrical and electronic equipment products will be CE marked as required by Directive 2011/65/EU. Components may not be CE marked. Additionally, the part numbers that TE has identified as EU ELV compliant have a maximum concentration of 0.1% by weight in homogenous materials for lead, hexavalent chromium, and mercury, and 0.01% for cadmium, or qualify for an exemption to these limits as defined in the Annexes of Directive 2000/53/EC (ELV). Regarding the REACH Regulation, the information TE provides on SVHC in articles for this part number is based on the latest European Chemicals Agency (ECHA) 'Guidance on

requirements for substances in articles' posted at this URL: <https://echa.europa.eu/guidance-documents/guidance-on-reach>

### Compatible Parts



TE Part # 525693  
DAHT SOLIS 22-10 ASSY



TE Part # 58545-3  
SDE DIE ASSY. 22-10 SOLISTRAND




TE Part # 58545-1  
SOLISTRAND 10-22 DIE ASSY



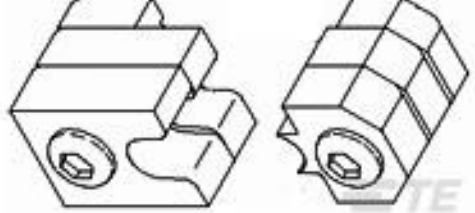
TE Part # 58546-1  
PC 22-10 SOLISSPICE SPL I SHT



TE Part # 169400  
CERTI-LOK FRAME W/O DIES



TE Part # 49935  
DAHT SOLIS 22-10 ASSY



TE Part # 47813  
DIES SOLIS 16-14 DIE SET


### Customers Also Bought



TE Part #3-647466-1  
SL156 HOODED CONTACT, LID LF



TE Part #794440-1  
MINI UMNL PIN SN 22-18 AWG



TE Part #POE-241  
POE,Inj,24V,19W



TE Part #3-644460-8  
08P MTA156 CONN ASSY 18AWG ORA



TE Part #770041-1  
12P UMNL II PLUG-FRONT 94VO



TE Part #66428-3  
III+ SKT,30-26,15AU/FL,LP



TE Part #CAT-C339-H85913  
Power Resistors: Aluminum Housed, HSA



TE Part #356611-1  
DIES POWERBAND CONT 8 AWG DIE SET



## Documents

### Product Drawings

[TERMINAL, SOLIS R 16-14 4](#)

English

### CAD Files

Customer View Model

[ENG\\_CVM\\_CVM\\_34119\\_S.2d\\_dxf.zip](#)

English

### 3D PDF

3D

Customer View Model

[ENG\\_CVM\\_CVM\\_34119\\_S.3d\\_igs.zip](#)

English

Customer View Model

[ENG\\_CVM\\_CVM\\_34119\\_S.3d\\_stp.zip](#)

English

By downloading the CAD file I accept and agree to the [Terms and Conditions](#) of use.

### Datasheets & Catalog Pages

[SOLISTRAND - QRG](#)

English

### Instruction Sheets

[Instruction Sheet \(U.S.\)](#)

English

### Agency Approvals

[UL](#)

English