

34104 ✓ ACTIVE

SOLISTRAND

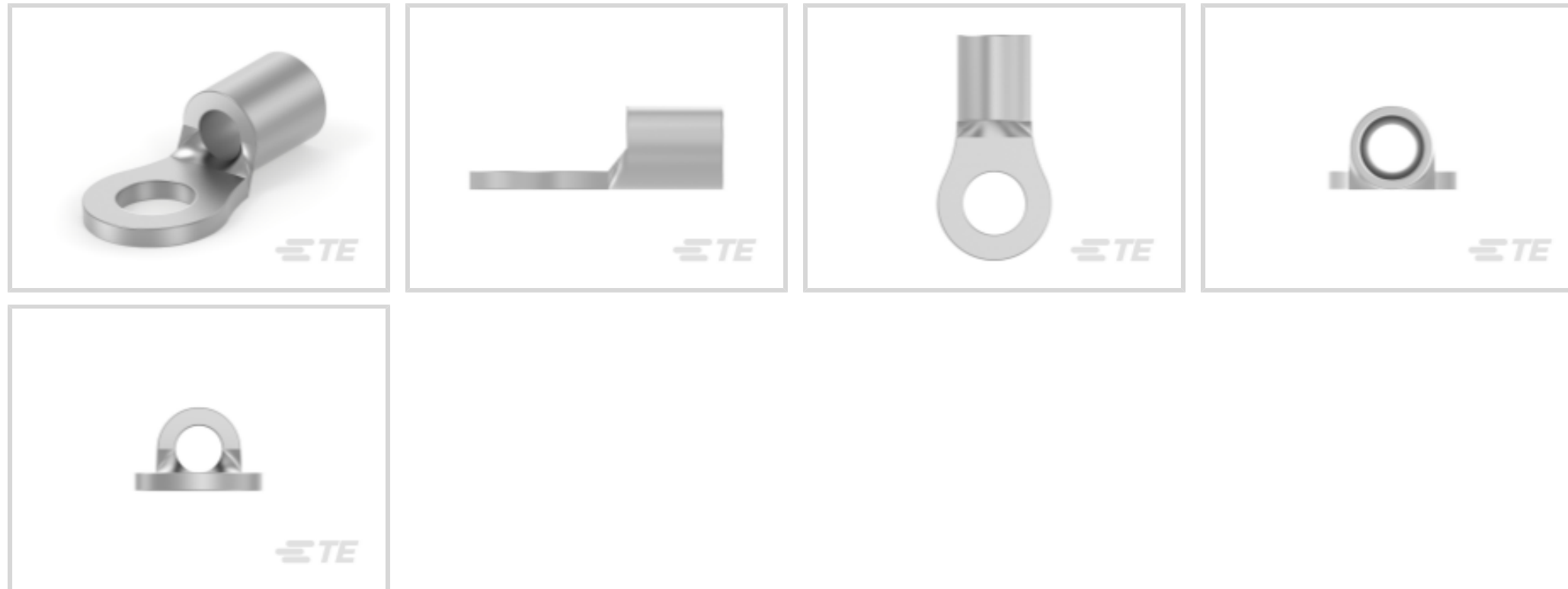
TE Internal #: 34104

Closed Ring Tongue Terminal, 22 AWG, #4 / M2.5 Stud, 3.02 mm [.119 in] Stud Diameter, Closed Barrel, Straight, Tin Plating, Uninsulated

[View on TE.com >](#)



Terminals & Splices > Ring Terminals



Ring Terminal Product Type: Closed Ring Tongue Terminal

Wire Size: 509 – 3260 CMA

Stud Size: #4, M2.5

Features

Product Type Features

Ring Terminal Product Type	Closed Ring Tongue Terminal
Stud Size	#4, M2.5
Sealable	No
Wire Insulation Support Retention Type	Non-Insulation Support

Configuration Features

Number of Holes	1
-----------------	---

Contact Features

Barrel Type	Closed
Terminal Orientation	Straight
Terminal Plating Material	Tin

Mechanical Attachment

Wire Insulation Support	Without
-------------------------	---------

Dimensions

Wire Size	509 – 3260 CMA
Stud Diameter	3.02 mm [.119 in]



Tongue Thickness	.79 mm[.031 in]
Product Length	11.4 mm[.449 in]
Barrel Inside Diameter	1.55 mm[.061 in]

Usage Conditions

Insulation Option	Uninsulated
-------------------	-------------

Operation/Application

Compatible With Wire Base Material	Copper
Compatible With Wire Plating Material	Tin

Industry Standards

Government Qualified Terminal	No
-------------------------------	----

Packaging Features

Packaging Quantity	1000
Packaging Method	Loose Piece

Product Compliance

[For compliance documentation, visit the product page on TE.com>](#)

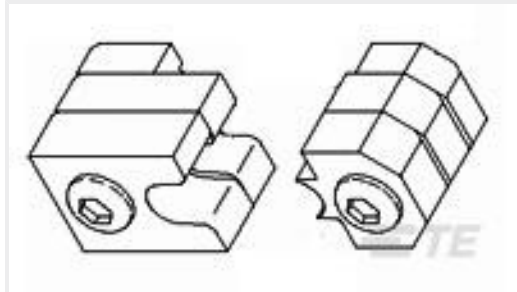
EU RoHS Directive 2011/65/EU	Compliant
EU ELV Directive 2000/53/EC	Compliant
China RoHS 2 Directive MIIT Order No 32, 2016	No Restricted Materials Above Threshold
EU REACH Regulation (EC) No. 1907/2006	Current ECHA Candidate List: JAN 2025 (247) Candidate List Declared Against: JUNE 2024 (241) Does not contain REACH SVHC
Halogen Content	Low Halogen - Br, Cl, F, I < 900 ppm per homogenous material. Also BFR/CFR/PVC Free
Solder Process Capability	Not applicable for solder process capability

Product Compliance Disclaimer

This information is provided based on reasonable inquiry of our suppliers and represents our current actual knowledge based on the information they provided. This information is subject to change. The part numbers that TE has identified as EU RoHS compliant have a maximum concentration of 0.1% by weight in homogenous materials for lead, hexavalent chromium, mercury, PBB, PBDE, DBP, BBP, DEHP, DIBP, and 0.01% for cadmium, or qualify for an exemption to these limits as defined in the Annexes of Directive 2011/65/EU (RoHS2). Finished electrical and electronic equipment products will be CE marked as required by Directive 2011/65/EU. Components may not be CE marked. Additionally, the part numbers that TE has identified as EU ELV compliant have a maximum concentration of 0.1% by weight in homogenous materials for lead, hexavalent chromium, and mercury, and 0.01% for cadmium, or qualify for an exemption to these limits as defined in the Annexes of Directive 2000/53/EC (ELV). Regarding the REACH Regulation, the information TE provides on SVHC in articles for this part number is based on the latest European Chemicals Agency (ECHA) 'Guidance on

requirements for substances in articles' posted at this URL: <https://echa.europa.eu/guidance-documents/guidance-on-reach>

Compatible Parts



TE Part # 47812
DIES SOLIS 22-16 DIE SET



TE Part # 49935
DAHT SOLIS 22-10 ASSY



TE Part # 58546-1
PC 22-10 SOLISSPICE SPL I SHT



TE Part # 169400
CERTI-LOK FRAME W/O DIES



TE Part # 525693
DAHT SOLIS 22-10 ASSY



TE Part # 58545-3
SDE DIE ASSY. 22-10 SOLISTRAND



TE Part # 58545-1
SOLISTRAND 10-22 DIE ASSY

Customers Also Bought



TE Part #ZPF00000000020103
FDBA 58H 8-3A-PN-K-A6061



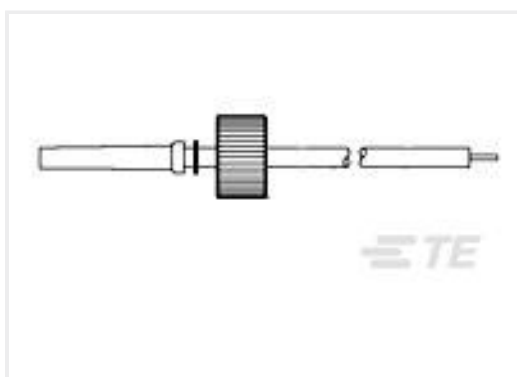
TE Part #207535-1
HSG,SINGLE POSN FREE HANGING



TE Part #2351449-4
UMINSA SW RLEV0.88N 3A/1.5A AC SC PCB



TE Part #928909-5
PL 250 REC TERMINAL 24-20 AWG PTPB



TE Part #869084-2
LGH-1 LEAD ELECT MLD END



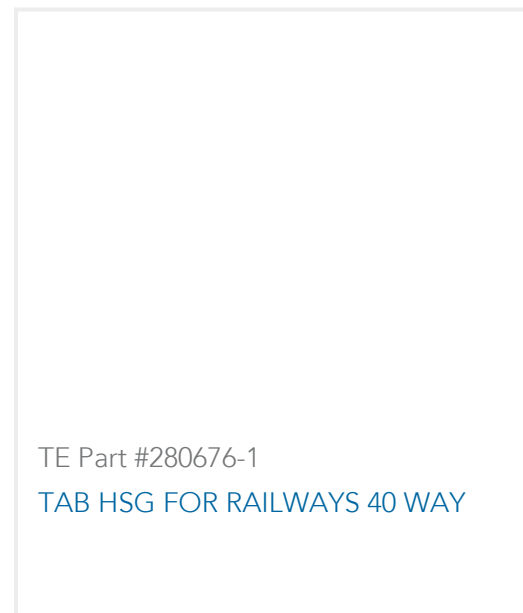
TE Part #1757823-6
AMPLIMITE,ASY,PLUG,STD,90,ZN,6



TE Part #4-644563-0
10P MTA100 CONN ASSY F/T 24AWG



TE Part #D369-P99-BS1
369 9 WAY PLUG, CRIMP, SKT



Documents

Product Drawings

[SOLIS R 22-16 COMM 22-18 MIL 4](#)

English

CAD Files

3D PDF

3D

Customer View Model

[ENG_CVM_CVM_34104_AY.2d_dxf.zip](#)

English

Customer View Model

[ENG_CVM_CVM_34104_AY.3d_igs.zip](#)

English

Customer View Model

[ENG_CVM_CVM_34104_AY.3d_stp.zip](#)

English

3D PDF

English

Customer View Model

[ENG_CVM_34104_M.2d_dxf.zip](#)

English

Customer View Model

[ENG_CVM_34104_M.3d_igs.zip](#)

English

Customer View Model

[ENG_CVM_34104_M.3d_stp.zip](#)

English

By downloading the CAD file I accept and agree to the [Terms and Conditions](#) of use.

Datasheets & Catalog Pages

[SOLISTRAND - QRG](#)

English

Instruction Sheets

[Instruction Sheet \(U.S.\)](#)

English



Agency Approvals

UL

English