

328730 ✓ ACTIVE

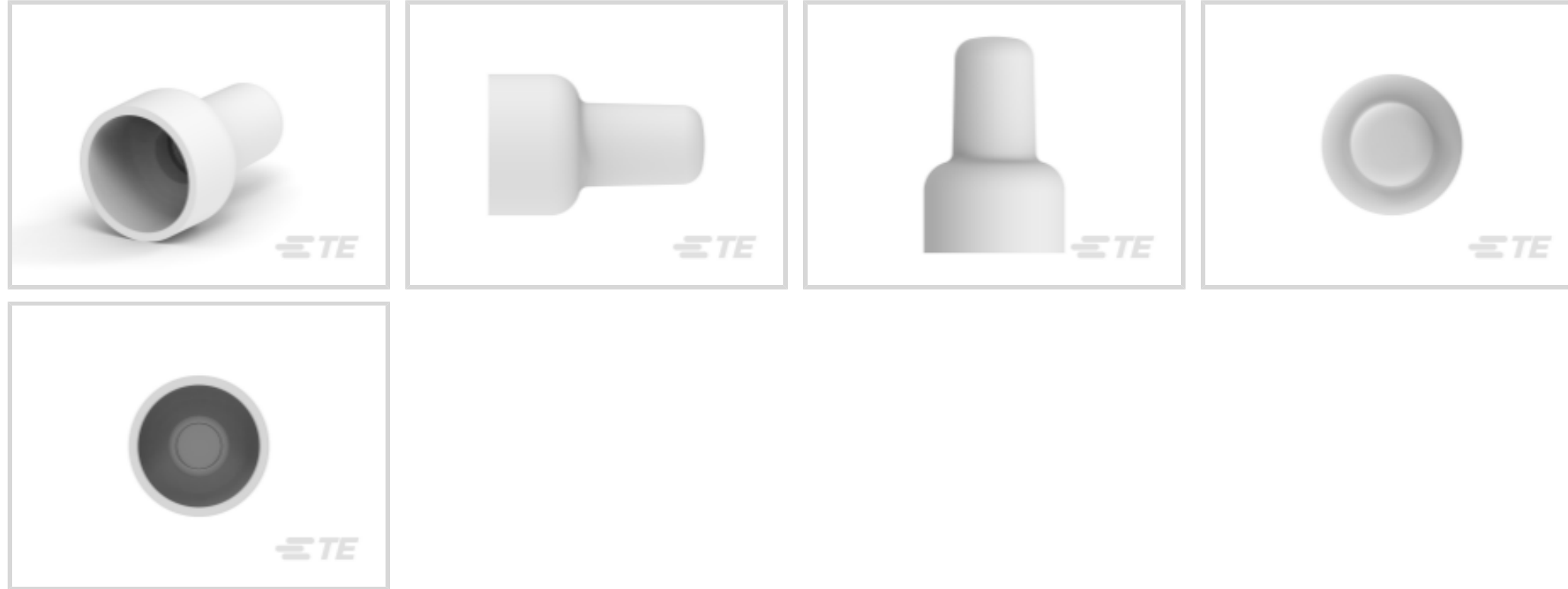
TE Internal #: 328730

Closed End Splice, 22 – 10 AWG, .3 – 6 mm² Wire, 3.248 – 13.1 kcmil, 3248 – 13100 CMA, Copper, 18.29 mm [.72 in] Length, Loose Piece, Closed Barrel

[View on TE.com >](#)



Terminals & Splices > Splices



Splice Type: **Closed End Splice**

Wire Size: **.3 – 6 mm²**

Sealable: **No**

Compatible Insulation Diameter Range: **9.53 mm [.375 in]**

Features

Product Type Features

Splice Accessory Type	Splice
Splice Type	Closed End Splice
Sealable	No
Compatible With Discrete Wire Type	Solid, Stranded
Wire Insulation Support Retention Type	Insulation Support

Configuration Features

Compatible With Wire & Cable Type	Discrete Wire
-----------------------------------	---------------

Electrical Characteristics

Operating Voltage	600 V
-------------------	-------

Body Features

Insulation Material	Nylon
---------------------	-------

Contact Features

Terminal Plating Material	Tin
Contact Base Material	Copper
Barrel Type	Closed

Mechanical Attachment

Wire Insulation Support	With
-------------------------	------

Dimensions

Outside Diameter	11.58 mm[.456 in]
Wire Size	3.248 – 13.1 kcmil
Compatible Insulation Diameter Range	9.53 mm[.375 in]
Barrel Inside Diameter	3.68 mm[.145 in]
Terminal Material Thickness	.55 mm[.022 in]
Product Length	18.29 mm[.72 in]

Usage Conditions

Insulation Option	Fully Insulated
-------------------	-----------------

Operation/Application

Compatible With Wire Base Material	Copper
------------------------------------	--------

Identification Marking

Splice Marking	EC
----------------	----

Industry Standards

Government Qualified Splice	No
-----------------------------	----

Packaging Features

Packaging Quantity	2000
Packaging Method	Loose Piece

Product Compliance

[For compliance documentation, visit the product page on TE.com>](#)

EU RoHS Directive 2011/65/EU	Compliant
EU ELV Directive 2000/53/EC	Compliant
China RoHS 2 Directive MIIT Order No 32, 2016	No Restricted Materials Above Threshold
EU REACH Regulation (EC) No. 1907/2006	Current ECHA Candidate List: JAN 2025 (247) Candidate List Declared Against: JAN 2025 (247) Does not contain REACH SVHC
Halogen Content	Low Halogen - Br, Cl, F, I < 900 ppm per homogenous material. Also BFR/CFR/PVC Free

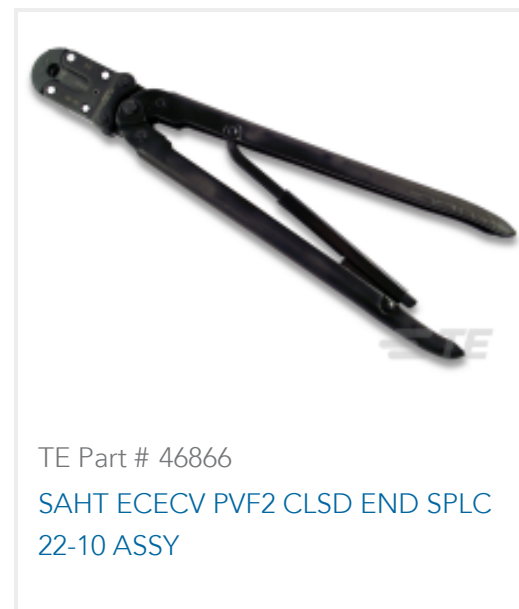
Solder Process Capability

Not applicable for solder process capability

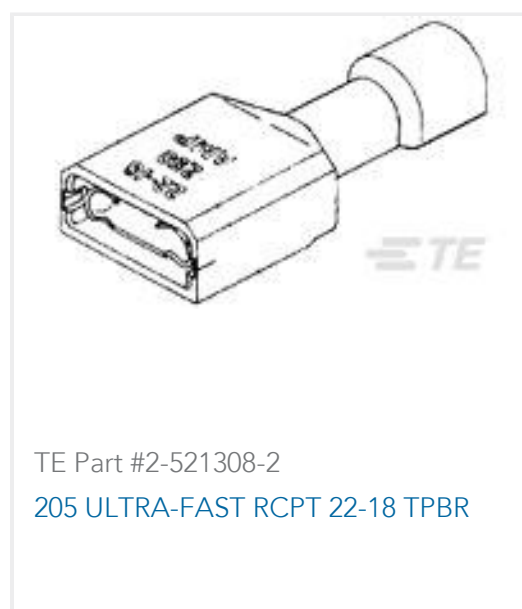
Product Compliance Disclaimer

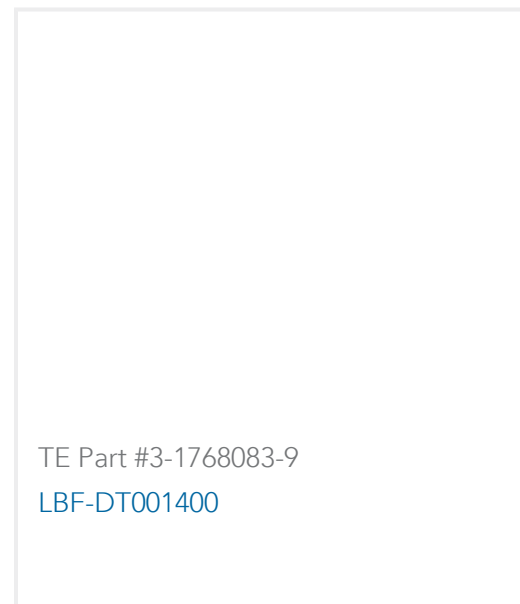
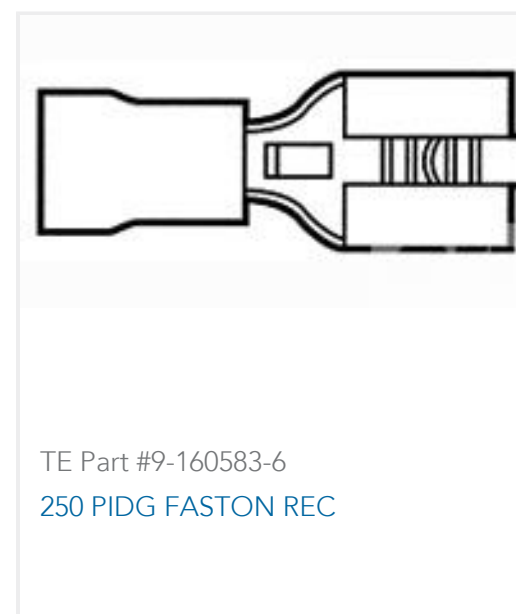
This information is provided based on reasonable inquiry of our suppliers and represents our current actual knowledge based on the information they provided. This information is subject to change. The part numbers that TE has identified as EU RoHS compliant have a maximum concentration of 0.1% by weight in homogenous materials for lead, hexavalent chromium, mercury, PBB, PBDE, DBP, BBP, DEHP, DIBP, and 0.01% for cadmium, or qualify for an exemption to these limits as defined in the Annexes of Directive 2011/65/EU (RoHS2). Finished electrical and electronic equipment products will be CE marked as required by Directive 2011/65/EU. Components may not be CE marked. Additionally, the part numbers that TE has identified as EU ELV compliant have a maximum concentration of 0.1% by weight in homogenous materials for lead, hexavalent chromium, and mercury, and 0.01% for cadmium, or qualify for an exemption to these limits as defined in the Annexes of Directive 2000/53/EC (ELV). Regarding the REACH Regulation, the information TE provides on SVHC in articles for this part number is based on the latest European Chemicals Agency (ECHA) 'Guidance on requirements for substances in articles' posted at this URL: <https://echa.europa.eu/guidance-documents/guidance-on-reach>

Compatible Parts



Customers Also Bought





Documents

Product Drawings

[SPLICE,N CE 22-10](#)

English

CAD Files

[3D PDF](#)

3D

Customer View Model

[ENG_CVM_CVM_328730_AG.2d_dxf.zip](#)

English

Customer View Model

[ENG_CVM_CVM_328730_AG.3d_igs.zip](#)

English

Customer View Model

[ENG_CVM_CVM_328730_AG.3d_stp.zip](#)

English

[3D PDF](#)

English

Customer View Model

[ENG_CVM_328730_AD.2d_dxf.zip](#)

English

Customer View Model

[ENG_CVM_328730_AD.3d_igs.zip](#)

English

Customer View Model

[ENG_CVM_328730_AD.3d_stp.zip](#)

English



By downloading the CAD file I accept and agree to the [Terms and Conditions](#) of use.

Product Specifications

Application Specification

English

Instruction Sheets

Instruction Sheet (U.S.)

English

Agency Approvals

Agency Approval Document

English