

321499 ✓ ACTIVE

SOLISTRAND

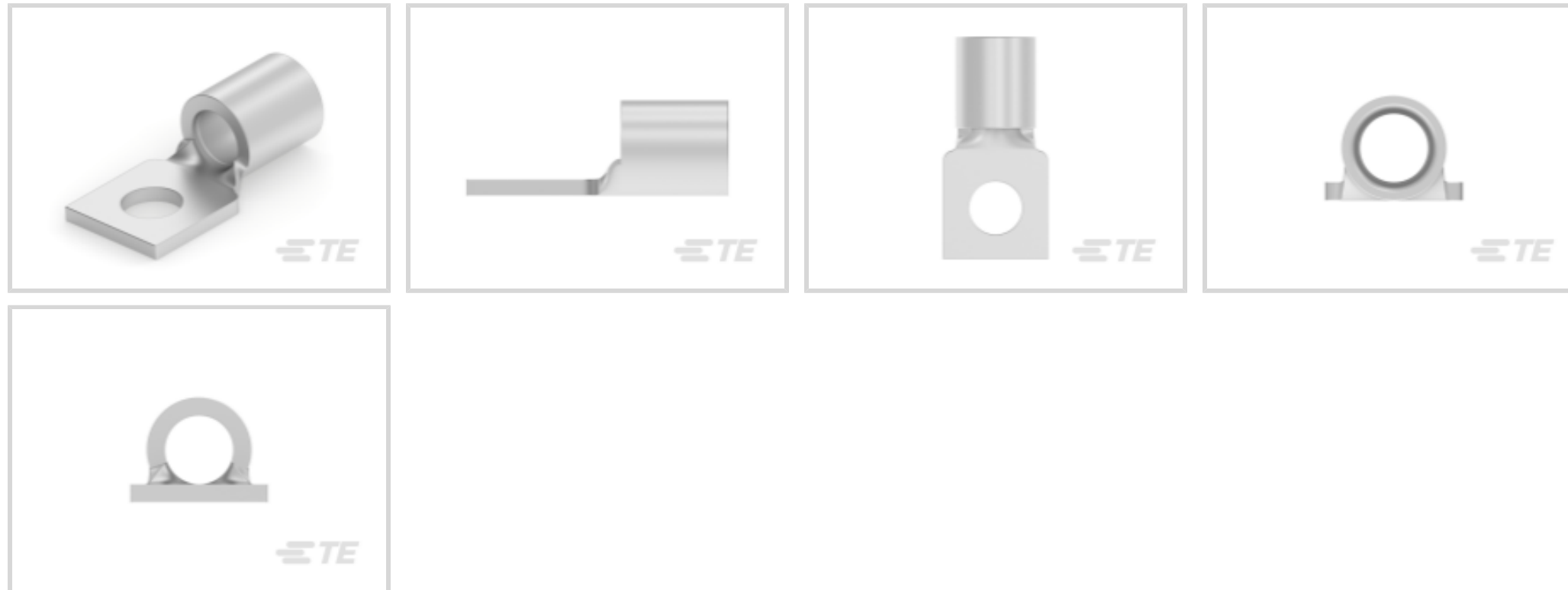
TE Internal #: 321499

Rectangular Tongue Terminal, 12 – 10 AWG, #6 / M3.5 Stud, 3.68 mm [.145 in] Stud Diameter, Closed Barrel, Straight, Tin Plating, Uninsulated

[View on TE.com >](#)



Terminals & Splices > Spade Terminals



Spade Terminal Type: **Rectangular Tongue Terminal**

Wire Size: **5180 – 13100 CMA**

Stud Size: **#6, M3.5**

**Features**

**Product Type Features**

Stud Size	#6, M3.5
Sealable	No
Wire Insulation Support Retention Type	Non-Insulation Support

**Configuration Features**

Number of Holes	1
-----------------	---

**Body Features**

Product Weight	1.573 g
----------------	---------

**Contact Features**

Spade Terminal Type	Rectangular Tongue Terminal
Barrel Type	Closed
Terminal Orientation	Straight
Terminal Plating Material	Tin

**Mechanical Attachment**

Wire Insulation Support	Without
-------------------------	---------

**Dimensions**



Wire Size	5180 – 13100 CMA
Stud Diameter	3.68 mm [.145 in]
Tongue Thickness	.79 mm [.031 in]
Product Length	16.03 mm [.63 in]
Barrel Inside Diameter	3.28 mm [.129 in]

### Usage Conditions

Insulation Option	Uninsulated
-------------------	-------------

### Operation/Application

Compatible With Wire Base Material	Copper
Compatible With Wire Plating Material	Tin

### Industry Standards

Government Qualified Terminal	No
-------------------------------	----

### Packaging Features

Packaging Quantity	500
Packaging Method	Loose Piece

### Product Compliance

[For compliance documentation, visit the product page on TE.com>](#)

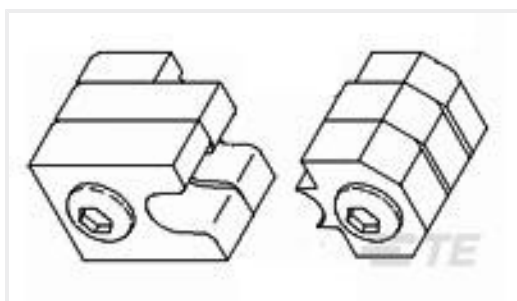
EU RoHS Directive 2011/65/EU	Compliant
EU ELV Directive 2000/53/EC	Compliant
China RoHS 2 Directive MIIT Order No 32, 2016	No Restricted Materials Above Threshold
EU REACH Regulation (EC) No. 1907/2006	Current ECHA Candidate List: JAN 2025 (247) Candidate List Declared Against: JUNE 2024 (241) Does not contain REACH SVHC
Halogen Content	Low Halogen - Br, Cl, F, I < 900 ppm per homogenous material. Also BFR/CFR/PVC Free
Solder Process Capability	Not applicable for solder process capability

#### Product Compliance Disclaimer

This information is provided based on reasonable inquiry of our suppliers and represents our current actual knowledge based on the information they provided. This information is subject to change. The part numbers that TE has identified as EU RoHS compliant have a maximum concentration of 0.1% by weight in homogenous materials for lead, hexavalent chromium, mercury, PBB, PBDE, DBP, BBP, DEHP, DIBP, and 0.01% for cadmium, or qualify for an exemption to these limits as defined in the Annexes of Directive 2011/65/EU (RoHS2). Finished electrical and electronic equipment products will be CE marked as required by Directive 2011/65/EU. Components may not be CE marked. Additionally, the part

numbers that TE has identified as EU ELV compliant have a maximum concentration of 0.1% by weight in homogenous materials for lead, hexavalent chromium, and mercury, and 0.01% for cadmium, or qualify for an exemption to these limits as defined in the Annexes of Directive 2000/53/EC (ELV). Regarding the REACH Regulation, the information TE provides on SVHC in articles for this part number is based on the latest European Chemicals Agency (ECHA) 'Guidance on requirements for substances in articles' posted at this URL: <https://echa.europa.eu/guidance-documents/guidance-on-reach>

## Compatible Parts



TE Part # 47814  
DIES SOLIS 12-10 DIE SET



TE Part # 49935  
DAHT SOLIS 22-10 ASSY



TE Part # 58545-1  
SOLISTRAND 10-22 DIE ASSY



TE Part # 169400  
CERTI-LOK FRAME W/O DIES

## Customers Also Bought



TE Part #3-1879216-3  
CPF0402 160K 0.1% 25PPM 1K RL



TE Part #1-2176369-0  
RQ 0603 49R9 0.1% 10PPM 5K RL



TE Part #8-1437621-6  
KFS400B1/8=KNOB ALUM BLACK ANO



TE Part #8-2176371-3  
RQ 0603 33K2 0.1% 10PPM 5K RL



TE Part #1-2176280-8  
CPF 0402 162K 0.1% 25PPM 1K RL



TE Part #325148  
PIDG RECT 22-16COMM 22-18MIL 2



TE Part #622000-000  
D-144-00



TE Part #6325250001  
TMS-SCE-1/2-2.0-4



TE Part #4-2176455-3  
CPF 0402 301K 0.1% 25ppm 1K RL



TE Part #4-2176455-4  
CPF 0402 309K 0.1% 25ppm 1K RL

## Documents

### Product Drawings



**TERMINAL,SOLIS RECT 12-10 6**

English

---

**CAD Files**

**3D PDF**

3D

Customer View Model

[ENG\\_CVM\\_CVM\\_321499\\_F.2d\\_dxf.zip](#)

English

Customer View Model

[ENG\\_CVM\\_CVM\\_321499\\_F.3d\\_igs.zip](#)

English

Customer View Model

[ENG\\_CVM\\_CVM\\_321499\\_F.3d\\_stp.zip](#)

English

By downloading the CAD file I accept and agree to the [Terms and Conditions](#) of use.

---

**Instruction Sheets**

**Instruction Sheet (U.S.)**

English

---

**Agency Approvals**

**UL Report**

English