

3-350819-2 ✓ ACTIVE

Ultra-Fast | Ultra-Fast 250

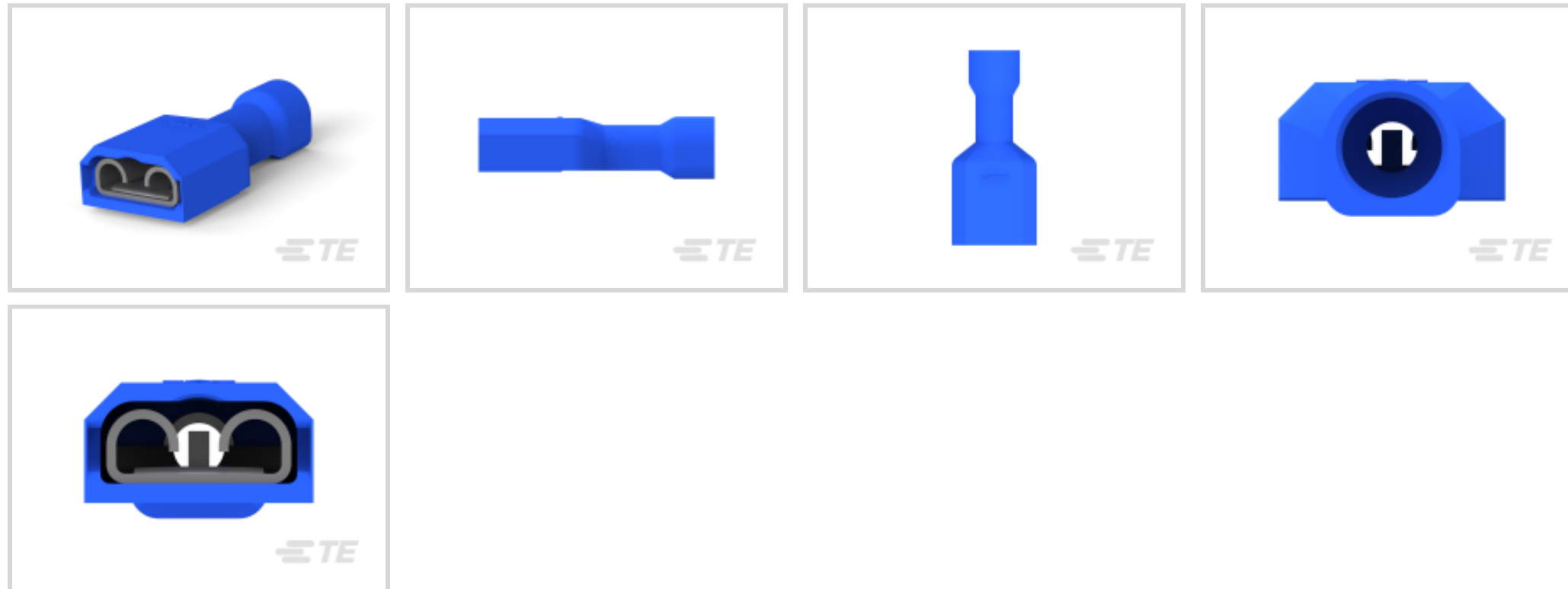
TE Internal #: 3-350819-2

Quick Disconnect Receptacle, 16 – 14 AWG, 1.31 – 2.08 mm<sup>2</sup> Wire, 6.35 mm [.25 in] Tab Width, Straight, Brass, Tin Plating, Strip/Reel, Ultra-Fast 250

[View on TE.com >](#)



Terminals & Splices > Quick Disconnects



Quick Disconnect Terminal Type: **Receptacle**

Wire Size: 1.31 – 2.08 mm<sup>2</sup>

Mating Tab Width: 6.35 mm [.25 in]

Mating Tab Thickness: .81 mm [.032 in]

## Features

### Product Type Features

Terminal Features	Wire Stop
Insertion Force	Normal

### Configuration Features

Compatible With Wire & Cable Type	Discrete Wire
Connection Capacity	Single

### Electrical Characteristics

Voltage Rating	600 V
----------------	-------

### Body Features

Insulation Material	Nylon
---------------------	-------

### Contact Features

Quick Disconnect Terminal Type	Receptacle
Mating Tab Width	6.35 mm [.25 in]
Mating Tab Thickness	.81 mm [.032 in]
Terminal Orientation	Straight



Contact Base Material	Brass
Terminal Plating Material	Tin
Crimp Type	F-Crimp
Barrel Type	Closed

### Termination Features

Product Terminates To	Wire & Cable
-----------------------	--------------

### Mechanical Attachment

Wire Insulation Support	With
Mating Retention Type	Dimple

### Dimensions

Product Length	21.75 mm[.855 in]
Compatible Insulation Diameter Range	4.06 mm[.16 in]
Terminal Material Thickness	.41 mm[.016 in]
Wire Size	1.31 – 2.08 mm <sup>2</sup>

### Usage Conditions

Insulation Option	Fully Insulated
Operating Temperature Range	-40 – 110 °C[-40 – 230 °F]

### Industry Standards

Compatible With Agency/Standards Products	UL
UL Flammability Rating	UL 94V-2

### Packaging Features

Packaging Quantity	2200
Packaging Method	Strip/Reel

### Other

Barrel Color	Blue
--------------	------

## Product Compliance

[For compliance documentation, visit the product page on TE.com>](#)

EU RoHS Directive 2011/65/EU	Compliant
EU ELV Directive 2000/53/EC	Compliant
China RoHS 2 Directive MIIT Order No 32, 2016	No Restricted Materials Above Threshold
EU REACH Regulation (EC) No. 1907/2006	



Current ECHA Candidate List: JAN 2025  
(247)  
Candidate List Declared Against: JAN 2025  
(247)  
Does not contain REACH SVHC

Halogen Content

Low Halogen - Br, Cl, F, I < 900 ppm per homogenous material. Also BFR/CFR/PVC Free

Solder Process Capability

Not applicable for solder process capability

Product Compliance Disclaimer

This information is provided based on reasonable inquiry of our suppliers and represents our current actual knowledge based on the information they provided. This information is subject to change. The part numbers that TE has identified as EU RoHS compliant have a maximum concentration of 0.1% by weight in homogenous materials for lead, hexavalent chromium, mercury, PBB, PBDE, DBP, BBP, DEHP, DIBP, and 0.01% for cadmium, or qualify for an exemption to these limits as defined in the Annexes of Directive 2011/65/EU (RoHS2). Finished electrical and electronic equipment products will be CE marked as required by Directive 2011/65/EU. Components may not be CE marked. Additionally, the part numbers that TE has identified as EU ELV compliant have a maximum concentration of 0.1% by weight in homogenous materials for lead, hexavalent chromium, and mercury, and 0.01% for cadmium, or qualify for an exemption to these limits as defined in the Annexes of Directive 2000/53/EC (ELV). Regarding the REACH Regulation, the information TE provides on SVHC in articles for this part number is based on the latest European Chemicals Agency (ECHA) 'Guidance on requirements for substances in articles' posted at this URL: <https://echa.europa.eu/guidance-documents/guidance-on-reach>

Compatible Parts

**KIT**  
REPRESENTATION ONLY

TE Part # 7-2151032-7  
OCEAN\_2.0\_SPARE\_PART\_KIT-205D

TE Part # 58078-3  
TETRA CRIMP FRAME W/O DIES

TE Part # 90391-3  
DIES ULTRA-FAST FASTON 16-14 DIE SET

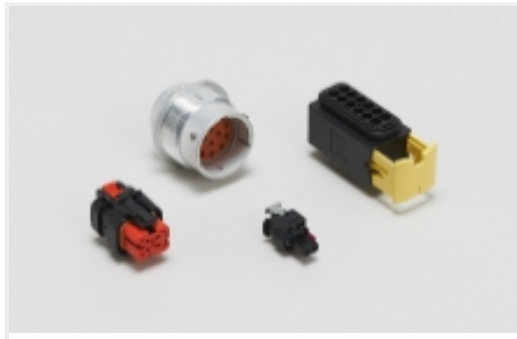
TE Part # 2151032-2  
OCEAN\_2.0\_APPLICATOR-S-205D-SSA

TE Part # 58628-2  
PROCRIMP DIESET 26-14 ULTRAFast

TE Part # 2305570-1  
Strip Terminal Cutter-Side Feed-No Crimp

TE Part # 58628-1  
PROCRIMP T&D 26-14 ULTRAFast

Also in the Series | **Ultra-Fast 250**



Automotive Housings(3)

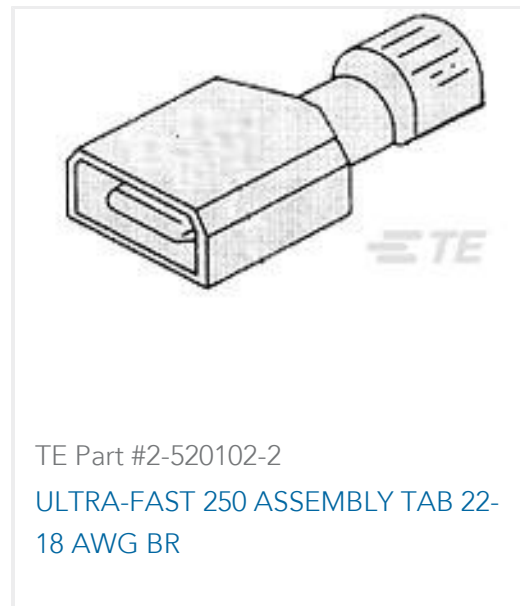


Quick Disconnects(49)

## Customers Also Bought



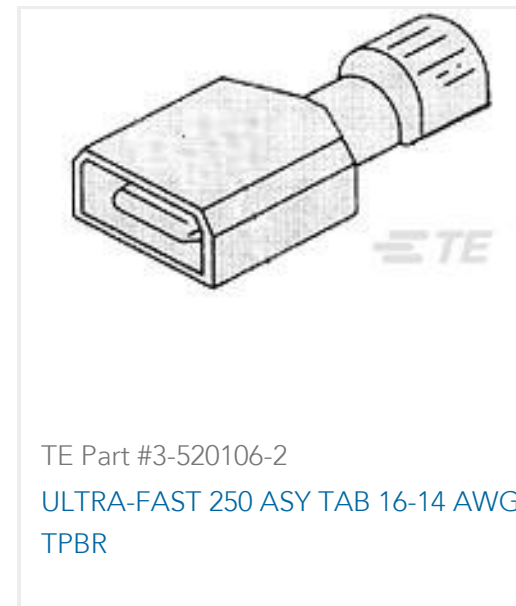
TE Part #2-520128-2  
ULTRA-FAST 250 ASY REC 22-18 AWG  
TPBR



TE Part #2-520102-2  
ULTRA-FAST 250 ASSEMBLY TAB 22-  
18 AWG BR



TE Part #42660-1  
250 FASTON REC 18-14 AWG BR



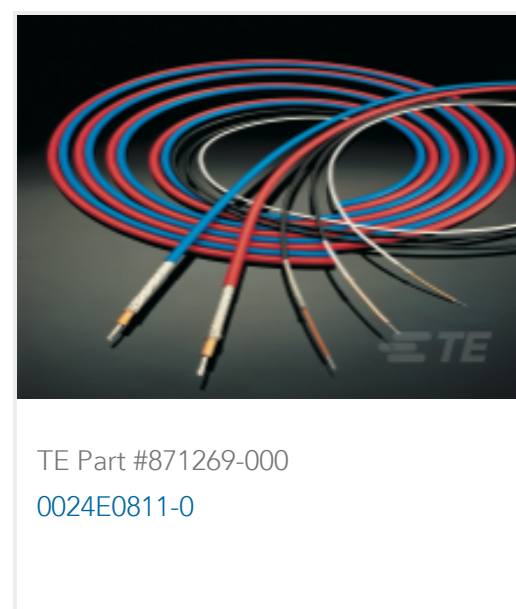
TE Part #3-520106-2  
ULTRA-FAST 250 ASY TAB 16-14 AWG  
TPBR



TE Part #3-520132-2  
ULTRAFast 250 ASSY FLAG REC 16-  
14 TPBR



TE Part #62134-2  
CONTACT 18-14 AWG NPSTL



TE Part #871269-000  
0024E0811-0



TE Part #3-179694-0  
2MM CT MT REC ASSY 10P GRAY



TE Part #3-520140-2  
ULTRA-FAST 250 ASY REC 16-14 AWG  
TPBR



TE Part #40629  
EYELET CROWN CRIMP 18-14 AWG  
BR

## Documents

### Product Drawings

[ULTRA-FAST 250 ASY REC 16-14 AWG TPBR](#)

English

### CAD Files

[3D PDF](#)

[3D](#)

[Customer View Model](#)

[ENG\\_CVM\\_CVM\\_3-350819-2\\_AB.2d\\_dxf.zip](#)



English

**Customer View Model**

[ENG\\_CVM\\_CVM\\_3-350819-2\\_AB.3d\\_igs.zip](#)

English

**Customer View Model**

[ENG\\_CVM\\_CVM\\_3-350819-2\\_AB.3d\\_stp.zip](#)

English

By downloading the CAD file I accept and agree to the [Terms and Conditions](#) of use.

---

**Datasheets & Catalog Pages**

[Ultra-Fast and Ultra Fast Plus](#)

English

---

**Product Specifications**

[Application Specification](#)

English

[Application Specification](#)

English

---

**Agency Approvals**

[Agency Approval Document](#)

English