

3-2158000-5 ✓ ACTIVE

SCHRACK | SCHRACK Power PCB Relay RZ

TE Internal #: 3-2158000-5

General Purpose Power Relay, DC, Monostable, 1 Form A SPST-NO, 12 A Contact Rating, 5 VDC Coil Voltage, SCHRACK Power PCB Relay RZ

[View on TE.com >](#)



Relays & Contactors > Electromechanical Relays



Relay & Contactor Type: **General Purpose Power Relay**

Current Type: **DC**

Coil Magnetic System: **Monostable**

Contact Arrangement: **1 Form A SPST-NO**

Contact Current Rating: **12 A**

Features

Product Type Features

Relay & Contactor Type	General Purpose Power Relay
------------------------	-----------------------------

Configuration Features

Contact Number of Poles	1
Coil Special Features	UL Coil Insulation Class F
Contact Arrangement	1 Form A SPST-NO

Electrical Characteristics

Contact Switching Voltage (Max)	400 VAC
Coil Resistance	60 Ω
Contact Current Rating	12 A
Coil Voltage Rating	5 VDC
Contact Voltage Rating	250 VAC
Coil Power Rating DC	.42 W
Insulation Initial Dielectric Between Contacts & Coil	5000 Vrms

Body Features

Enclosure Type	Flux Resistant Automatic Solder Capable
----------------	---

Contact Features

Contact Material	AgNi90/10
------------------	-----------

Termination Features



Main Termination & Connection Type	Solder Pins
------------------------------------	-------------

Coil Termination & Connection Type	Solder Pins
------------------------------------	-------------

Mechanical Attachment

Product Mount Type	Board Mount
--------------------	-------------

Dimensions

Insulation Clearance Between Contact & Coil	10 mm[.394 in]
---	----------------

Insulation Creepage Between Contact & Coil	10 mm
--	-------

Product Width	12.7 mm[.5 in]
---------------	----------------

Product Length	29 mm[1.14 in]
----------------	----------------

Product Height	15.7 mm[.618 in]
----------------	------------------

Usage Conditions

Operating Temperature Range	-40 – 85 °C[-40 – 185 °F]
-----------------------------	---------------------------

Environmental Category of Protection	RTII
--------------------------------------	------

Environmental Ambient Temperature (Max)	85 °C[185 °F]
---	---------------

Operation/Application

Solder Process	Wave Solder Capable
----------------	---------------------

Current Type	DC
--------------	----

Coil Magnetic System	Monostable
----------------------	------------

Packaging Features

Packaging Method	Carton
------------------	--------

Other

Coil Power Rating Class	.4 – .5 W
-------------------------	-----------

Contact Current Class	10 – 20 A
-----------------------	-----------

Environmental Ambient Temperature Class	70 – 85 °C
---	------------

Height Class (Mechanical)	15 – 16 mm
---------------------------	------------

Length Class (Mechanical)	25 – 30 mm
---------------------------	------------

Width Class (Mechanical)	12 – 16 mm
--------------------------	------------

Product Compliance

For compliance documentation, visit the product page on [TE.com](https://www.te.com)>

EU RoHS Directive 2011/65/EU	Compliant
------------------------------	-----------

EU ELV Directive 2000/53/EC	Compliant
-----------------------------	-----------




China RoHS 2 Directive MIIT Order No 32, 2016	No Restricted Materials Above Threshold
EU REACH Regulation (EC) No. 1907/2006	Current ECHA Candidate List: JAN 2025 (247) Candidate List Declared Against: JAN 2025 (247) Does not contain REACH SVHC
Halogen Content	Not Low Halogen - contains Br or Cl > 900 ppm.
Solder Process Capability	Wave solder capable to 265°C

Product Compliance Disclaimer

This information is provided based on reasonable inquiry of our suppliers and represents our current actual knowledge based on the information they provided. This information is subject to change. The part numbers that TE has identified as EU RoHS compliant have a maximum concentration of 0.1% by weight in homogenous materials for lead, hexavalent chromium, mercury, PBB, PBDE, DBP, BBP, DEHP, DIBP, and 0.01% for cadmium, or qualify for an exemption to these limits as defined in the Annexes of Directive 2011/65/EU (RoHS2). Finished electrical and electronic equipment products will be CE marked as required by Directive 2011/65/EU. Components may not be CE marked. Additionally, the part numbers that TE has identified as EU ELV compliant have a maximum concentration of 0.1% by weight in homogenous materials for lead, hexavalent chromium, and mercury, and 0.01% for cadmium, or qualify for an exemption to these limits as defined in the Annexes of Directive 2000/53/EC (ELV). Regarding the REACH Regulation, the information TE provides on SVHC in articles for this part number is based on the latest European Chemicals Agency (ECHA) 'Guidance on requirements for substances in articles' posted at this URL: <https://echa.europa.eu/guidance-documents/guidance-on-reach>

Compatible Parts



TE Part # CAT-SCH691-R997
PCB Power Relay: 12-16 Amp, Monostable



TE Part # 1860990-1
RT78601, RELAY SOCKET PCB 3.5MM



TE Part # 2-1393239-3
RT134005



TE Part # 8-1415035-1
RT78724

Also in the Series | SCHRACK Power PCB Relay RZ



DC Relays(83)



Electromechanical Relays(83)

Customers Also Bought



TE Part #2-2176400-5
3540 10R 1%



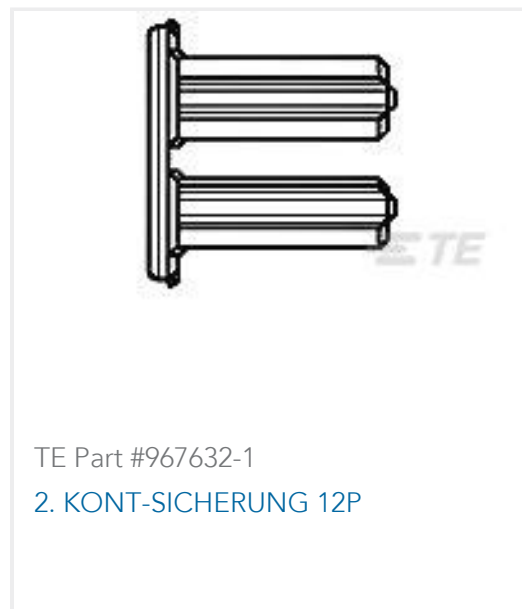
TE Part #2337857-1
VERTICAL USB TYPE-C REC



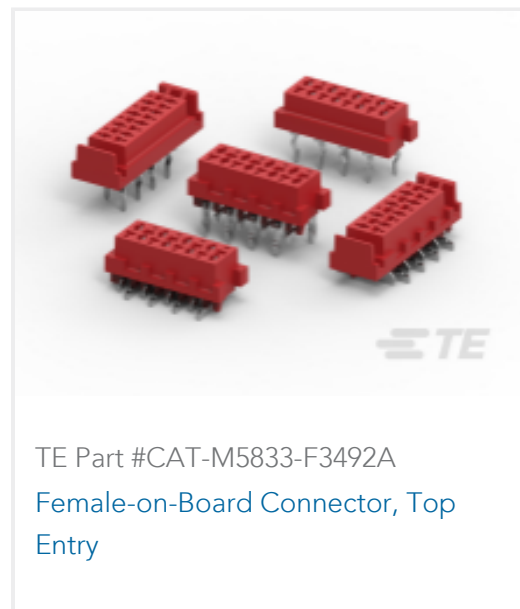
TE Part #CAT-T4827-CH8172
Timer Connector Housing



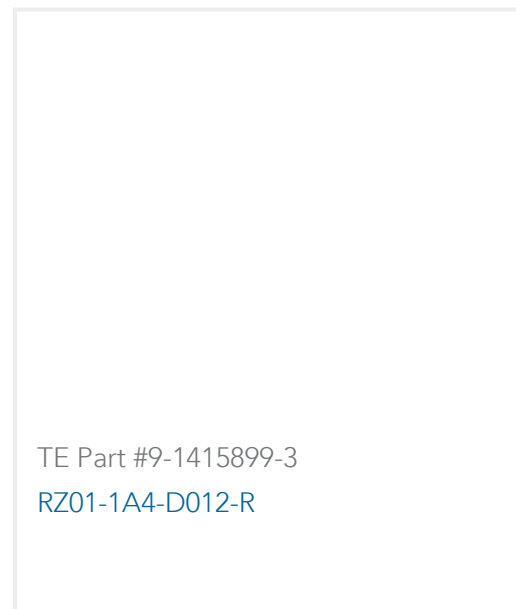
TE Part #5-2301995-3
RJ45 JACK INT.MAG. 10/100 LED 1X1
VERT.



TE Part #967632-1
2. KONT-SICHERUNG 12P



TE Part #CAT-M5833-F3492A
Female-on-Board Connector, Top
Entry



TE Part #9-1415899-3
RZ01-1A4-D012-R

Documents

CAD Files

Customer View Model

[ENG_CVM_CVM_3-2158000-5_C.3d_igs.zip](#)

English

Customer View Model

[ENG_CVM_CVM_3-2158000-5_C.3d_stp.zip](#)

English

Customer View Model

[ENG_CVM_CVM_3-2158000-5_C.2d_dxf.zip](#)

English

3D PDF

3D

By downloading the CAD file I accept and agree to the [Terms and Conditions](#) of use.

Datasheets & Catalog Pages

Power PCB Relay RZ Datasheet

English

Product Specifications

Definitions General Purpose Relays

English

Agency Approvals

VDE Certificate

English