

3-1447221-5 ✓ ACTIVE

AMP | SUPERSEAL 1.0mm

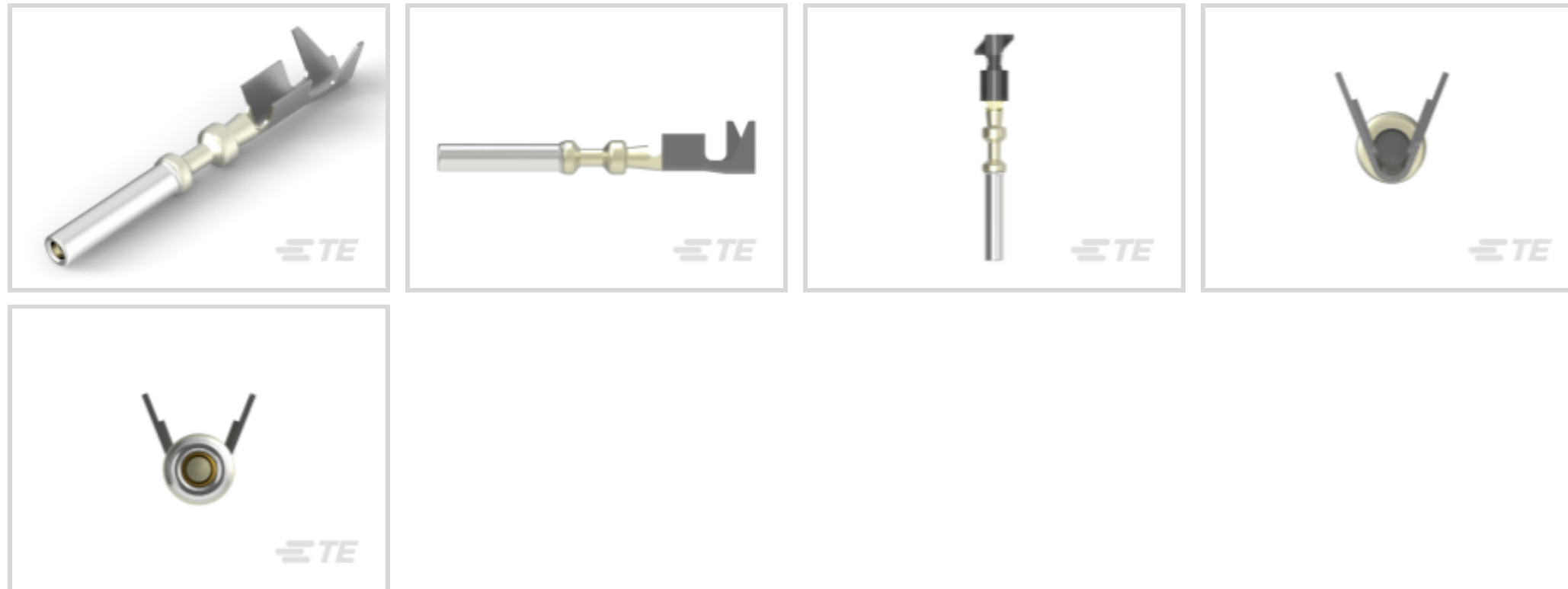
TE Internal #: 3-1447221-5

Receptacle Terminal, 22 AWG, .3 – .35 mm² Wire, Gold (Au),
Sealable, 1 mm [.039 in] Pin Diameter, Family Seal, Terminates To
Wire, SUPERSEAL 1.0mm

[View on TE.com >](#)



Terminals & Splices > Automotive Terminals > SUPERSEAL Connector Contacts: 1.0 mm



Terminal Type: **Receptacle**

Wire Size: **22 AWG**

Interface Plating: **Gold (Au)**

Primary Locking Feature: **Clean Body**

[All SUPERSEAL Connector Contacts: 1.0 mm \(10\)](#)

Features

Product Type Features

Primary Locking Feature	Clean Body
Sealable	Yes

Body Features

Terminal Seal Type	Family Seal
--------------------	-------------

Contact Features

Crimp Type	F-Crimp
Contact Size	1mm
Contact Fabrication	Stamped & Formed
Terminal Type	Receptacle
Interface Plating	Gold (Au)
Mating Pin Diameter	1 mm [.039 in]

Termination Features

Termination Method to Wire & Cable	Crimp
------------------------------------	-------



Product Terminates To

Wire

Dimensions

Wire Size

22 AWG

Wire Size Search

.3 mm², .35 mm²

Usage Conditions

Insulation Option

Uninsulated

Operating Temperature (Max)

125 °C[257 °F]

Operating Temperature Range

-40 – 125 °C[-40 – 257 °F]

Packaging Features

Packaging Method

Reel

Packaging Quantity

7000

Other

Terminal Transmits

0 – 24 A (Low Power)

Product Compliance

[For compliance documentation, visit the product page on TE.com>](#)

EU RoHS Directive 2011/65/EU

Compliant

EU ELV Directive 2000/53/EC

Compliant

China RoHS 2 Directive MIIT Order No 32, 2016

No Restricted Materials Above Threshold

EU REACH Regulation (EC) No. 1907/2006

Current ECHA Candidate List: JAN 2025 (247)

Candidate List Declared Against: JUNE 2024 (241)

Does not contain REACH SVHC

Halogen Content

Low Halogen - Br, Cl, F, I < 900 ppm per homogenous material. Also BFR/CFR/PVC Free

Solder Process Capability

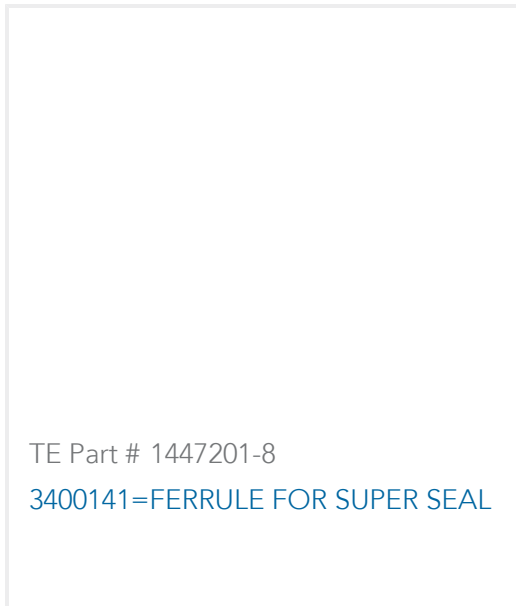
Not applicable for solder process capability

Product Compliance Disclaimer

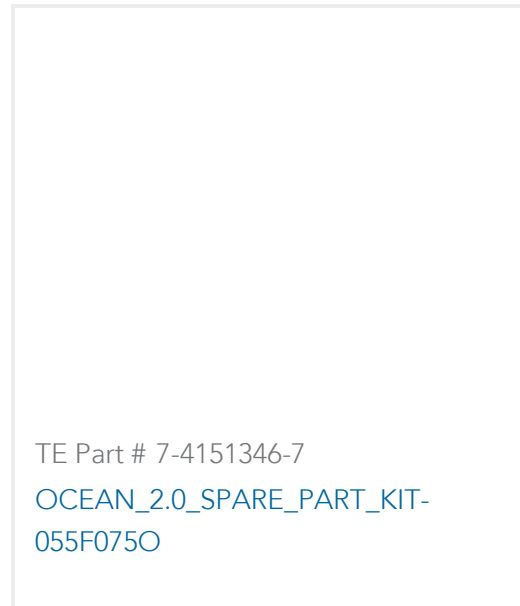
This information is provided based on reasonable inquiry of our suppliers and represents our current actual knowledge based on the information they provided. This information is subject to change. The part numbers that TE has identified as EU RoHS compliant have a maximum concentration of 0.1% by weight in homogenous materials for lead, hexavalent chromium, mercury, PBB, PBDE, DBP, BBP, DEHP, DIBP, and 0.01% for cadmium, or qualify for an exemption to these limits as defined in the Annexes of Directive 2011/65/EU (RoHS2). Finished electrical and electronic equipment products will be CE marked as required by Directive 2011/65/EU. Components may not be CE marked. Additionally, the part numbers that TE has identified as EU ELV compliant have a maximum concentration of 0.1% by weight in homogenous materials for lead, hexavalent chromium, and mercury, and 0.01% for cadmium, or qualify for an exemption to these limits as defined in the Annexes of Directive 2000/53/EC (ELV). Regarding the REACH Regulation, the information TE provides on SVHC in articles for this part number is based on the latest European Chemicals Agency (ECHA) 'Guidance on

requirements for substances in articles' posted at this URL: <https://echa.europa.eu/guidance-documents/guidance-on-reach>

Compatible Parts



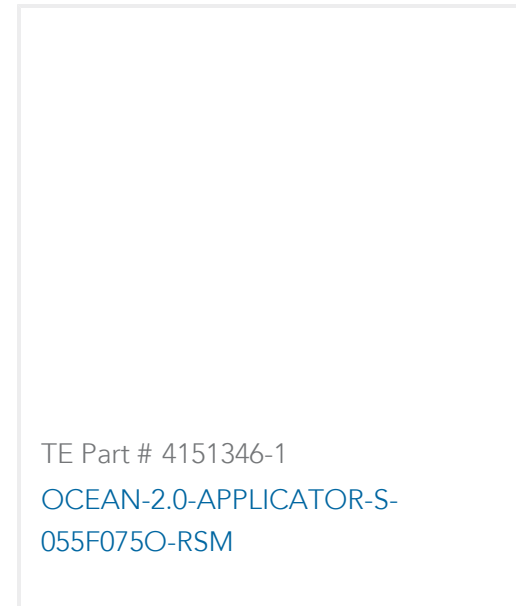
TE Part # 1447201-8
3400141=FERRULE FOR SUPER SEAL



TE Part # 7-4151346-7
OCEAN_2.0_SPARE_PART_KIT-055F075O



TE Part # 4151346-2
OCEAN-2.0-APPLICATOR-S-055F075O-RSA

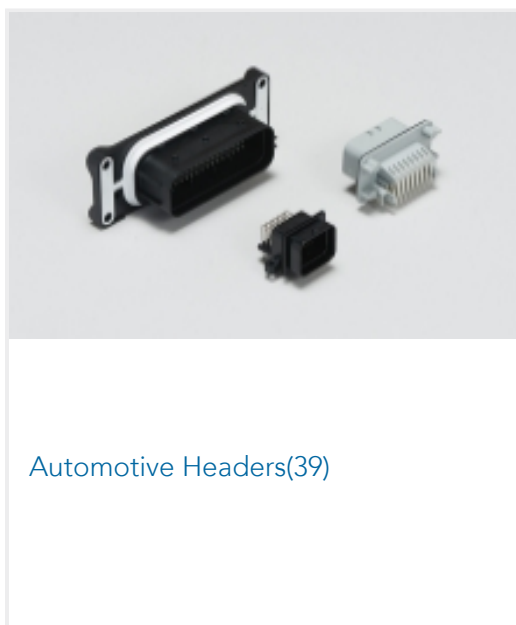


TE Part # 4151346-1
OCEAN-2.0-APPLICATOR-S-055F075O-RSM

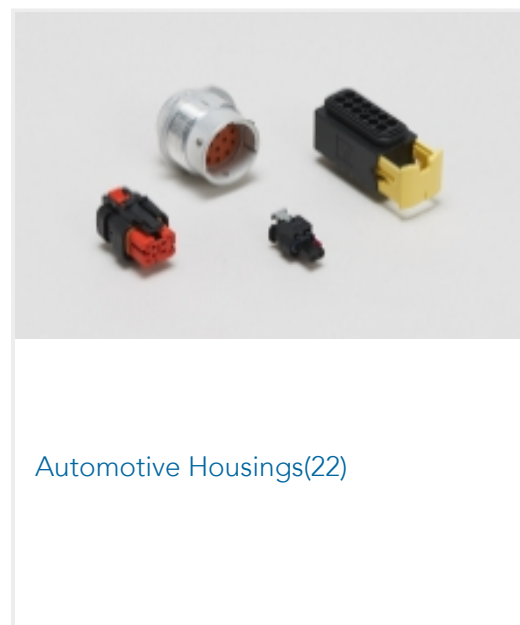


TE Part # 1729173-1
SAHT SUPER SEAL REC 22 ASSY

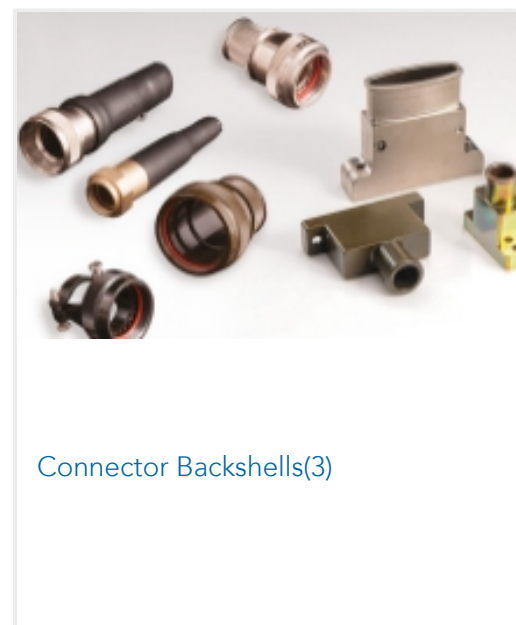
Also in the Series | SUPERSEAL 1.0mm



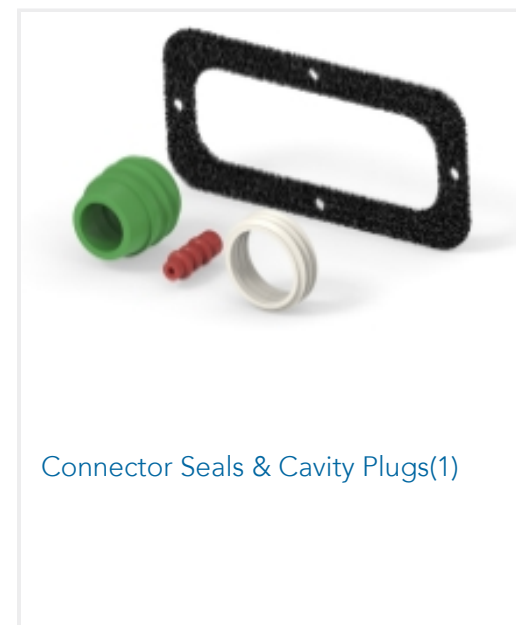
Automotive Headers(39)



Automotive Housings(22)



Connector Backshells(3)



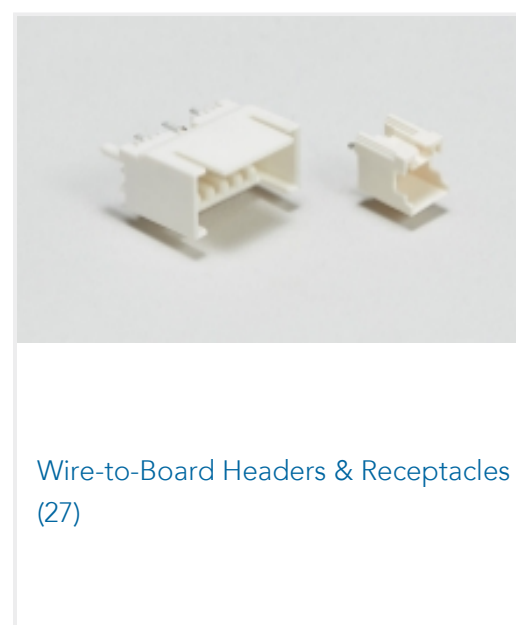
Connector Seals & Cavity Plugs(1)



PCB Headers & Receptacles(39)



Rectangular Backshells & Clamps(3)

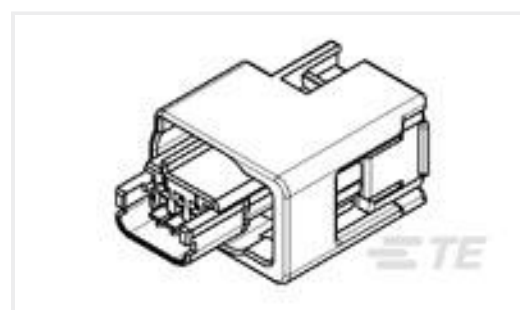


Wire-to-Board Headers & Receptacles (27)

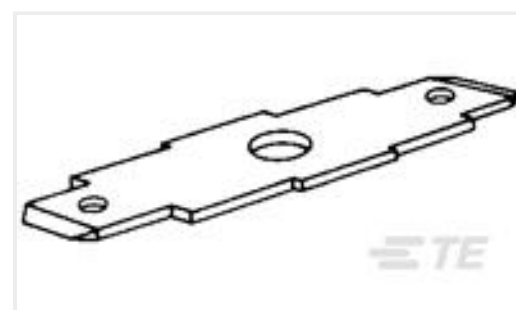
Customers Also Bought



TE Part #CV7360-000
202K121-25L-0



TE Part #1438454-1
0.64MM,3 POSN SEALED PLUG ASSY



TE Part #60920-1
187 FASTON TAB BR



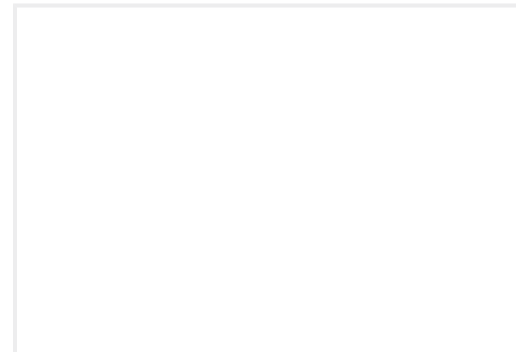
TE Part #2141994-1
10POS,TAB 0.63X0.64,PIN HSG,ASSY



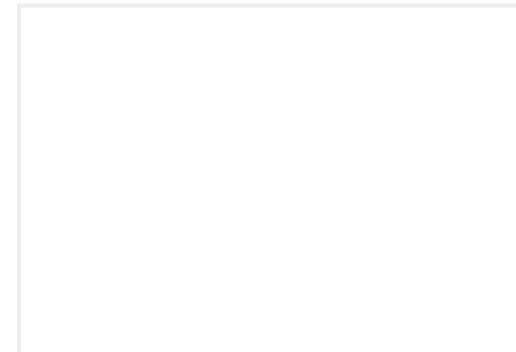
TE Part #CAT-SU763-CH8172
SUPERSEAL Connector Housings: 1.0
mm



TE Part #CAT-SU763-T273
SUPERSEAL Connector Contacts: 1.0
mm



TE Part #021915-000
202A132-15-CS-2067-0



TE Part #517053-000
202A121-15-CS-2067-0

Documents

Product Drawings

[S/S REC CONTACT ASSY, AU, 0.3](#)

Japanese

CAD Files

[3D PDF](#)

3D

Customer View Model

[ENG_CVM_CVM_3-1447221-5_C.2d_dxf.zip](#)

English

Customer View Model

[ENG_CVM_CVM_3-1447221-5_C.3d_igs.zip](#)

English

Customer View Model

[ENG_CVM_CVM_3-1447221-5_C.3d_stp.zip](#)

English

By downloading the CAD file I accept and agree to the [Terms and Conditions](#) of use.

Datasheets & Catalog Pages

[AMP SUPERSEAL 1.0 mm Connector System](#)

English

Product Specifications

[Application Specification](#)

Japanese

Instruction Sheets

[Instruction Sheet \(non U.S.\)](#)



English

[SUPER SEAL CONNECTOR PLUG HOUSING CONNECTOR](#)

English

[Straight Action Hand Tool for Super Seal Receptacle Contact](#)

Japanese

[Instruction Sheet \(non U.S.\)](#)

Japanese